



akpen®

New Line

TECHNICAL PRODUCT CATALOG

UPVC & ALUMINIUM
WINDOW & DOOR
ACCESSORIES



www.akpennew.com





akpen[®]
New Line

“COOPERATION”



30 yıl
years

www.akpennew.com

INFO.....	01-06
TILT AND TURN SYSTEMS.....	07-47
TILT AND SLIDE SYSTEMS.....	48-65
MULTIPOINT LOCKS.....	66-77
TURN - ONLY SYSTEMS.....	78-86
MORTICE LOCKS.....	87-95
MINI LOCK SET.....	96-97
HINGES.....	98-107
HANDLES.....	108-139
SAFETY LATCHES.....	140-141
OTHER HANDLES.....	142-145
STRIKERS.....	146-147
MULLION CONNECTORS.....	148-151
LOCKING PLATES.....	152
TRANSOM GROUP.....	153
SLIDING ACCESSORIES	154
FLYSCREEN ACCESSORIES.....	155
SCREWS GROUP.....	156
INSULATING GLASS GROUP.....	157
OTHER ACCESSORIES.....	158
ALUMINIUM GROUP.....	159-167



About Us

Our company started its activities with a small workshop in 1988. Nowadays, our company exports to 40 countries employing 370 people and manufacturing products in 26.000 square meters modern and high technology contained closed area factory located in Istanbul Hadimkoy.

Company Akpen, which has adopted the principle of Sustainable Quality Approach and Maximum Customer Satisfaction, has continued its investments in the field of automation and production technologies since 2010 and has become a brand frequently mentioned in the sector with its environmentally friendly high-tech production techniques and developed products.

With more than 30 years of manufacturing experience and experienced staff, it has achieved its goals. Akpen continues to lead his new targets without slowing down and is moving forward with sure steps towards becoming a worldwide known brand.



Akpen Plastik Pencere Aksesuarları Nakliye San. İç ve Dış Tic. A.Ş. proves its product and service quality with its national and international gained certificates and documents.

In case of any quality document needs; please contact with us.



Conditions For Warranty

Turn and turn-tilt fittings for windows and patio doors

According to the current product liability legislation dealing with a manufacturer's liability for his products please observe the following information on turn and turn-tilt fittings for window and patio door sashes. The manufacturer will not accept any liability for noncompliance with these specifications.

1. Product Information and intended use Turn and turn-tilt fittings within the meaning of this definition are single handle turn-tilt fittings for windows and patio doors as used in building applications. These interact with a manually operated handle to bring windows and window sashes into a turn or a tilt position as defined by the design of the shears. Turn and turn-tilt fittings are used on vertical installation windows and patio doors made of wood, PVC-U, aluminium or steel and corresponding combinations of materials. Standard turntilt fittings within the meaning of this definition are used for securing window and patio door sashes and to position them in different ventilation positions. Normally it is necessary to overcome the counter force of a seal when closing. Any other type of usage is not in accordance with the intended application. Windows and patio doors for special applications (i.e. burglarresistance or for installation in humid conditions / in environments with corrosive atmospheric substances) require special fittings with separately agreed performance criteria, designed for the particular application. Open window and patio door sashes only have a protective function and do not meet requirements in terms of joint sealing, watertightness under heavy rain, sound proofing, heat insulation or burglar resistance. When it is windy or draughty, windows and window sashes need to be closed and locked. Windy or draughty as used in this definition means conditions when window or patio door sashes open or close unexpectedly by themselves as a result of air pressure or suction. A fixed open position of the window or patio door sashes can only be achieved by means of supplementary locking fittings. Resistance to loads imposed by wind on closed and locked windows depends on the design and construction of the individual windows / patio doors concerned. If wind stresses to DIN EN 12210 (pressure level p3 in particular) have to be withstood, suitable combinations of fittings must be designed and agreed separately for the design of window and frame material concerned. In general, the turn and turn-tilt fittings are able to meet the requirements to DIN 18025 relating to low-threshold design of flats. However, in this case special combinations and assembly of fittings are needed which must be adjusted and approved separately.

2. Misuse

Misuse – i.e. the use of a product in a manner contrary to the manufacturer's instructions – of turn-tilt fittings for windows and patio doors occurs

- if obstacles are placed in the opening area preventing the intended use.
- if sashes of window / patio doors are pushed or hit against the window reveal, either contrary to the manufacturer's instructions or in an uncontrolled way (e.g. by wind), that the fittings, the frame materials or other individual parts of the window sash or the patio door sash are damaged or destructed or subsequent damage occurs.

- if additional loads act on the sashes of windows or patio doors (e. g. children swinging on them).
- if someone grasps in the gap between the frame and sash when closing the window (risk of injury).

3. Liability

All fittings must be selected from the original fitting component range. We accept no liability in case of use of third party or non-approved system components.

Attention: The screw / clamping connection of fitting components, such as corner, shear and sash hinges, must be designed according to the TBDK guidelines. Please adapt the fixing procedure to the load situation.

4. Product Capabilities - Application instructions of the manufacturer The maximum sash weights for the individual types of fitting must not be exceeded. The component with the lowest permissible loading capacity determines the maximum weight of the sash. Please observe the diagrams and component installation instructions.

4.1 Sash sizes and areas of application

The graphs in the application diagram show the permitted sash rebate height to width ratios, as determined by different weights of glass and/or overall glass thicknesses. The resulting sash rebate dimensions or sash formats (portrait / landscape) and the maximum sash weight must under no circumstances be exceeded.

4.2 Application diagram for determination of the permissible sash sizes The application diagrams for this fitting series for the determination of permissible sash sizes are described and explained separately on the following pages!

4.3 Composition of fittings

You must comply with the manufacturer's specifications regarding the configuration of fittings (e.g. the use of additional shears, the layout of fittings for burglary-resistant windows and patio door sashes, etc.).

5. Product maintenance

Security-relevant fitting parts are to be inspected at least once a year to check for wear and to ensure they are firmly secured in position. Fastening screws must be tightened and faulty components must be replaced as required. The following servicing work must also be carried out at least once a year. All mobile parts and locking points for fittings should be greased and tested for function. Only oils and greases not affecting the materials of the fitting may be used. The only cleaning and maintenance materials to be used are those which will not adversely affect the corrosion-resistant properties of the fittings components. Adjustment work to the fittings particularly in the area of the corner drive and the shears as well as the replacement of parts and mounting and removal of opening sashes must be carried out by a trained specialist. General product information

5.1 Maintaining surface quality

- The fittings and rebate spaces must be adequately ventilated, particularly during the construction stage, so that they are not exposed to the direct effects of moisture or condensation. It must be ensured in any case by appropriate measures that there is no possibility for (permanently) humid room air to condense in the

rebate area.

- The fittings must be kept free from deposits and soiling due to building materials (building dust, gypsum plaster, cement etc.). Possible soiling from plaster, mortar etc. must be removed prior to bonding with water.

- Corrosive vapours (e.g. formic acid, acetic acid, ammonia, amine and ammonia compounds, aldehydes, phenols, chlorine, tannic acid etc.) in the rebate space combined with even a small amount of condensation can cause rapid corrosion of the fittings. Therefore, such exhalations in the area of the windows must be avoided.

- Furthermore no sealants that cure with acetic or other acids, or sealants containing any of the above-mentioned substances, must be used. Both direct contact with the sealant and vapours released from it can damage the surface.

- Only use a mild and pH neutral detergent to clean the fittings. Under no circumstances use aggressive acidic cleaners or scouring agents containing the substances listed above.

6. Obligations to give information and instructions For the implementation of information and instruction obligations as well as for the maintenance work the following documents are available. They must be submitted to (intermediate) dealers and manufacturers and to the end customer. Planning documentation Product catalogues Mounting instructions Maintenance and care instructions as well as operating instructions

7. Use of type-related fittings

The variants for the individual fitting systems (e.g. tilt and topung sash fittings or parallel action fittings providing an additional ventilation position by means of a circumferential gap all around the sash) must be used considering the product information, intended use, misuse, product capabilities, product maintenance and the obligations regarding the information and instruction.

8. Storage

Before the fitting components are assembled, they must be stored on a dry, protected and level surface.

Technical Support:

Akpen Plastik Pencere Aksesuarları
Nakliye Sanayi İç ve Dış Ticaret A.Ş.
Hadımköy Mah. Uçurtma Sk. No:6
Arnavutköy / İstanbul / Turkey
Phone : +90 212 798 34 34 PBX
Fax : +90 212 798 35 28
technicalsupport@akpennew.com

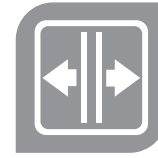
Storage & Warehouse Instructions



Do Not Stow The
Palettes
Rough-And-Tumble



Protection Against
Mechanic Damage



Leave 10cm Space
Between Palettes
When Loading And
Storage



Protection Against
Moisture

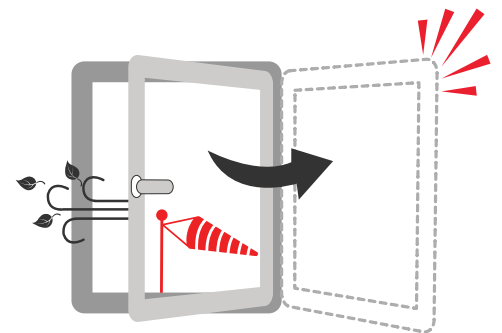
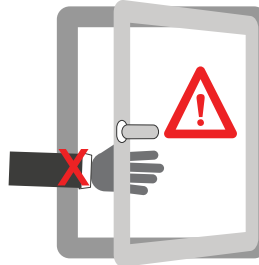
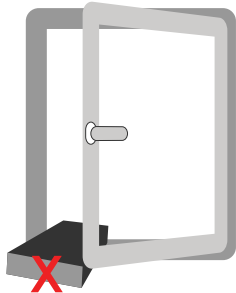
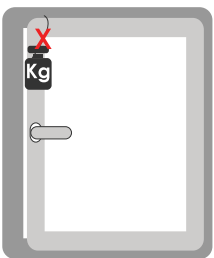


Protection Against
Dust And Dirth



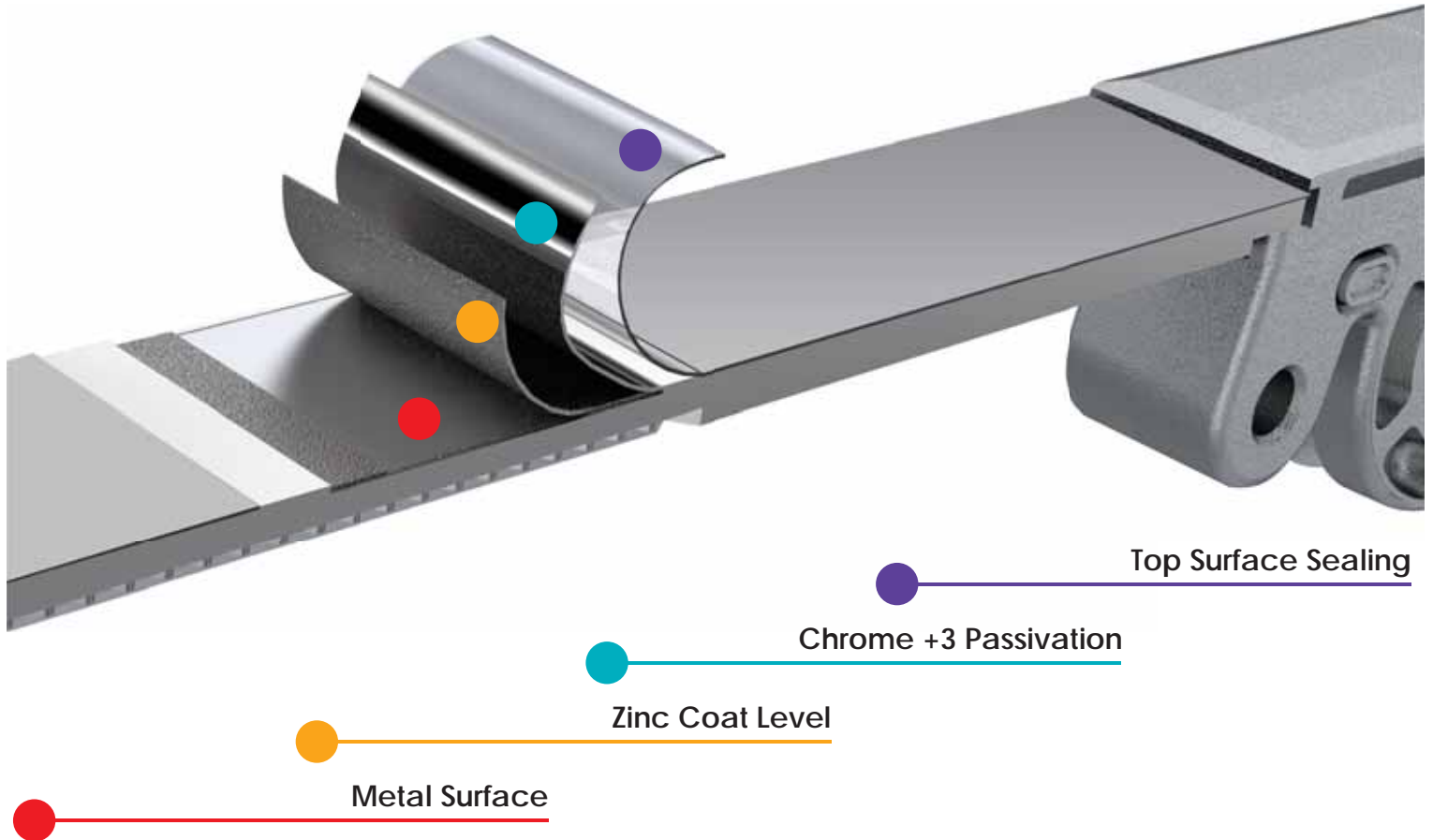
Recycle All Packing
Elements

Safety Instructions



Coating Process Information

Akpen products have maximum corrosion resistance according to EN 9727 standard.



Locking Type Options



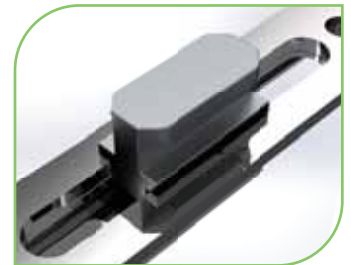
ELP
Standard Locking Point



GLP
Security Locking Point



SLP
Sliding Locking Point

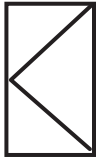


ZLP
Zinc Locking Point



Tilt And Turn Systems

Available Applications



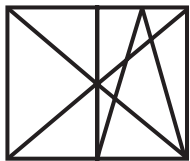
Turn Only



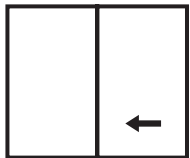
Tilt Only



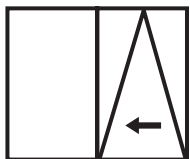
Tilt And Turn



Double Sash
(All Available)

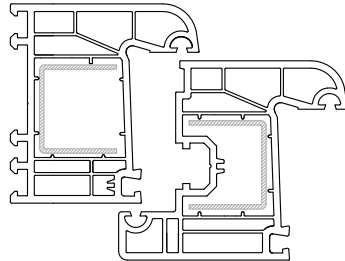


Simple Sliding

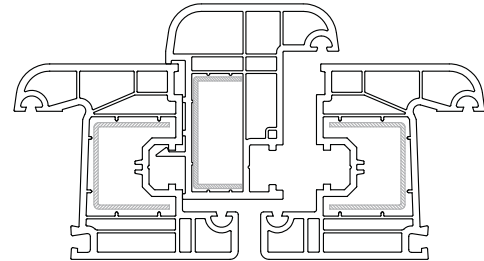


Tilt And Slide

Single Sash Construction



Double Sash Construction

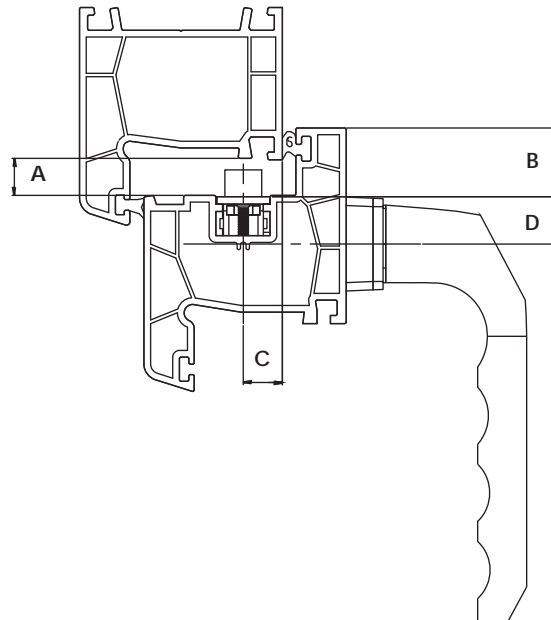


Sash Rebate Gap (A): min. 12 mm

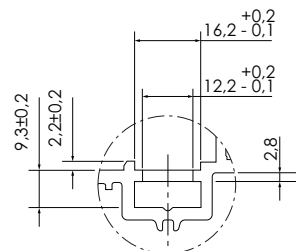
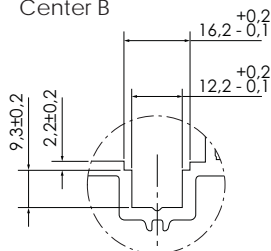
Sash Overlap (B): 20 mm

Sash Groove Position (C): 9 mm / 10 mm / 13 mm / 14 mm

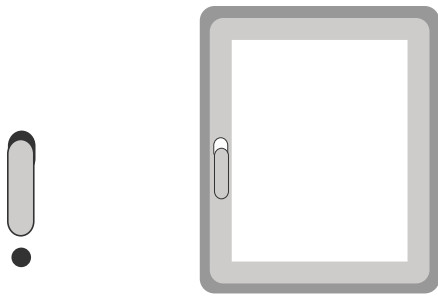
Espagnolette Backset (D): 7,5 mm / 15 mm / 30 mm



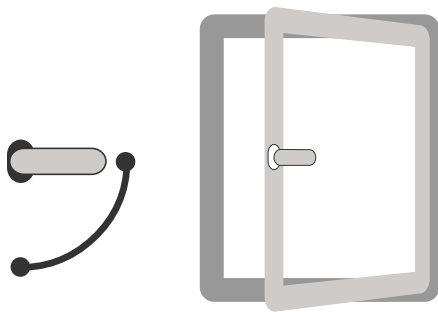
Center B



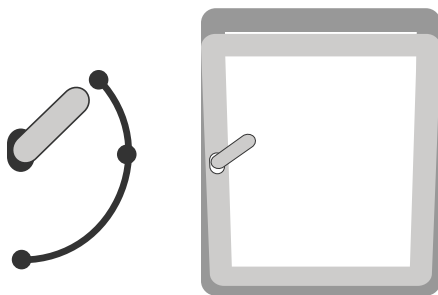
Dimensions for plastic profile according RAL as of February 1998.



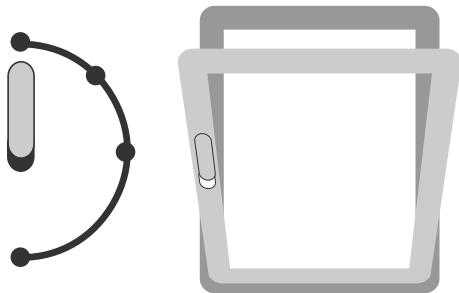
Pos-1: Closed (Locked)



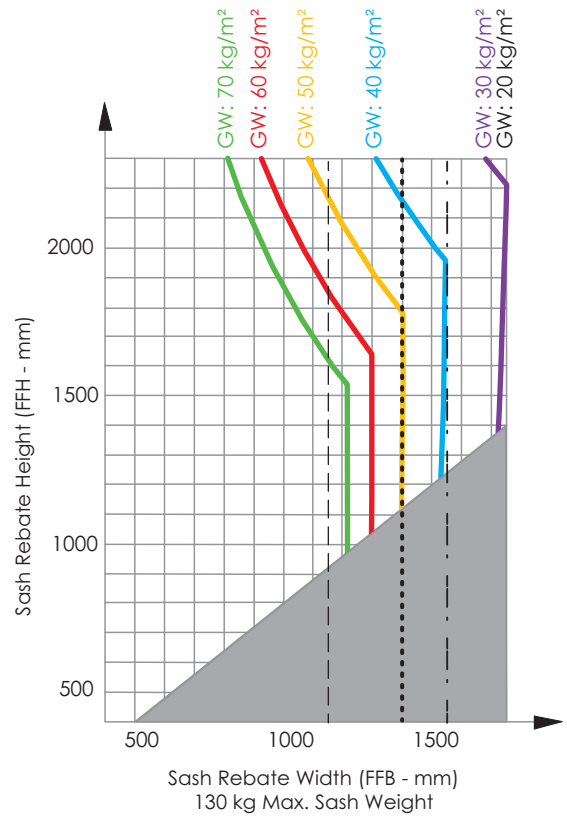
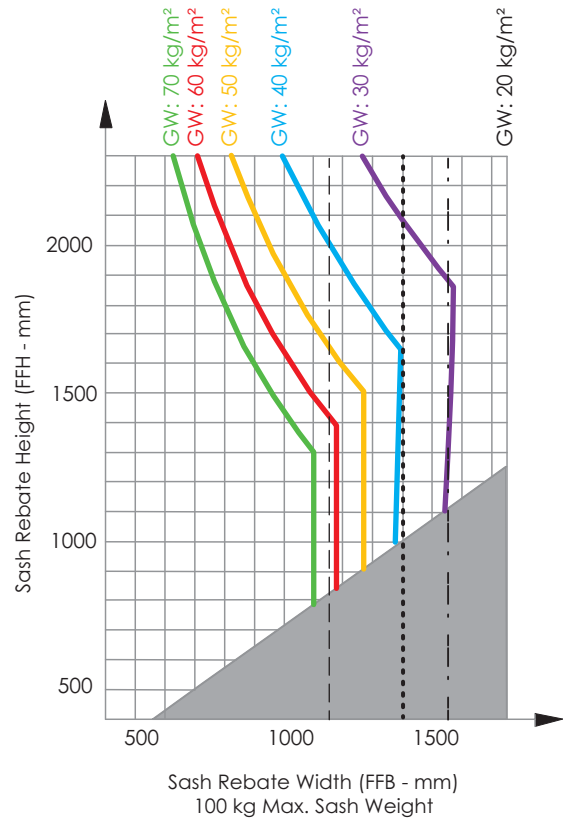
Pos-2: Turn Position



Pos-3: Ventilation Position



Pos-4: Tilt Position



Explanations:

GW: Glass Weight

1mm Thickness Of 1m² Glass Weight Is Considered As 2,5 kg

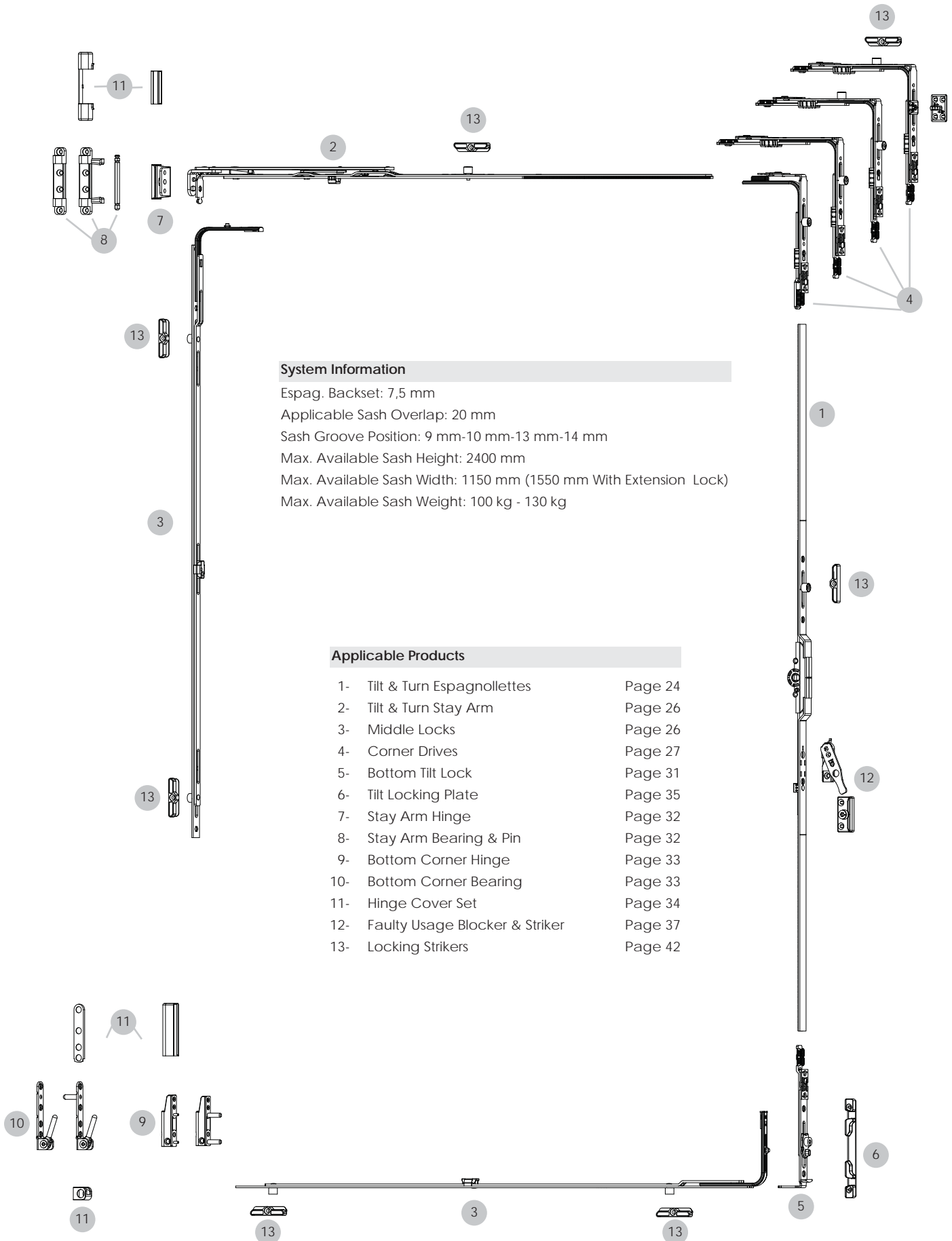
Max. Sash Rebate Width With Stay Arm (900-1150 mm)

Max. Sash Rebate Width With Stay Arm (900-1150 mm) + 250 mm Extension Gear

Max. Sash Rebate Width With Stay Arm (900-1150 mm) + 400 mm Extension Gear

Tilt And Turn Systems

7,5 mm Backset Basic Security Level

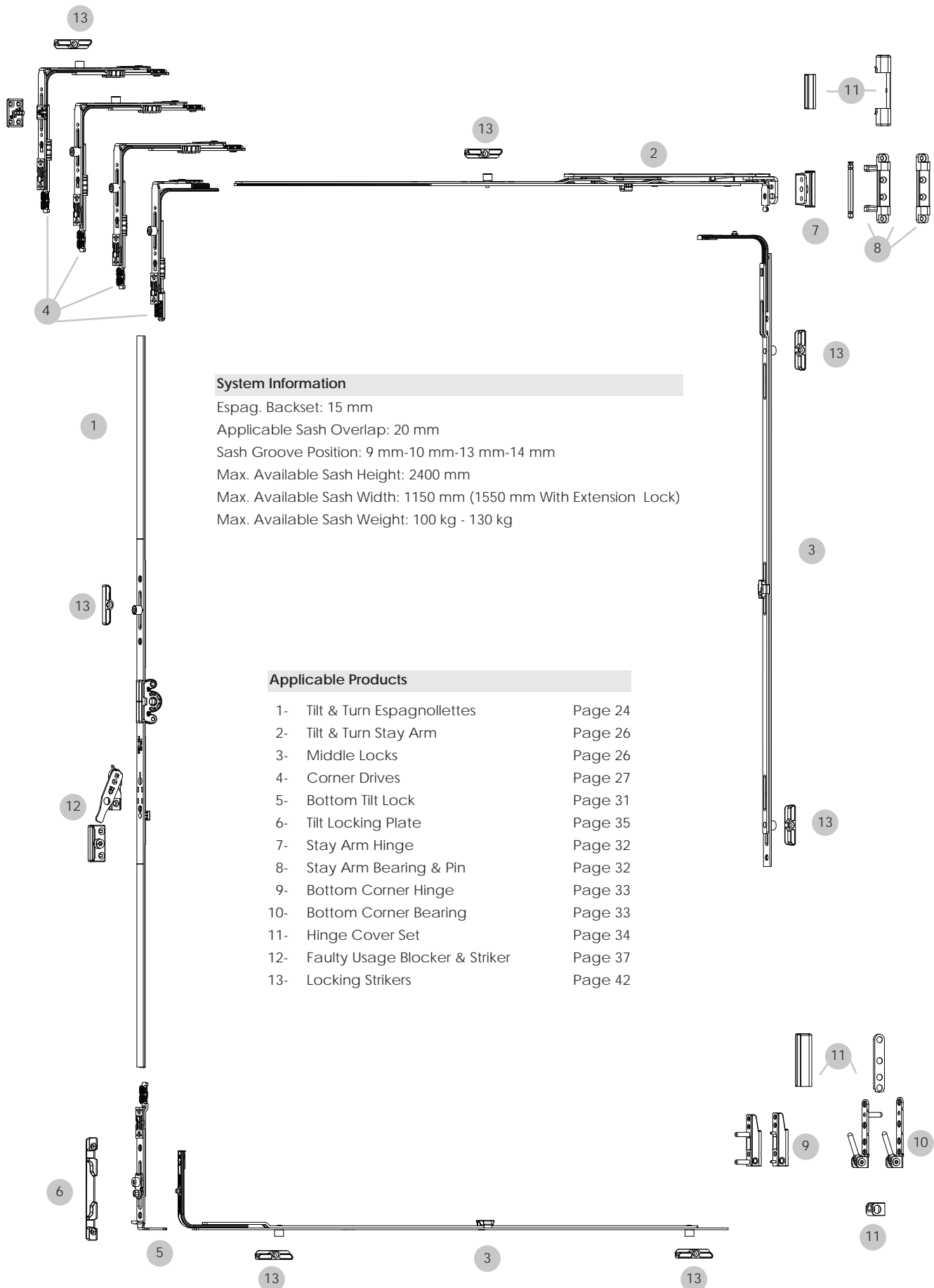


System Information

Espag. Backset: 7,5 mm
 Applicable Sash Overlap: 20 mm
 Sash Groove Position: 9 mm-10 mm-13 mm-14 mm
 Max. Available Sash Height: 2400 mm
 Max. Available Sash Width: 1150 mm (1550 mm With Extension Lock)
 Max. Available Sash Weight: 100 kg - 130 kg

Applicable Products

1- Tilt & Turn Espagnollettes	Page 24
2- Tilt & Turn Stay Arm	Page 26
3- Middle Locks	Page 26
4- Corner Drives	Page 27
5- Bottom Tilt Lock	Page 31
6- Tilt Locking Plate	Page 35
7- Stay Arm Hinge	Page 32
8- Stay Arm Bearing & Pin	Page 32
9- Bottom Corner Hinge	Page 33
10- Bottom Corner Bearing	Page 33
11- Hinge Cover Set	Page 34
12- Faulty Usage Blocker & Striker	Page 37
13- Locking Strikers	Page 42



System Information

Espag. Backset: 15 mm

Applicable Sash Overlap: 20 mm

Sash Groove Position: 9 mm-10 mm-13 mm-14 mm

Max. Available Sash Height: 2400 mm

Max. Available Sash Width: 1150 mm (1550 mm With Extension Lock)

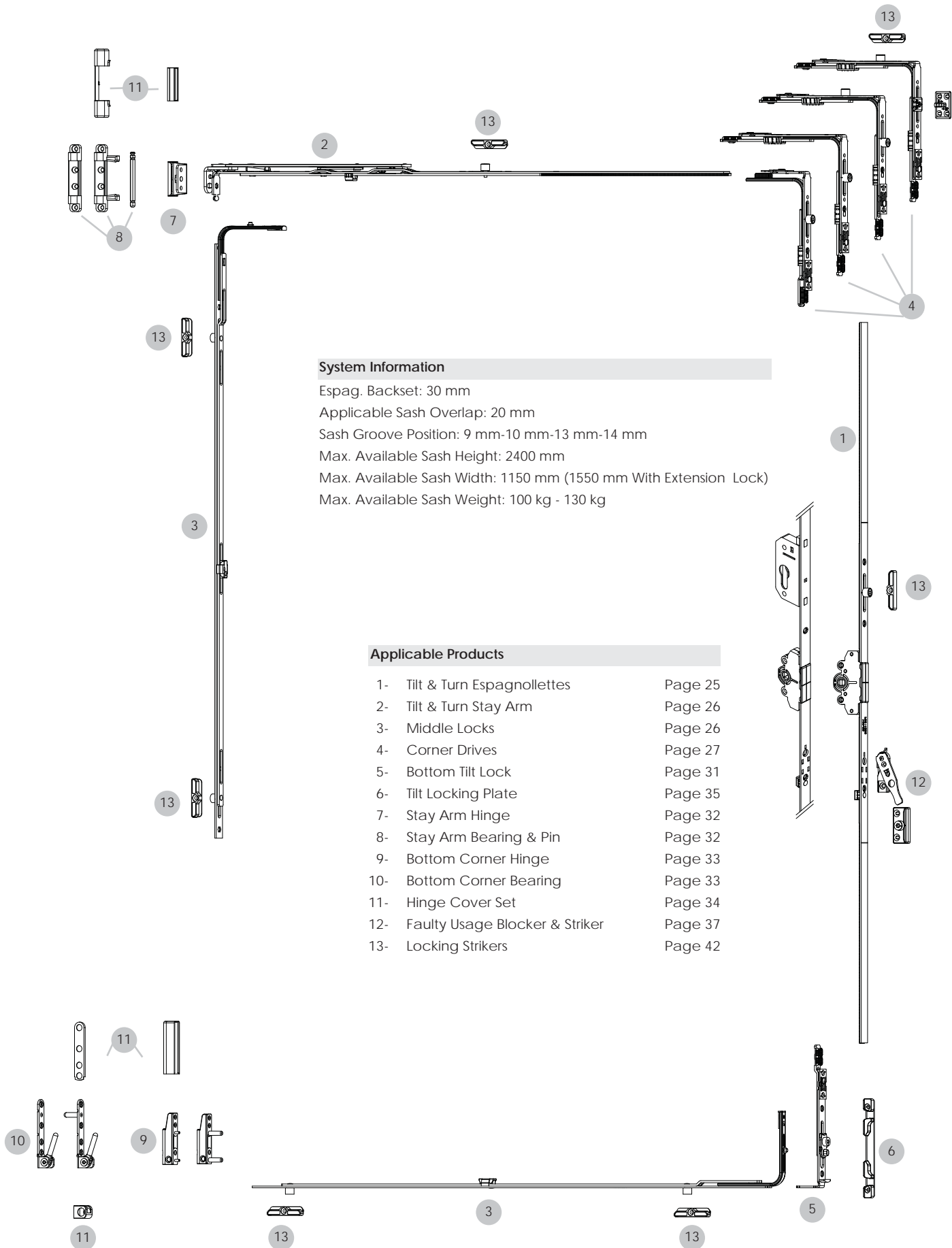
Max. Available Sash Weight: 100 kg - 130 kg

Applicable Products

1-	Tilt & Turn Espagnollettes	Page 24
2-	Tilt & Turn Stay Arm	Page 26
3-	Middle Locks	Page 26
4-	Corner Drives	Page 27
5-	Bottom Tilt Lock	Page 31
6-	Tilt Locking Plate	Page 35
7-	Stay Arm Hinge	Page 32
8-	Stay Arm Bearing & Pin	Page 32
9-	Bottom Corner Hinge	Page 33
10-	Bottom Corner Bearing	Page 33
11-	Hinge Cover Set	Page 34
12-	Faulty Usage Blocker & Striker	Page 37
13-	Locking Strikers	Page 42

Tilt And Turn Systems

● 30 mm Backset Basic Security Level

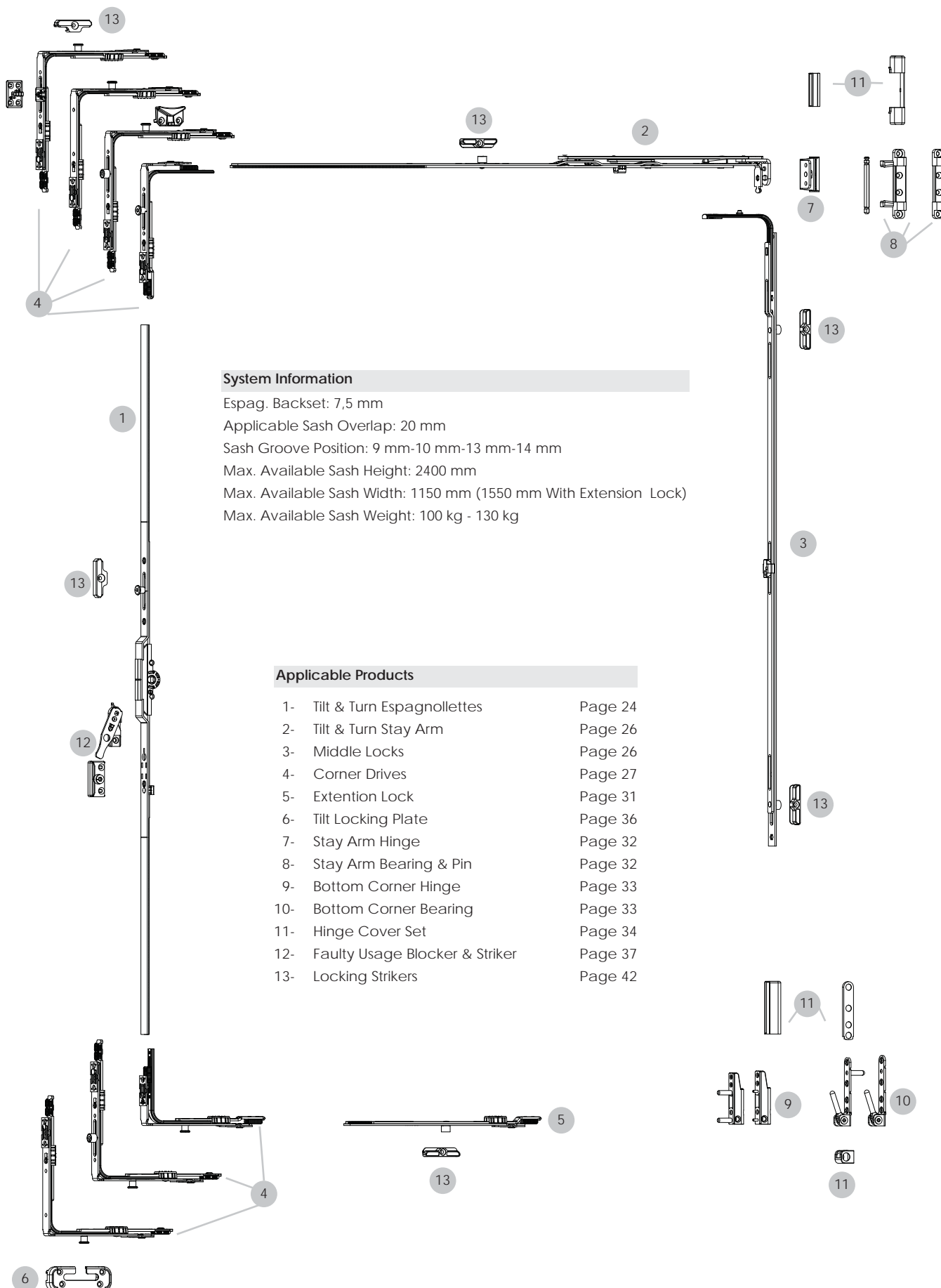


System Information

Espag. Backset: 30 mm
 Applicable Sash Overlap: 20 mm
 Sash Groove Position: 9 mm-10 mm-13 mm-14 mm
 Max. Available Sash Height: 2400 mm
 Max. Available Sash Width: 1150 mm (1550 mm With Extension Lock)
 Max. Available Sash Weight: 100 kg - 130 kg

Applicable Products

1-	Tilt & Turn Espagnollettes	Page 25
2-	Tilt & Turn Stay Arm	Page 26
3-	Middle Locks	Page 26
4-	Corner Drives	Page 27
5-	Bottom Tilt Lock	Page 31
6-	Tilt Locking Plate	Page 35
7-	Stay Arm Hinge	Page 32
8-	Stay Arm Bearing & Pin	Page 32
9-	Bottom Corner Hinge	Page 33
10-	Bottom Corner Bearing	Page 33
11-	Hinge Cover Set	Page 34
12-	Faulty Usage Blocker & Striker	Page 37
13-	Locking Strikers	Page 42



System Information

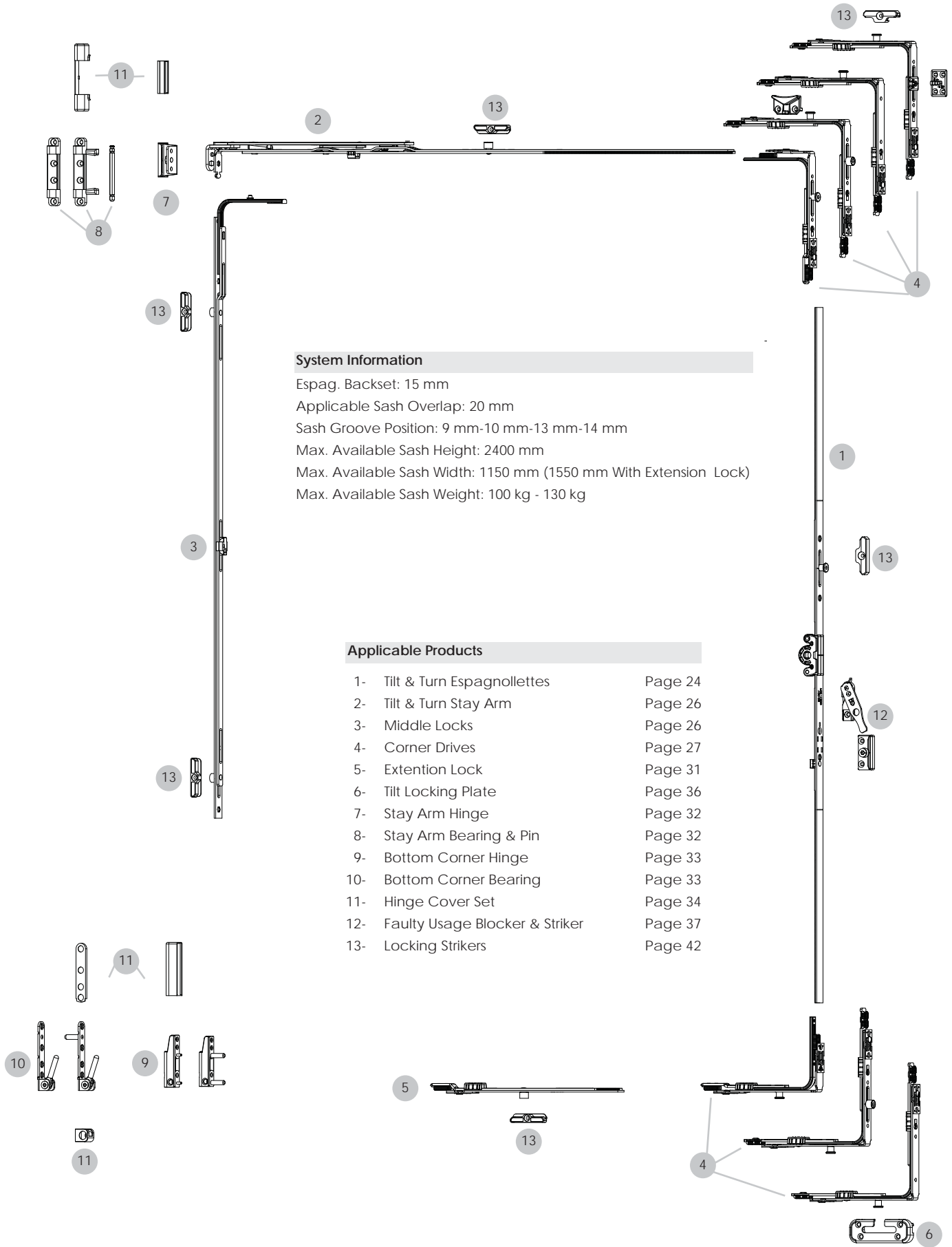
Espag. Backset: 7,5 mm
 Applicable Sash Overlap: 20 mm
 Sash Groove Position: 9 mm-10 mm-13 mm-14 mm
 Max. Available Sash Height: 2400 mm
 Max. Available Sash Width: 1150 mm (1550 mm With Extension Lock)
 Max. Available Sash Weight: 100 kg - 130 kg

Applicable Products

1-	Tilt & Turn Espagnollettes	Page 24
2-	Tilt & Turn Stay Arm	Page 26
3-	Middle Locks	Page 26
4-	Corner Drives	Page 27
5-	Extention Lock	Page 31
6-	Tilt Locking Plate	Page 36
7-	Stay Arm Hinge	Page 32
8-	Stay Arm Bearing & Pin	Page 32
9-	Bottom Corner Hinge	Page 33
10-	Bottom Corner Bearing	Page 33
11-	Hinge Cover Set	Page 34
12-	Faulty Usage Blocker & Striker	Page 37
13-	Locking Strikers	Page 42

Tilt And Turn Systems

● 15 mm Backset Medium Security Level

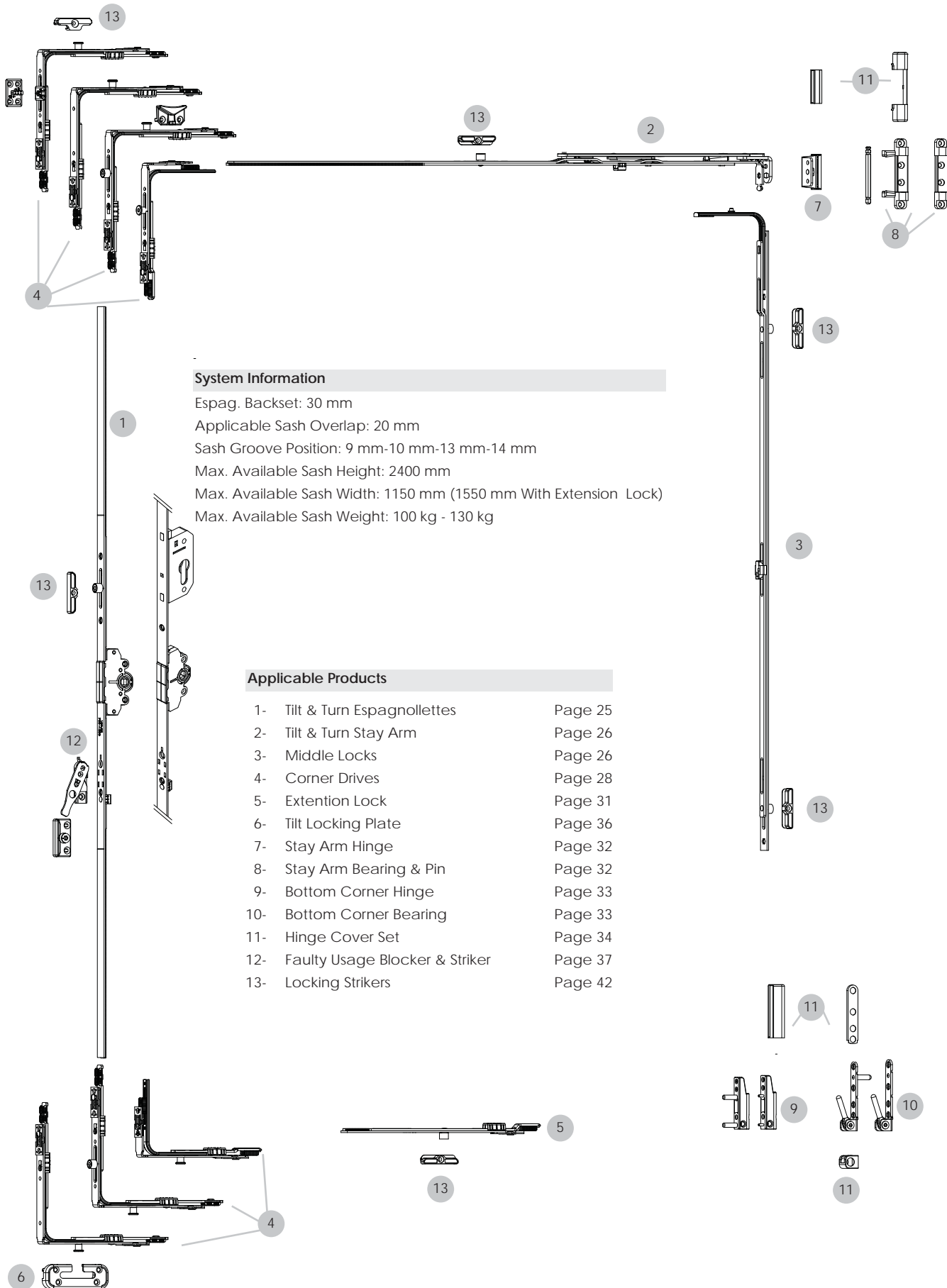


System Information

Espag. Backset: 15 mm
 Applicable Sash Overlap: 20 mm
 Sash Groove Position: 9 mm-10 mm-13 mm-14 mm
 Max. Available Sash Height: 2400 mm
 Max. Available Sash Width: 1150 mm (1550 mm With Extension Lock)
 Max. Available Sash Weight: 100 kg - 130 kg

Applicable Products

1- Tilt & Turn Espagnolettes	Page 24
2- Tilt & Turn Stay Arm	Page 26
3- Middle Locks	Page 26
4- Corner Drives	Page 27
5- Extension Lock	Page 31
6- Tilt Locking Plate	Page 36
7- Stay Arm Hinge	Page 32
8- Stay Arm Bearing & Pin	Page 32
9- Bottom Corner Hinge	Page 33
10- Bottom Corner Bearing	Page 33
11- Hinge Cover Set	Page 34
12- Faulty Usage Blocker & Striker	Page 37
13- Locking Strikers	Page 42



System Information

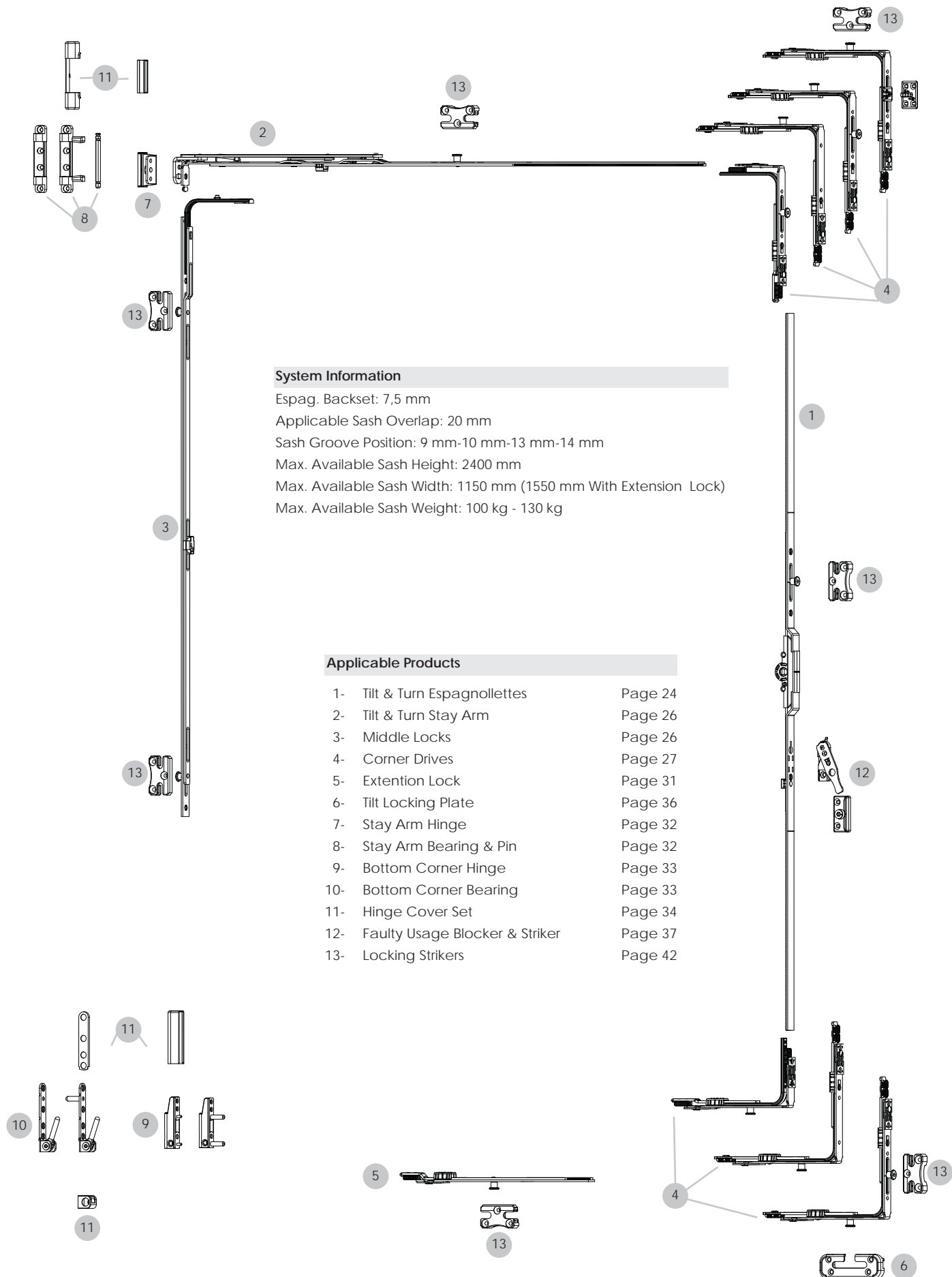
Espag. Backset: 30 mm
 Applicable Sash Overlap: 20 mm
 Sash Groove Position: 9 mm-10 mm-13 mm-14 mm
 Max. Available Sash Height: 2400 mm
 Max. Available Sash Width: 1150 mm (1550 mm With Extension Lock)
 Max. Available Sash Weight: 100 kg - 130 kg

Applicable Products

1-	Tilt & Turn Espagnollettes	Page 25
2-	Tilt & Turn Stay Arm	Page 26
3-	Middle Locks	Page 26
4-	Corner Drives	Page 28
5-	Extention Lock	Page 31
6-	Tilt Locking Plate	Page 36
7-	Stay Arm Hinge	Page 32
8-	Stay Arm Bearing & Pin	Page 32
9-	Bottom Corner Hinge	Page 33
10-	Bottom Corner Bearing	Page 33
11-	Hinge Cover Set	Page 34
12-	Faulty Usage Blocker & Striker	Page 37
13-	Locking Strikers	Page 42

Tilt And Turn Systems

● 7,5 mm Backset High Security Level

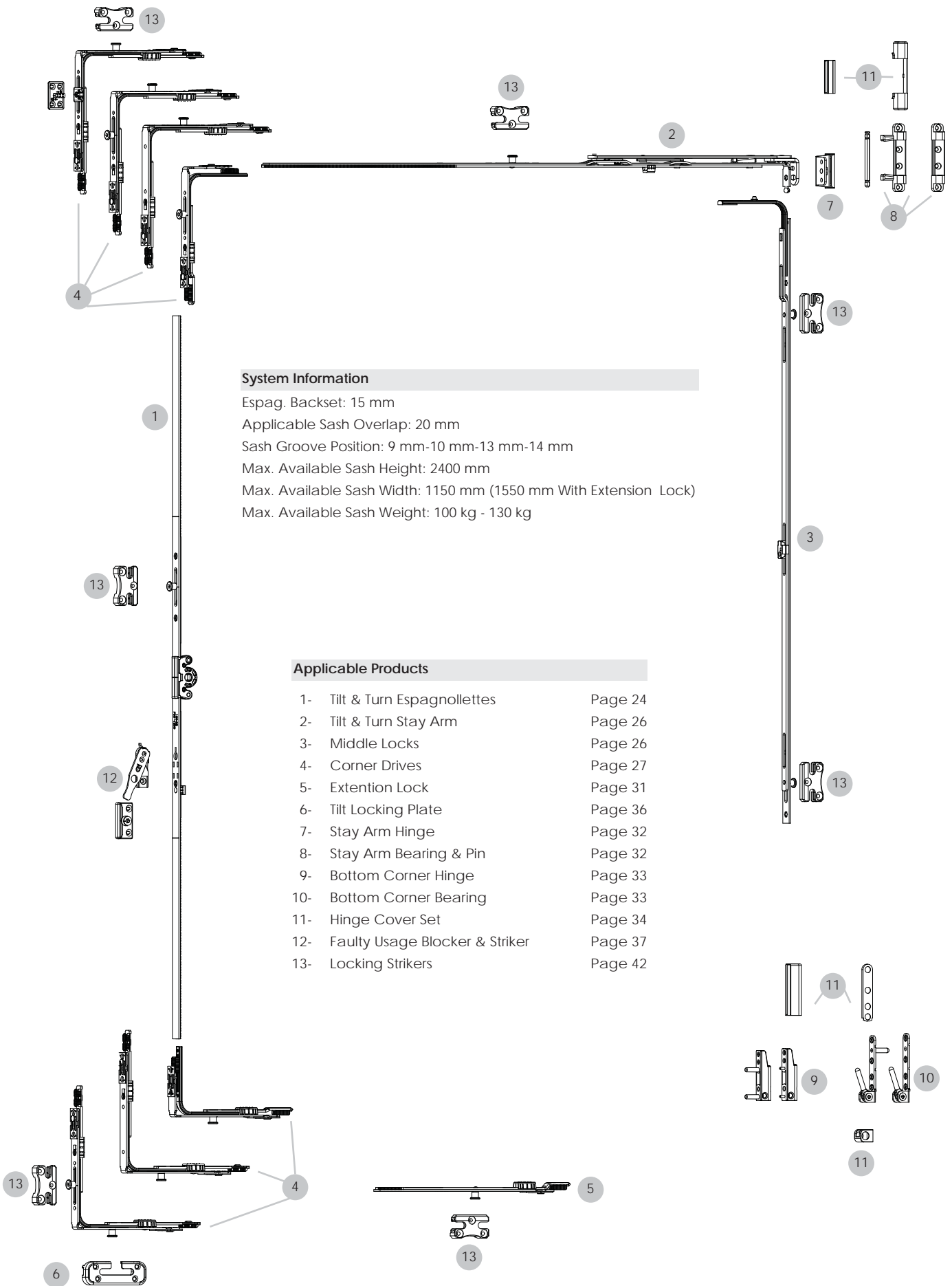


System Information

Espag. Backset: 7,5 mm
 Applicable Sash Overlap: 20 mm
 Sash Groove Position: 9 mm-10 mm-13 mm-14 mm
 Max. Available Sash Height: 2400 mm
 Max. Available Sash Width: 1150 mm (1550 mm With Extension Lock)
 Max. Available Sash Weight: 100 kg - 130 kg

Applicable Products

1-	Tilt & Turn Espagnolettes	Page 24
2-	Tilt & Turn Stay Arm	Page 26
3-	Middle Locks	Page 26
4-	Corner Drives	Page 27
5-	Extention Lock	Page 31
6-	Tilt Locking Plate	Page 36
7-	Stay Arm Hinge	Page 32
8-	Stay Arm Bearing & Pin	Page 32
9-	Bottom Corner Hinge	Page 33
10-	Bottom Corner Bearing	Page 33
11-	Hinge Cover Set	Page 34
12-	Faulty Usage Blocker & Striker	Page 37
13-	Locking Strikers	Page 42



System Information

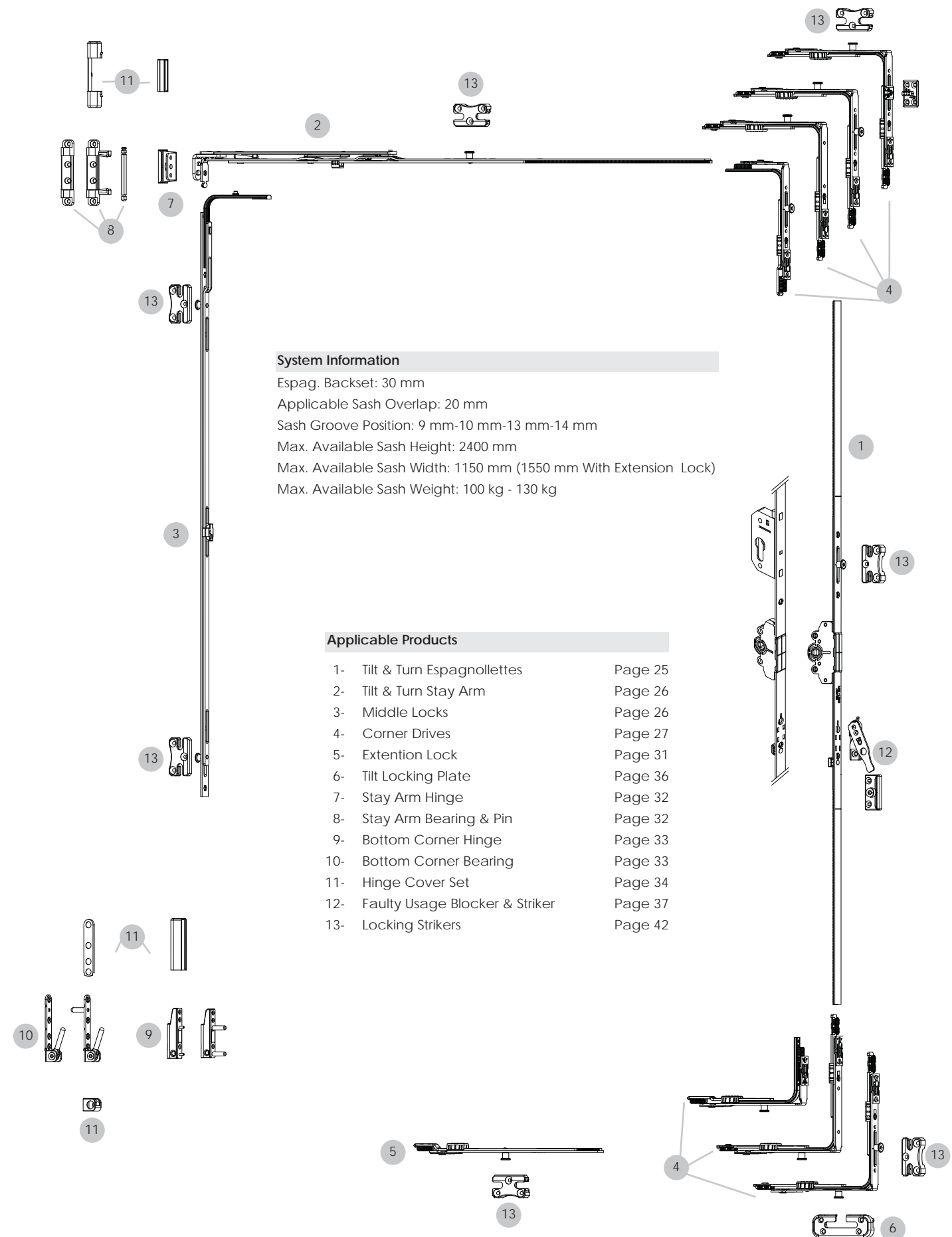
Espag. Backset: 15 mm
 Applicable Sash Overlap: 20 mm
 Sash Groove Position: 9 mm-10 mm-13 mm-14 mm
 Max. Available Sash Height: 2400 mm
 Max. Available Sash Width: 1150 mm (1550 mm With Extension Lock)
 Max. Available Sash Weight: 100 kg - 130 kg

Applicable Products

1- Tilt & Turn Espagnollettes	Page 24
2- Tilt & Turn Stay Arm	Page 26
3- Middle Locks	Page 26
4- Corner Drives	Page 27
5- Extension Lock	Page 31
6- Tilt Locking Plate	Page 36
7- Stay Arm Hinge	Page 32
8- Stay Arm Bearing & Pin	Page 32
9- Bottom Corner Hinge	Page 33
10- Bottom Corner Bearing	Page 33
11- Hinge Cover Set	Page 34
12- Faulty Usage Blocker & Striker	Page 37
13- Locking Strikers	Page 42

Tilt And Turn Systems

● 30 mm Backset High Security Level

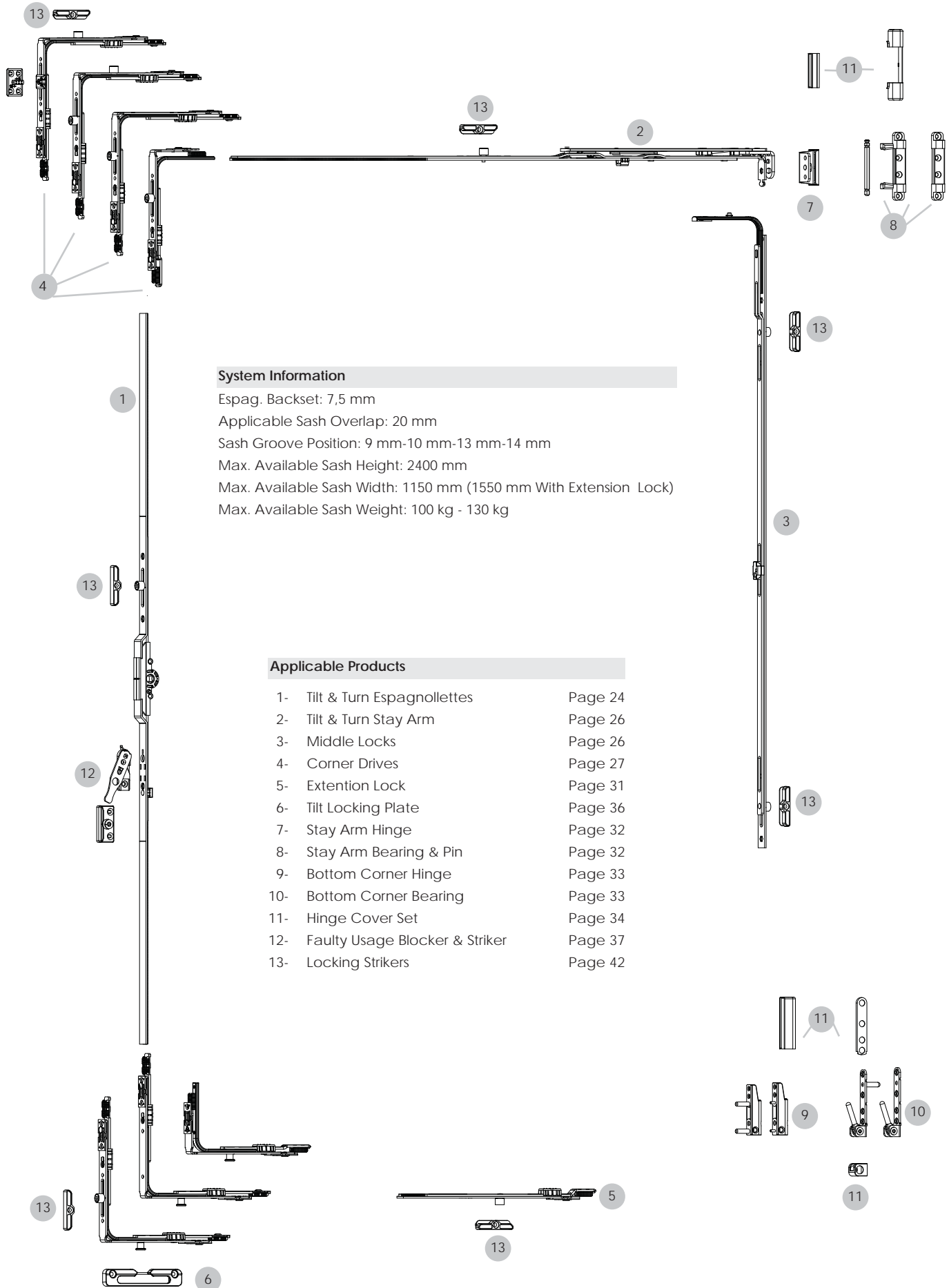


System Information

Espag. Backset: 30 mm
 Applicable Sash Overlap: 20 mm
 Sash Groove Position: 9 mm-10 mm-13 mm-14 mm
 Max. Available Sash Height: 2400 mm
 Max. Available Sash Width: 1150 mm (1550 mm With Extension Lock)
 Max. Available Sash Weight: 100 kg - 130 kg

Applicable Products

1-	Tilt & Turn Espagnolettes	Page 25
2-	Tilt & Turn Stay Arm	Page 26
3-	Middle Locks	Page 26
4-	Corner Drives	Page 27
5-	Extension Lock	Page 31
6-	Tilt Locking Plate	Page 36
7-	Stay Arm Hinge	Page 32
8-	Stay Arm Bearing & Pin	Page 32
9-	Bottom Corner Hinge	Page 33
10-	Bottom Corner Bearing	Page 33
11-	Hinge Cover Set	Page 34
12-	Faulty Usage Blocker & Striker	Page 37
13-	Locking Strikers	Page 42



System Information

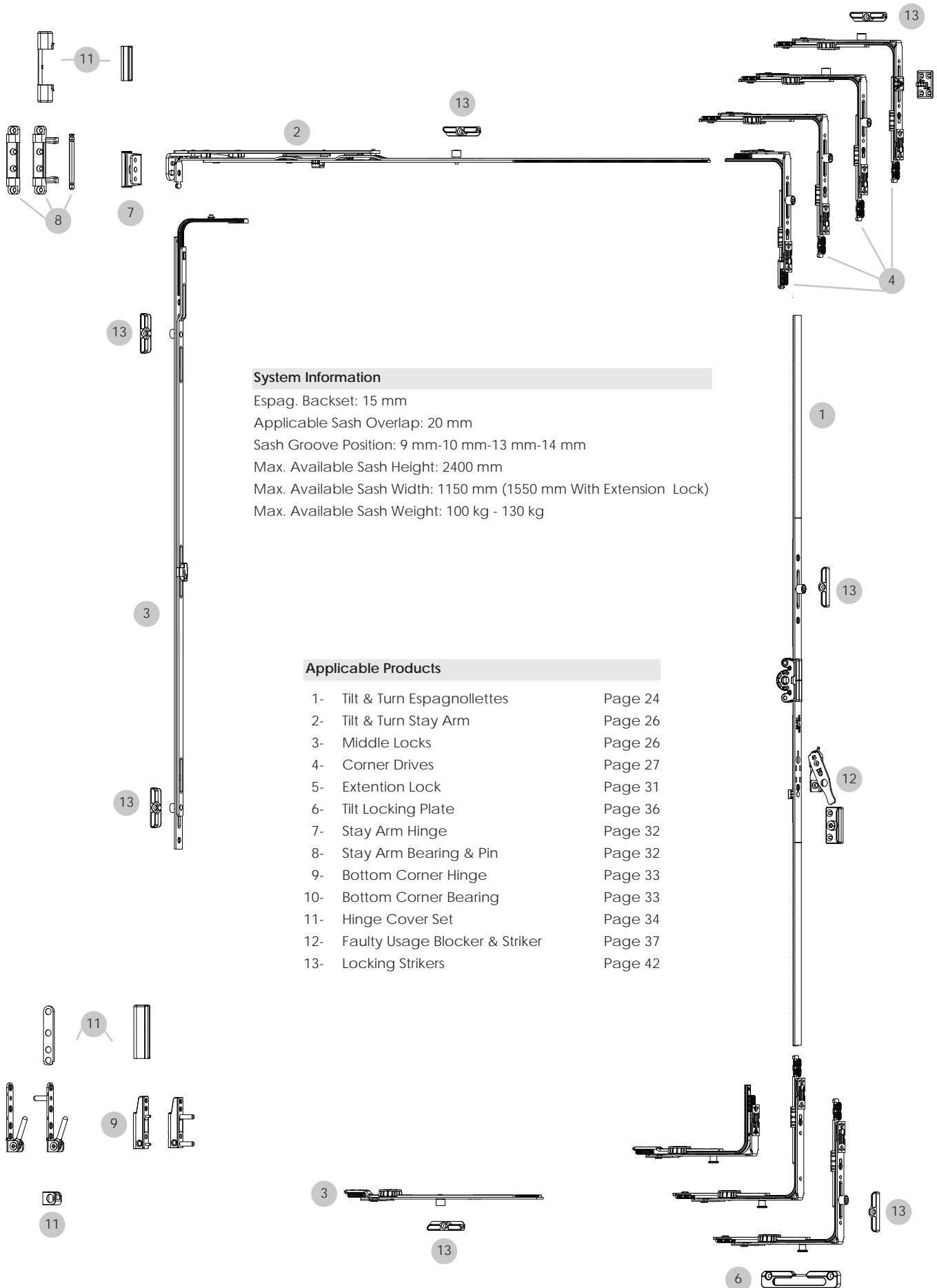
Espag. Backset: 7,5 mm
 Applicable Sash Overlap: 20 mm
 Sash Groove Position: 9 mm-10 mm-13 mm-14 mm
 Max. Available Sash Height: 2400 mm
 Max. Available Sash Width: 1150 mm (1550 mm With Extension Lock)
 Max. Available Sash Weight: 100 kg - 130 kg

Applicable Products

1- Tilt & Turn Espagnollettes	Page 24
2- Tilt & Turn Stay Arm	Page 26
3- Middle Locks	Page 26
4- Corner Drives	Page 27
5- Extention Lock	Page 31
6- Tilt Locking Plate	Page 36
7- Stay Arm Hinge	Page 32
8- Stay Arm Bearing & Pin	Page 32
9- Bottom Corner Hinge	Page 33
10- Bottom Corner Bearing	Page 33
11- Hinge Cover Set	Page 34
12- Faulty Usage Blocker & Striker	Page 37
13- Locking Strikers	Page 42

Tilt And Turn Systems

● 15 mm Backset Tilt First System

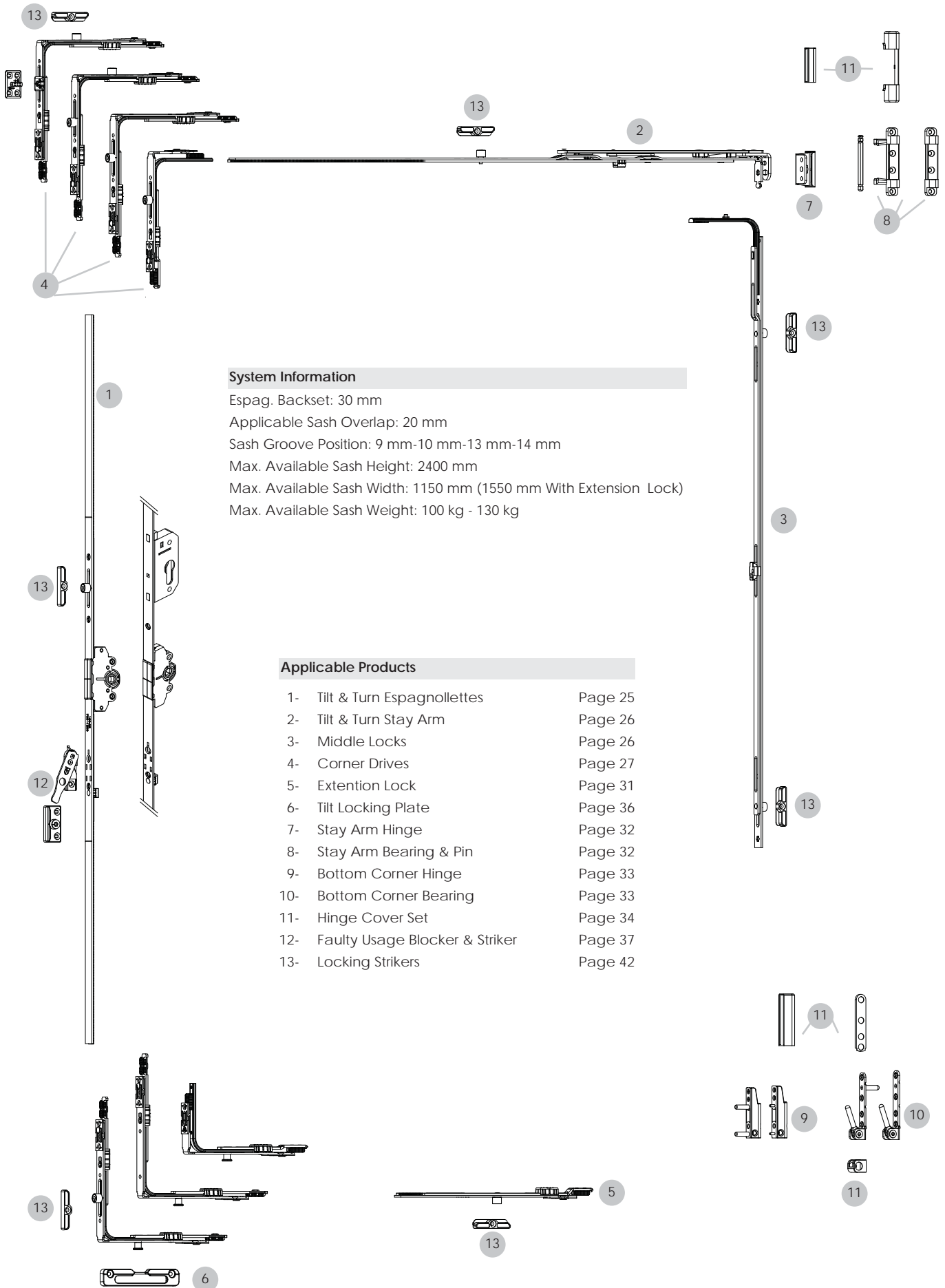


System Information

Espag. Backset: 15 mm
 Applicable Sash Overlap: 20 mm
 Sash Groove Position: 9 mm-10 mm-13 mm-14 mm
 Max. Available Sash Height: 2400 mm
 Max. Available Sash Width: 1150 mm (1550 mm With Extension Lock)
 Max. Available Sash Weight: 100 kg - 130 kg

Applicable Products

1- Tilt & Turn Espagnollettes	Page 24
2- Tilt & Turn Stay Arm	Page 26
3- Middle Locks	Page 26
4- Corner Drives	Page 27
5- Extension Lock	Page 31
6- Tilt Locking Plate	Page 36
7- Stay Arm Hinge	Page 32
8- Stay Arm Bearing & Pin	Page 32
9- Bottom Corner Hinge	Page 33
10- Bottom Corner Bearing	Page 33
11- Hinge Cover Set	Page 34
12- Faulty Usage Blocker & Striker	Page 37
13- Locking Strikers	Page 42



System Information

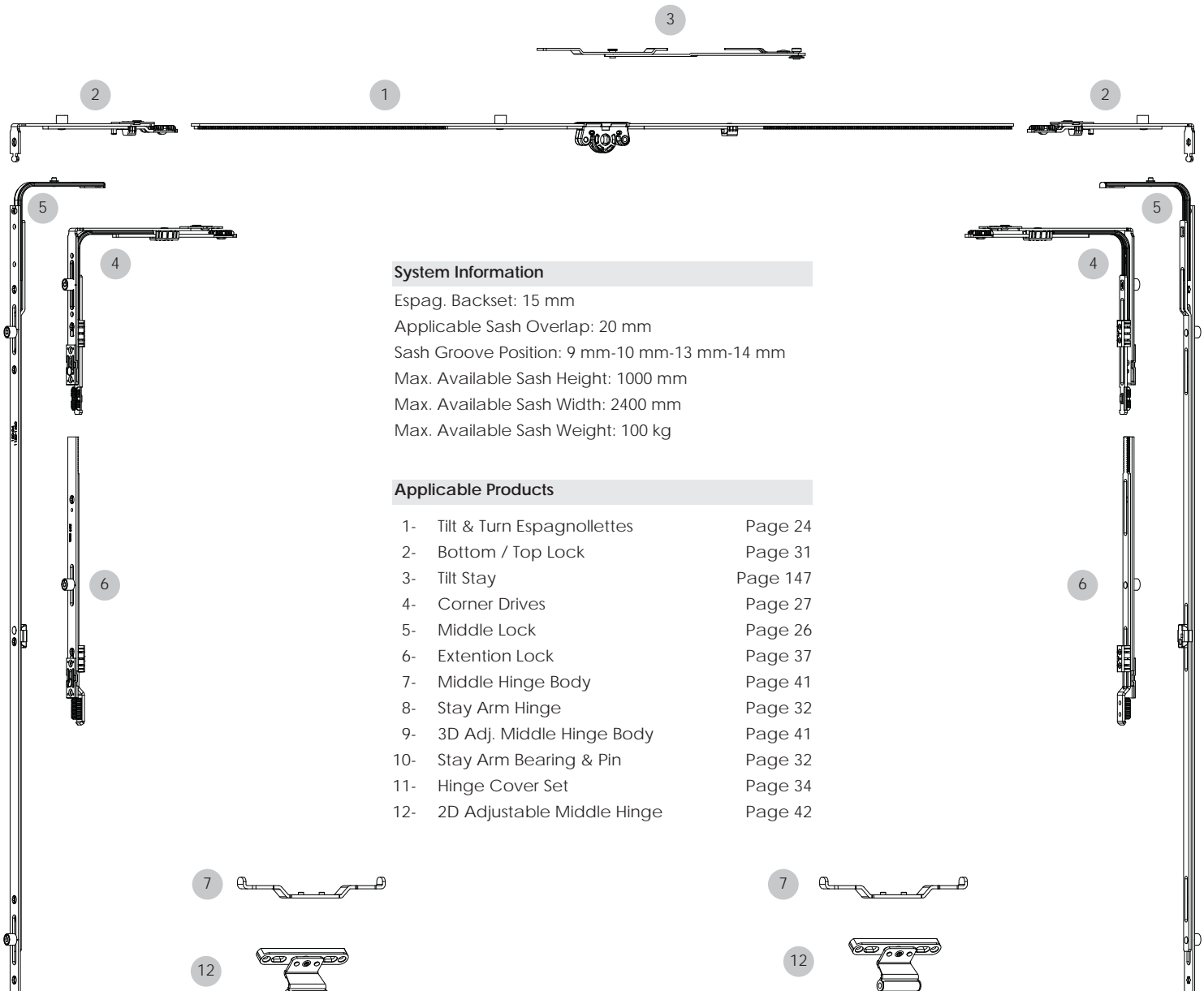
Espag. Backset: 30 mm
 Applicable Sash Overlap: 20 mm
 Sash Groove Position: 9 mm-10 mm-13 mm-14 mm
 Max. Available Sash Height: 2400 mm
 Max. Available Sash Width: 1150 mm (1550 mm With Extension Lock)
 Max. Available Sash Weight: 100 kg - 130 kg

Applicable Products

1- Tilt & Turn Espagnollettes	Page 25
2- Tilt & Turn Stay Arm	Page 26
3- Middle Locks	Page 26
4- Corner Drives	Page 27
5- Extension Lock	Page 31
6- Tilt Locking Plate	Page 36
7- Stay Arm Hinge	Page 32
8- Stay Arm Bearing & Pin	Page 32
9- Bottom Corner Hinge	Page 33
10- Bottom Corner Bearing	Page 33
11- Hinge Cover Set	Page 34
12- Faulty Usage Blocker & Striker	Page 37
13- Locking Strikers	Page 42

Tilt And Turn Systems

● 15 mm Backset Tilt Only System



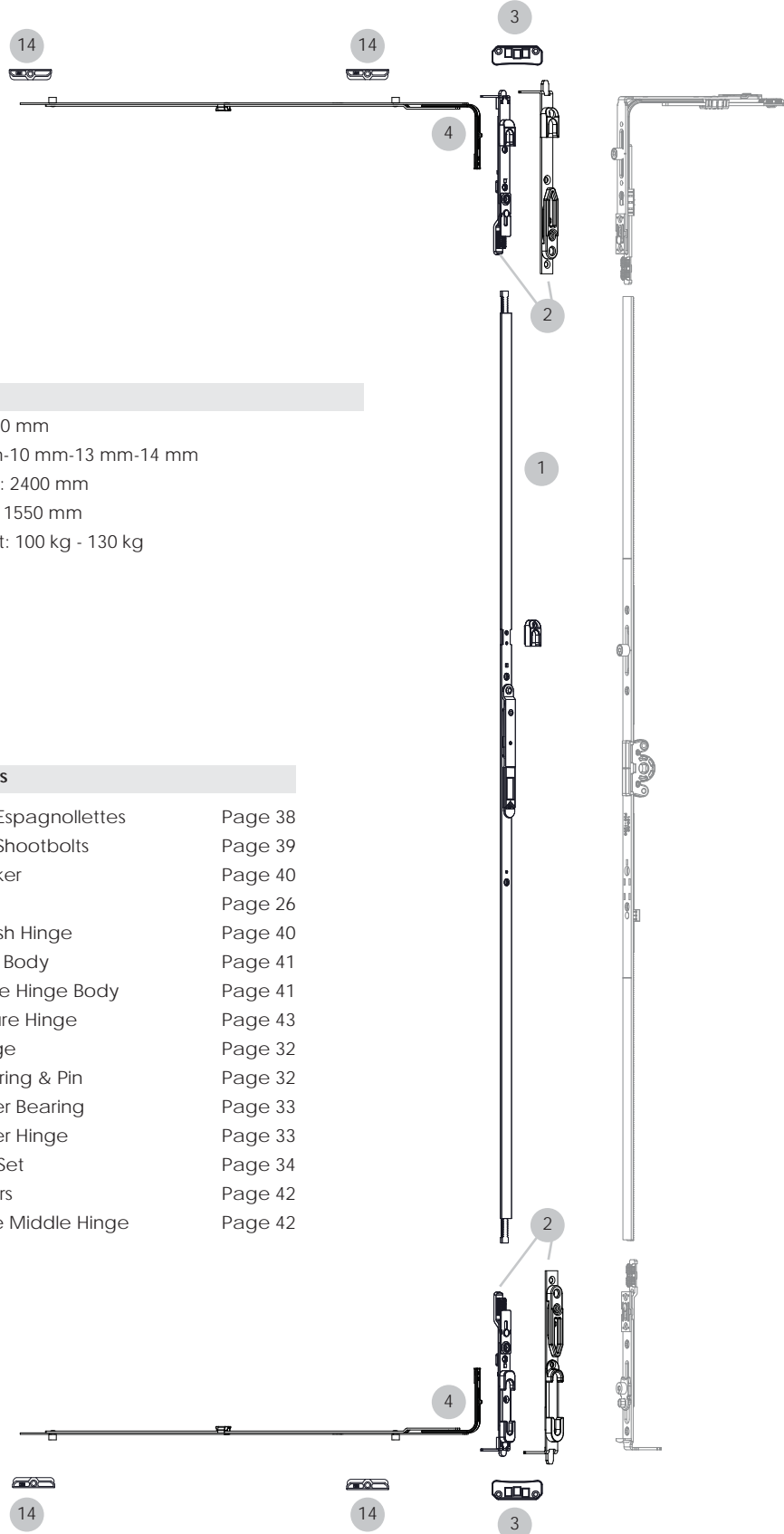
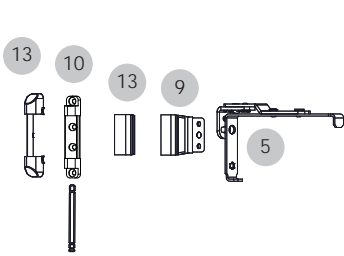
System Information

Espag. Backset: 15 mm
 Applicable Sash Overlap: 20 mm
 Sash Groove Position: 9 mm-10 mm-13 mm-14 mm
 Max. Available Sash Height: 1000 mm
 Max. Available Sash Width: 2400 mm
 Max. Available Sash Weight: 100 kg

Applicable Products

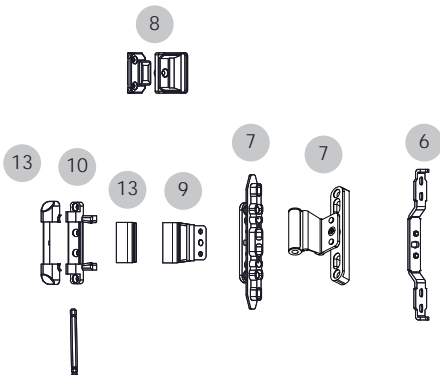
1-	Tilt & Turn Espagnolettes	Page 24
2-	Bottom / Top Lock	Page 31
3-	Tilt Stay	Page 147
4-	Corner Drives	Page 27
5-	Middle Lock	Page 26
6-	Extension Lock	Page 37
7-	Middle Hinge Body	Page 41
8-	Stay Arm Hinge	Page 32
9-	3D Adj. Middle Hinge Body	Page 41
10-	Stay Arm Bearing & Pin	Page 32
11-	Hinge Cover Set	Page 34
12-	2D Adjustable Middle Hinge	Page 42





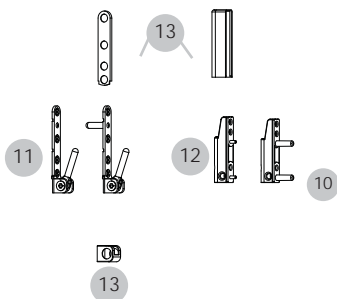
System Information

- Applicable Sash Overlap: 20 mm
- Sash Groove Position: 9 mm-10 mm-13 mm-14 mm
- Max. Available Sash Height: 2400 mm
- Max. Available Sash Width: 1550 mm
- Max. Available Sash Weight: 100 kg - 130 kg



Applicable Products

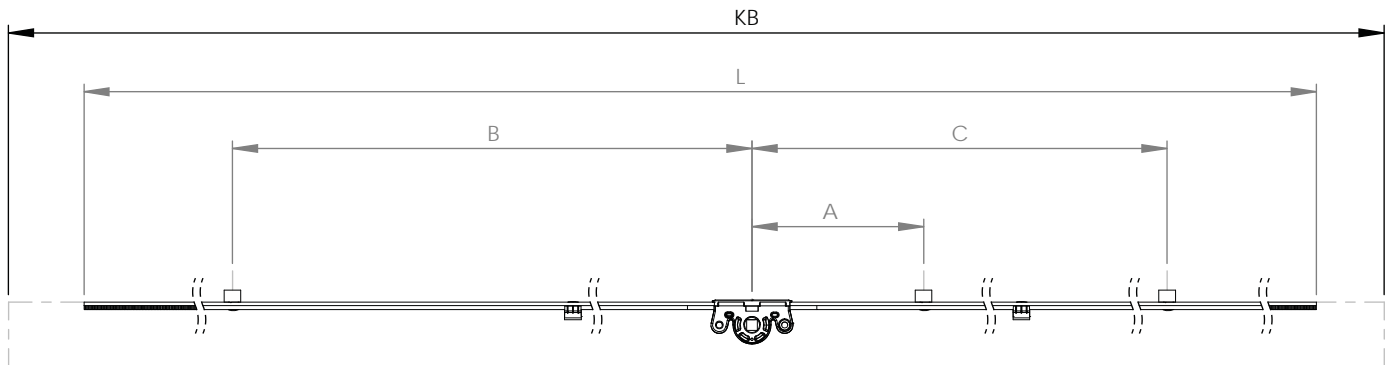
1-	Double Sash Espagnolettes	Page 38
2-	Double Sash Shootbolts	Page 39
3-	Shootbolt Striker	Page 40
4-	Middle Lock	Page 26
5-	Side Hung Sash Hinge	Page 40
6-	Middle Hinge Body	Page 41
7-	3D Adj. Middle Hinge Body	Page 41
8-	Gasket Pressure Hinge	Page 43
9-	Stay Arm Hinge	Page 32
10-	Stay Arm Bearing & Pin	Page 32
11-	Bottom Corner Bearing	Page 33
12-	Bottom Corner Hinge	Page 33
13-	Hinge Cover Set	Page 34
14-	Locking Strikers	Page 42
15-	2D Adjustable Middle Hinge	Page 42

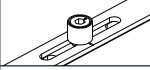
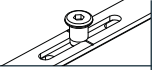

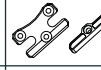




Tilt And Turn Systems

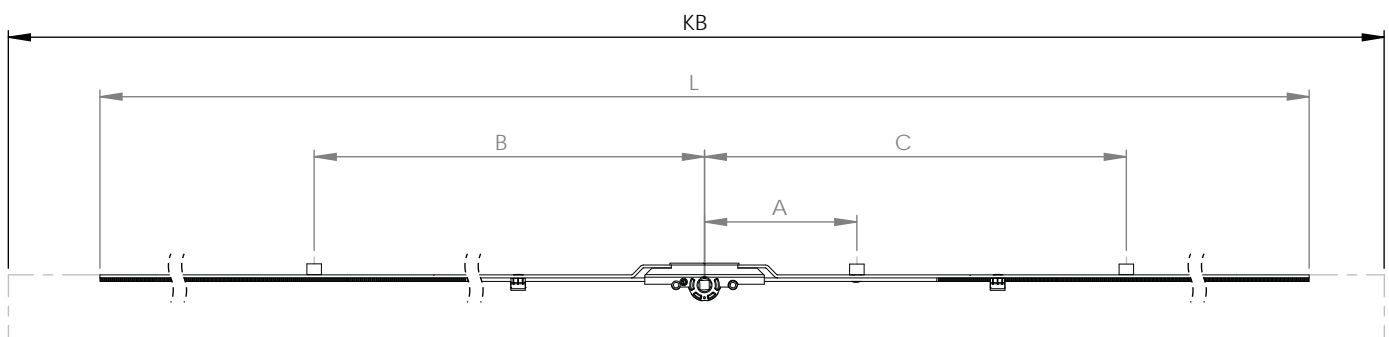
● Espagnolettes

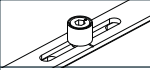
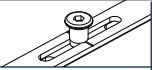

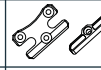


● 15 mm Backset Espagnolette



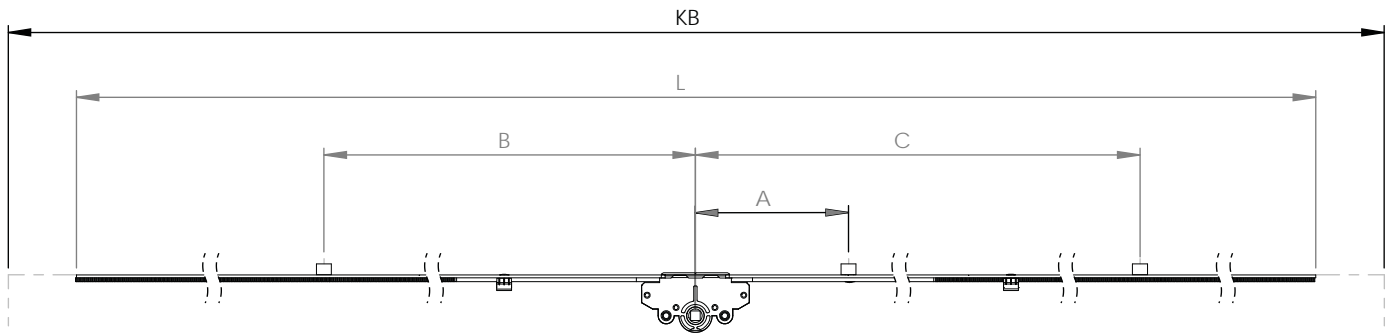
		KB	L	A	B	C				Qty. 	Kg
01.TTS.100.00.01	-	500-700	400	-	-	-	2	-	-	20	4,50
01.TTS.100.01.02	01.TTS.100.02.02	700-1200	900	112	-	-	3	1	✓	20	8,85
01.TTS.100.01.03	01.TTS.100.02.03	900-1400	1100	112	-	-	5	1	✓	20	10,60
01.TTS.100.01.04	01.TTS.100.02.04	1200-1700	1400	258	258	-	8	2	✓	20	13,32
01.TTS.100.01.05	01.TTS.100.02.05	1700-2200	1900	350	350	-	8	2	✓	20	18,35
01.TTS.100.01.06	01.TTS.100.02.06	1900-2400	2100	112	501	501	9	3	✓	20	20,18

● 7,5 mm Backset Espagnolette



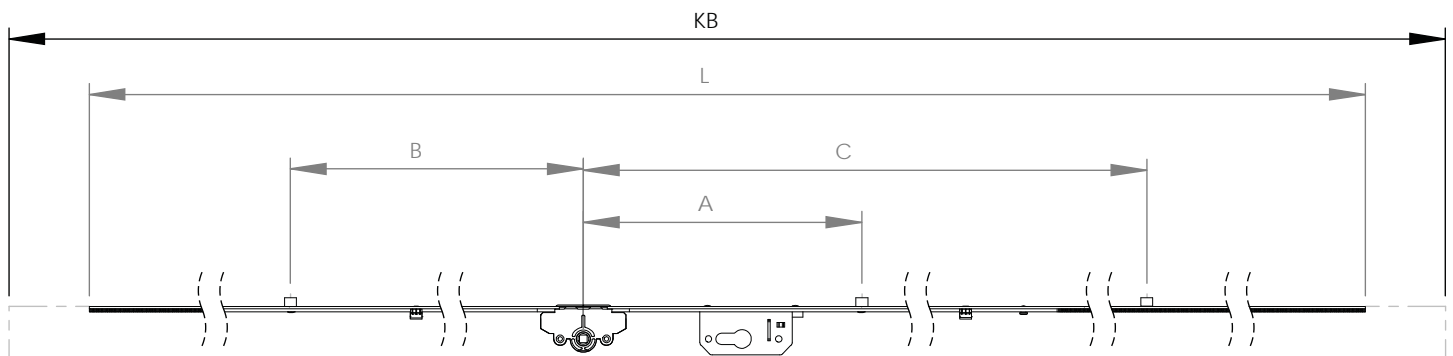
		KB	L	A	B	C				Qty. 	Kg
01.TTS.102.00.01	-	500-700	400	-	-	-	2	-	-	20	-
01.TTS.102.01.02	01.TTS.102.02.02	700-1200	900	112	-	-	3	1	✓	20	-
01.TTS.102.01.03	01.TTS.102.02.03	900-1400	1100	112	-	-	5	1	✓	20	-
01.TTS.102.01.04	01.TTS.102.02.04	1200-1700	1400	258	258	-	8	2	✓	20	-
01.TTS.102.01.05	01.TTS.102.02.05	1700-2200	1900	350	350	-	8	2	✓	20	-
01.TTS.102.01.06	01.TTS.102.02.06	1900-2400	2100	112	501	501	9	3	✓	20	-

30 mm Backset Espagnolette



		KB	L	A	B	C				Qty.	Kg
01.TTS.101.00.01	-	500-700	400	-	-	-	2	-	-	20	-
01.TTS.101.01.02	01.TTS.102.02.02	700-1200	900	112	-	-	3	1	✓	20	-
01.TTS.101.01.03	01.TTS.102.02.03	900-1400	1100	112	-	-	5	1	✓	20	-
01.TTS.101.01.04	01.TTS.102.02.04	1200-1700	1400	258	258	-	8	2	✓	20	14,55
01.TTS.101.01.05	01.TTS.102.02.05	1700-2200	1900	350	350	-	8	2	✓	20	20,20
01.TTS.101.01.06	01.TTS.102.02.06	1900-2400	2100	112	501	501	9	3	✓	20	22,00

30 mm Backset Lockable Espagnolette

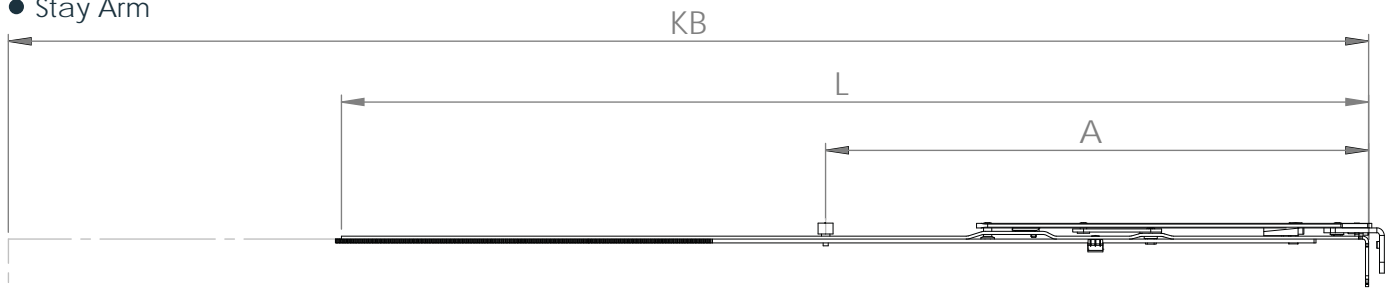


		KB	L	A	B	C				Qty.	Kg
01.TTS.103.01.04	01.TTS.103.02.04	1200 -1700	1400	258	258	-	8	2	✓	20	-
01.TTS.103.01.05	01.TTS.103.02.05	1700 - 2200	1900	350	350	-	8	2	✓	20	-
01.TTS.103.01.06	01.TTS.103.02.06	1900 - 2400	2100	112	501	501	9	3	✓	20	-

Tilt And Turn Systems

● Stay Arms & Middle Locks

● Stay Arm



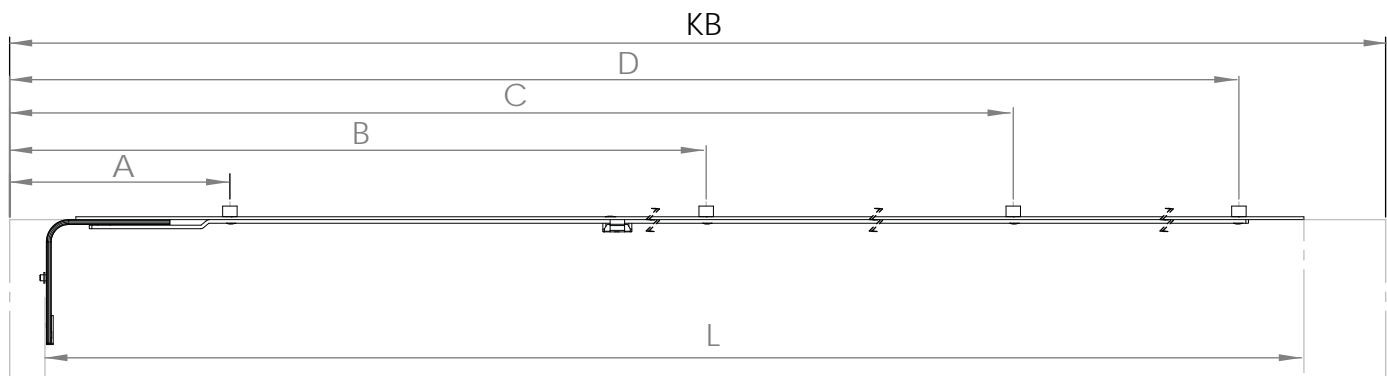
● Tilt & Turn Stay Arm

		KB	L	A			Qty.		Kg
01.TTS.200.00.01	-	350-600	450	-	4	-	20		6,40
01.TTS.200.00.02	-	400-650	500	-	4	-	20		7,30
01.TTS.200.01.03	01.TTS.200.02.03	650-900	750	395	6	1	20		9,84
01.TTS.200.01.04	01.TTS.200.02.04	900-1150	1000	592	9	1	20		12,69

● Tilt First Stay Arm

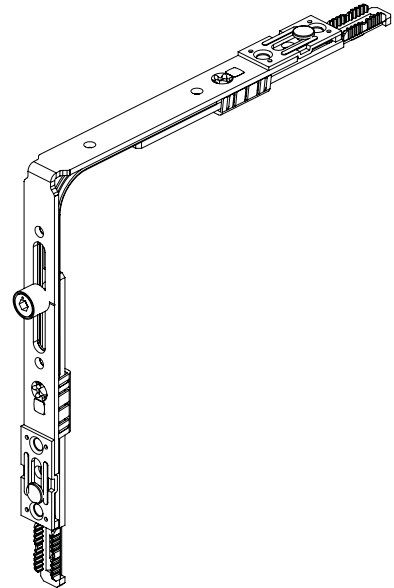
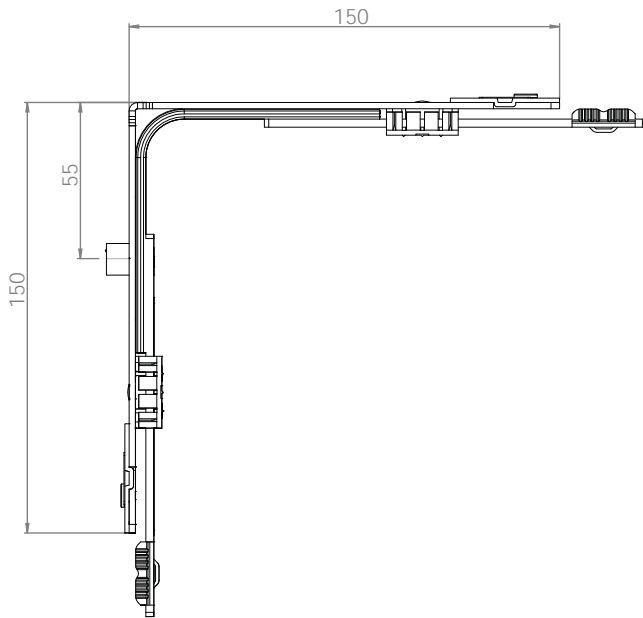
		KB	L	A			Qty.		Kg
01.TTS.201.00.01	-	350-600	450	-	4	-	20		6,40
01.TTS.201.00.02	-	400-650	500	-	4	-	20		7,30
01.TTS.201.01.03	01.TTS.201.02.03	650-900	750	395	6	1	20		9,84
01.TTS.201.01.04	01.TTS.201.02.04	900-1150	1000	592	9	1	20		12,69

● Middle Lock



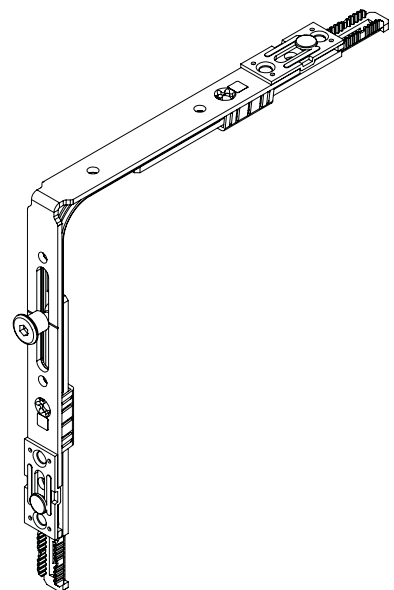
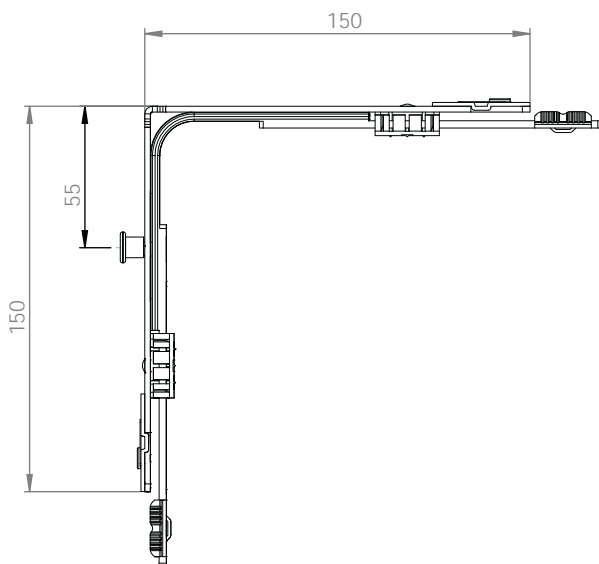
		KB	L	A	B	C	D			Qty.		Kg
01.TTS.300.01.01	01.TTS.300.02.01	280-600	192,5	147,5	-	-	-	1	1	20		1,83
01.TTS.300.01.02	01.TTS.300.02.02	600-850	337,5	295	-	-	-	1	1	20		3,27
01.TTS.300.01.03	01.TTS.300.02.03	850-1150	527	147,5	485	-	-	5	2	20		4,90
01.TTS.300.01.04	01.TTS.300.02.04	850-1400	697,5	147,5	655	-	-	5	2	20		6,20
01.TTS.300.01.05	01.TTS.300.02.05	1150-1400	775	147,5	732,5	-	-	5	2	20		7,75
01.TTS.300.01.06	01.TTS.300.02.06	1300-1650	1025	147,5	485	982	-	8	3	20		9,50
01.TTS.300.01.07	01.TTS.300.02.07	1650-1900	1270,5	147,5	732,5	1228	-	8	3	20		11,85
01.TTS.300.01.08	01.TTS.300.02.07	1900-2200	1672	147,5	732,5	1228	1629	11	4	20		15,50

Corner Drive - 1 Standard Pin (1-ELP) ●



					Qty.	Kg
01.TTS.401.00.01	✓	4	1	100	15,75	

Corner Drive - 1 Security Pin (1-GLP) ●

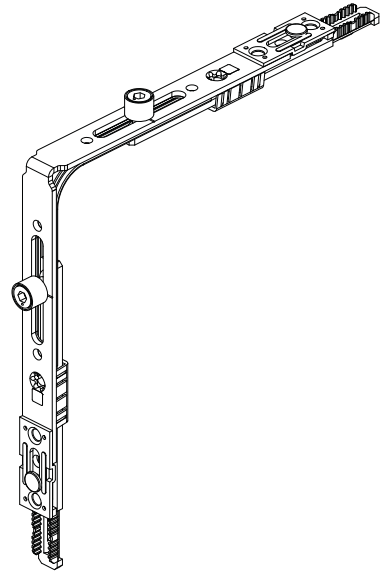
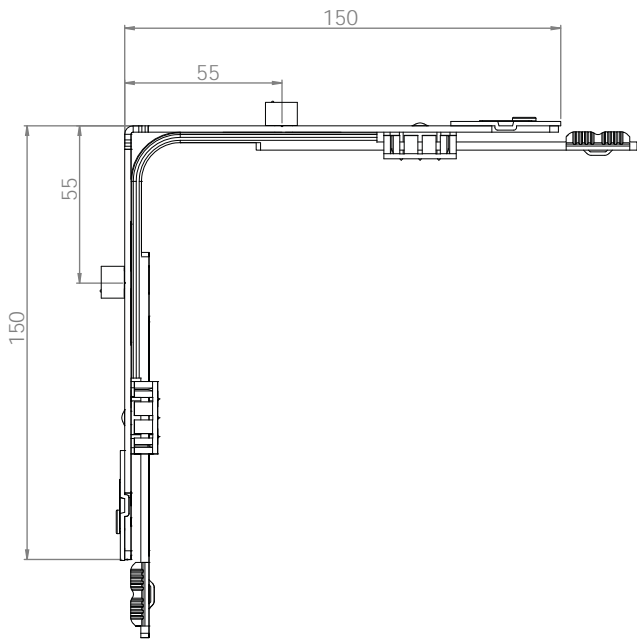


					Qty.	Kg
01.TTS.401.00.02	✓	4	1	100	15,75	

Tilt And Turn Systems

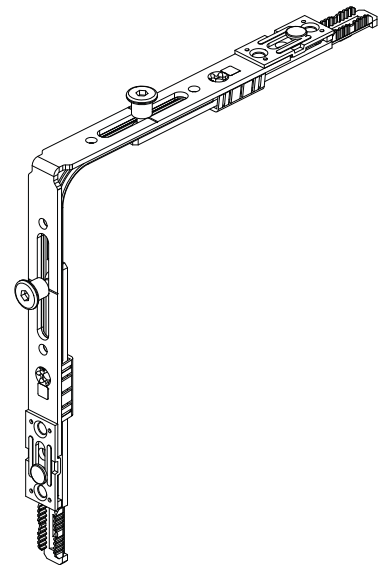
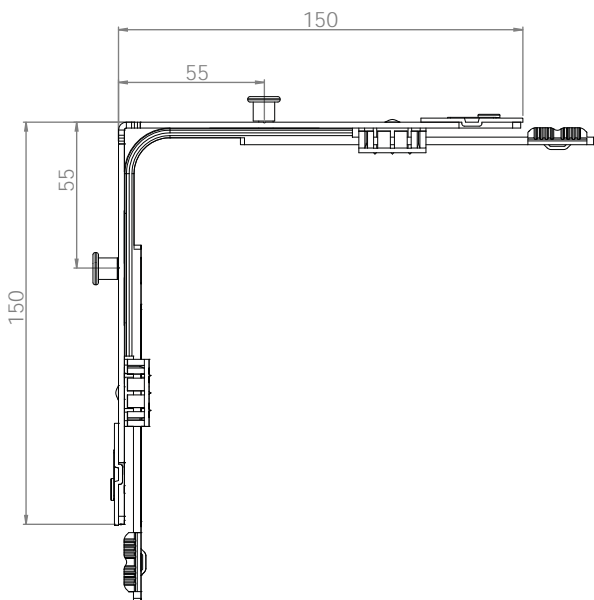
● Corner Drives

● Corner Drive - 2 Standard Pin (2-ELP)



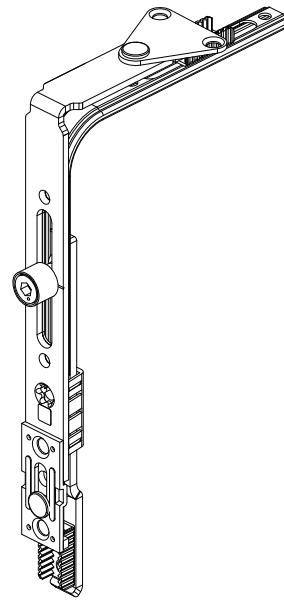
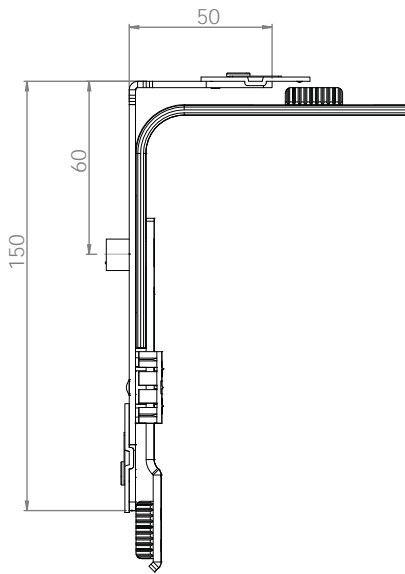
					Qty.	Kg
01.TTS.401.00.11	✓	4	2		100	15,75

● Corner Drive - 2 Security Pin (2-GLP)



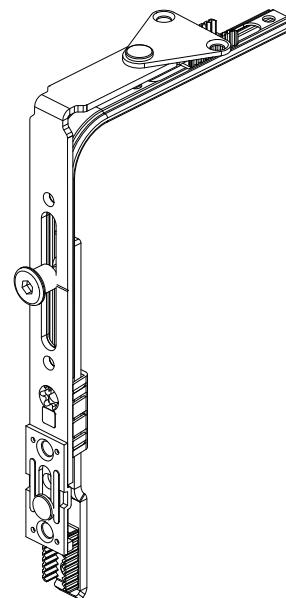
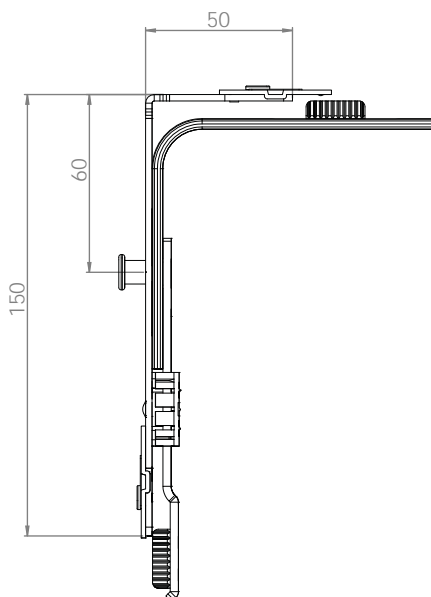
					Qty.	Kg
01.TTS.401.00.22	✓	4	2		100	15,75

Corner Drive Narrow - 1 Standard Pin (1-ELP) ●



				Qty.		Kg
01.TTS.401.01.01	✓	4	1	100		15,75

Corner Drive Narrow - 1 Security Pin (1-GLP) ●

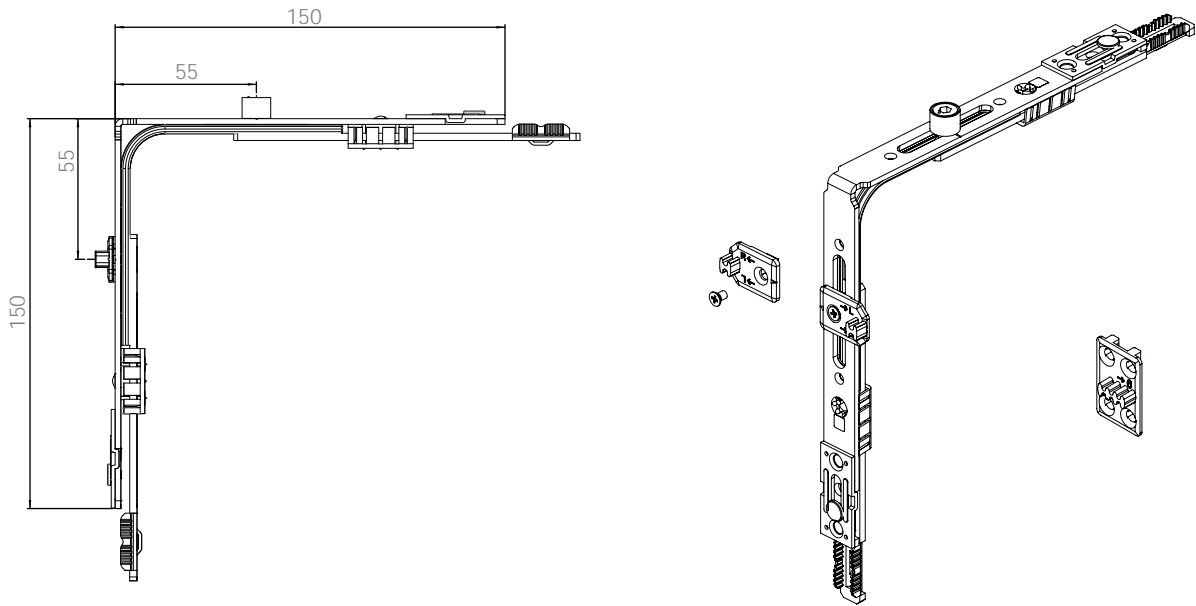


				Qty.		Kg
01.TTS.401.01.02	✓	4	1	100		15,75

Tilt And Turn Systems

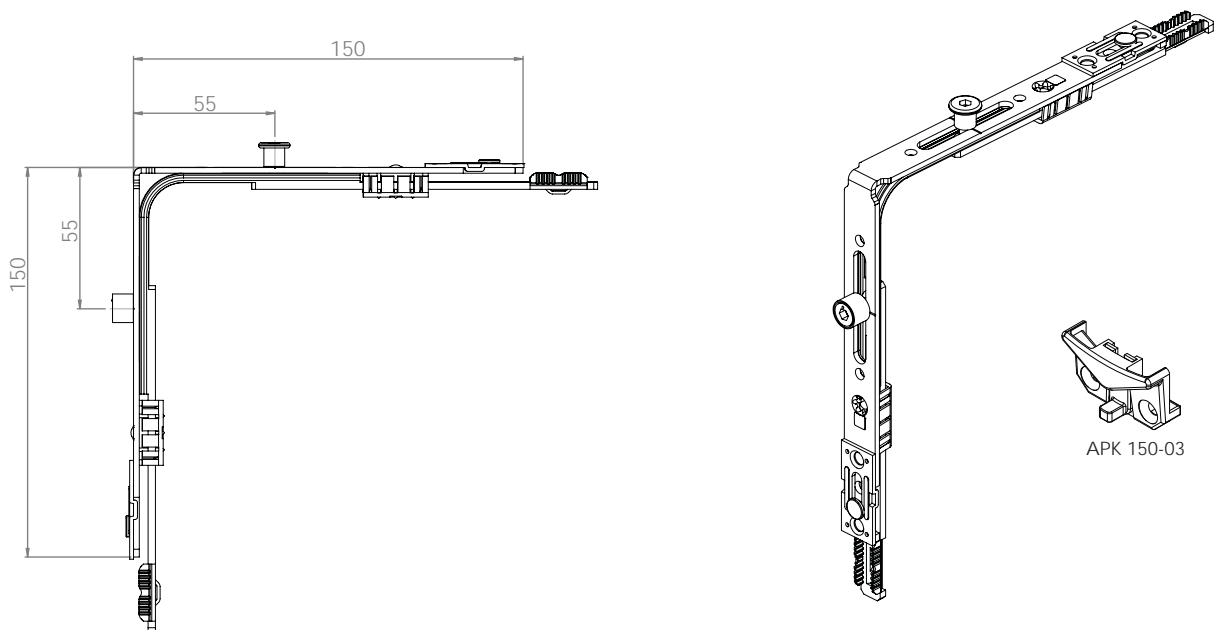
Corner Drives

- Corner Drive Gradual Ventilation - 1 Standard Pin (1-ELP)



				Qty.		Kg
01.TTS.401.00.13	✓	4	1	100		15,75

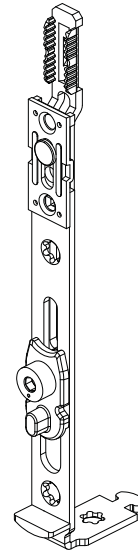
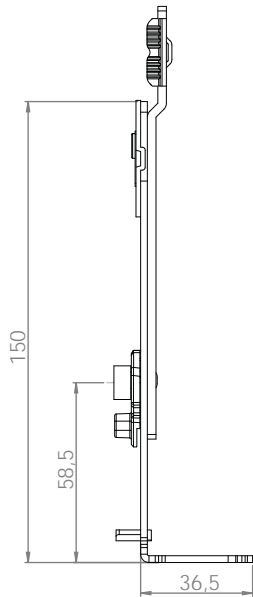
- Corner Drive - 1 Standard Pin + 1 Security Pin (1-ELP + 1-GLP)



					Qty.		Kg
01.TTS.401.00.13	✓	✓	4	2	100		15,75

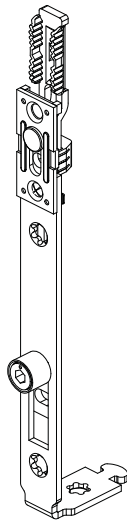
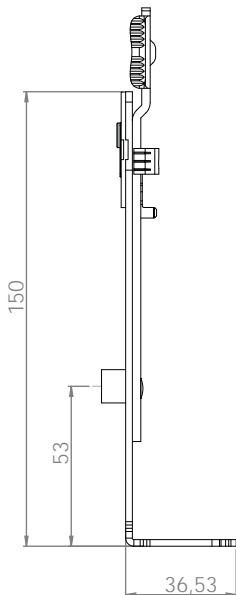
Bottom And Top Locks

Bottom Tilt Lock

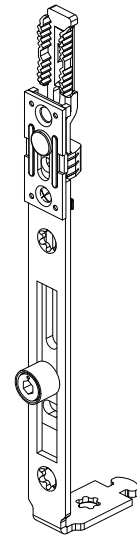
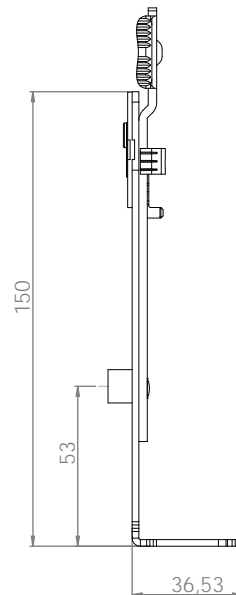


				Qty.	Kg
01.TTS.402.00.00	✓	4	1	100	4,40

Bottom And Top End Lock



ALT 160-02



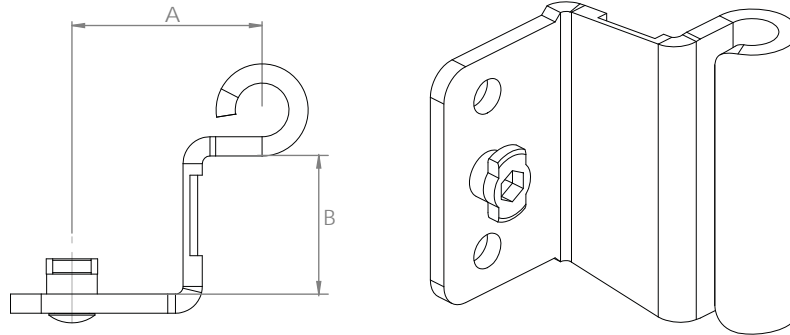
ALT 160-03



				Qty.	Kg
01.TTS.402.01.00	✓	4	1	100	4,40
01.TTS.402.02.00	✓	4	1	100	4,40

Tilt And Turn Systems

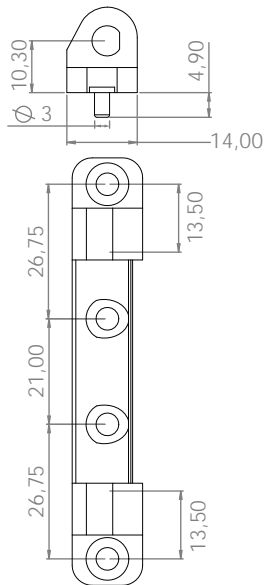
Hinges

Stay Arm Hinge

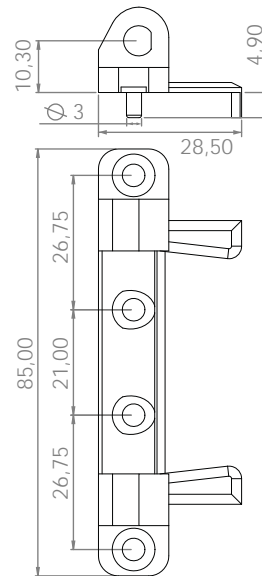


	A	B	Qty. 	Kg
01.TTS.403.01.00	9	20	100	5,71
01.TTS.403.03.00	10	20	100	5,60
01.TTS.403.02.00	13	20	100	5,95
01.TTS.403.04.00	14	20	100	6,00



Stay Arm Bearing And Pin

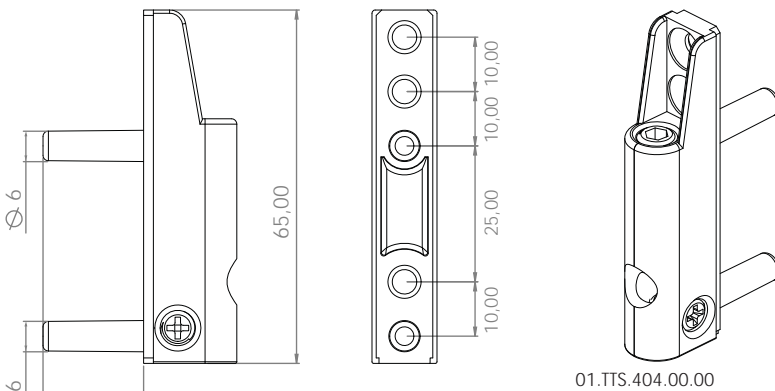


01.TTS.405.01.00



01.TTS.405.00.00

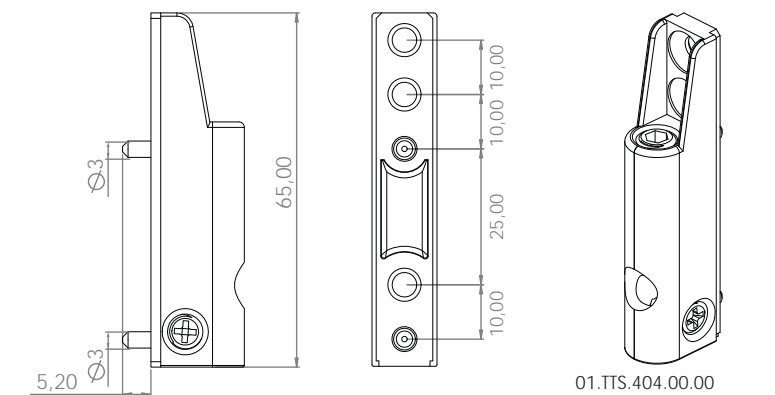
	Qty. 	Kg
01.TTS.405.00.00	100	6,02
01.TTS.405.01.00	100	5,60



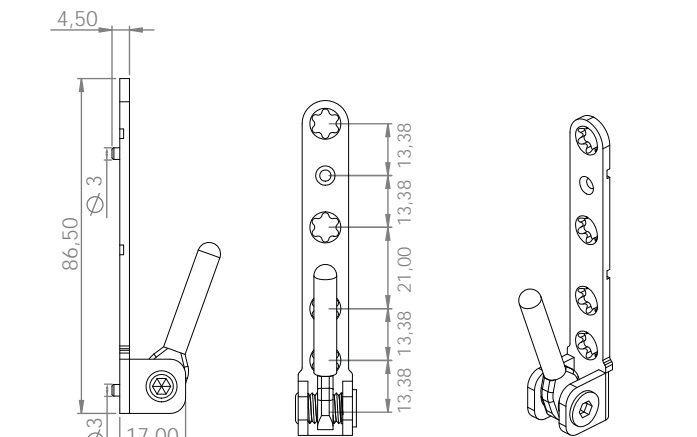
01.TTS.404.00.00

Bottom Corner Hinge ●

		Qty.	Kg
01.TTS.404.00.00	100	100	3,57
01.TTS.404.01.00	130	100	4,15



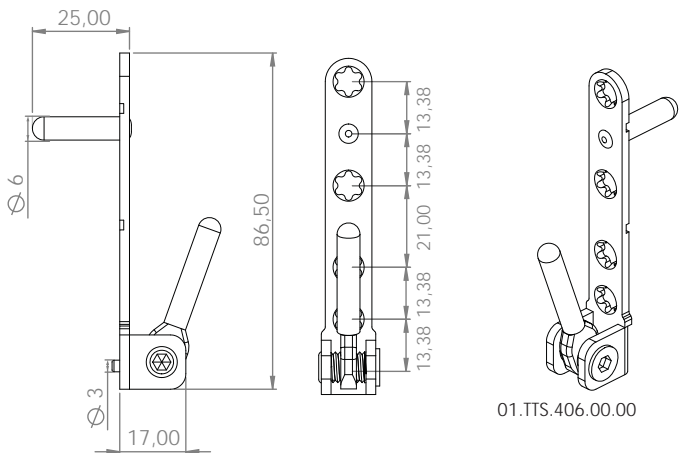
01.TTS.404.00.00



01.TTS.406.00.00

Bottom Corner Bearing ●

		Qty.	Kg
01.TTS.406.00.00	100	100	3,57
01.TTS.406.01.00	130	100	4,15

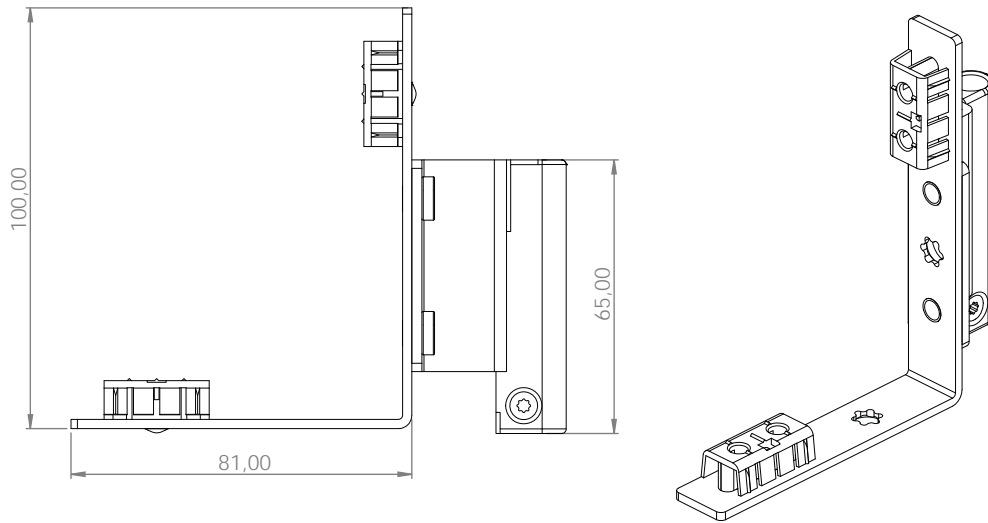




01.TTS.406.00.00

Tilt And Turn Systems

Hinges

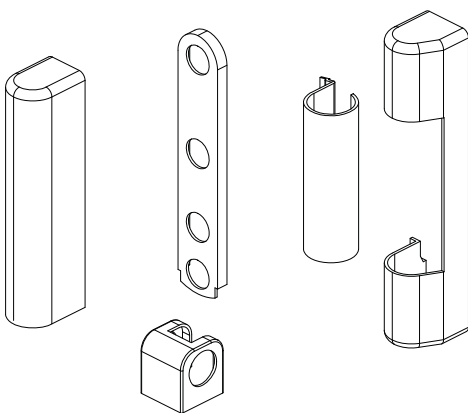
Rebate Hinge



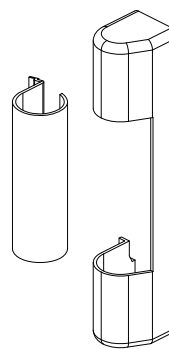
	A	Qty. 	Kg
01.TTS.600.R1.00	13 Right	100	14,7
01.TTS.600.L1.00	13 Left	100	14,7
01.TTS.600.R2.00	9 Right	100	14,7
01.TTS.600.L2.00	9 Left	100	14,7

Hinge Cover Set

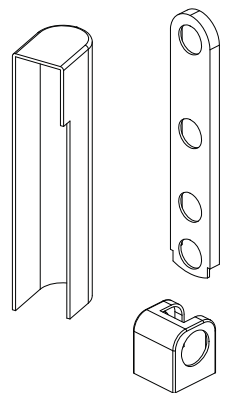
PLK170-01





PLK170-02

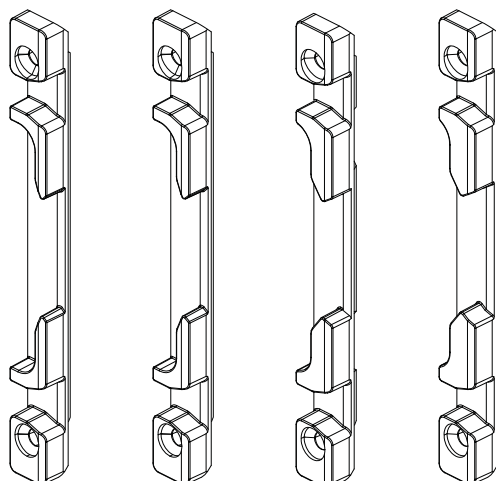
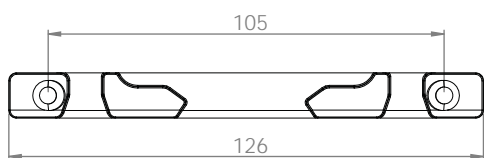


PLK170-03





	Qty. 	Kg
01.TTS.408.00.01	100	1,14
01.TTS.408.01.01	100	0,60

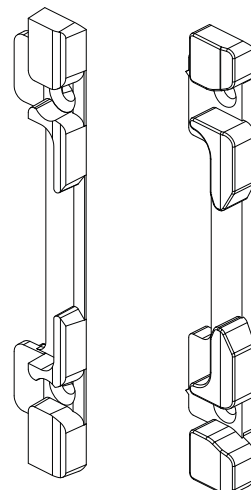
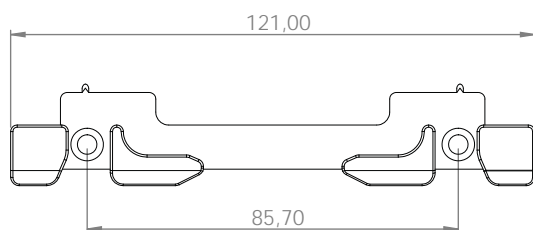
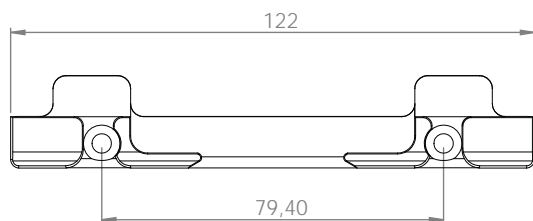
Pivot Tilt Locking Plates ●




9 AXIS 10 AXIS 13 AXIS 14 AXIS

	A	Qty. 	Kg
01.TTS.407.11.00	9	100	4,40
01.TTS.407.13.00	10	100	3,85
01.TTS.407.12.00	13	100	4,17
01.TTS.407.14.00	14	100	4,20

Pivot Tilt Locking Plates - For Aluminium ●



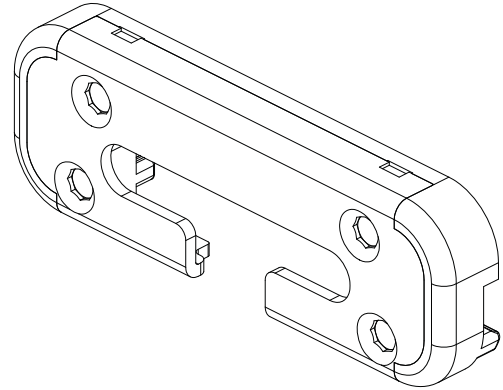
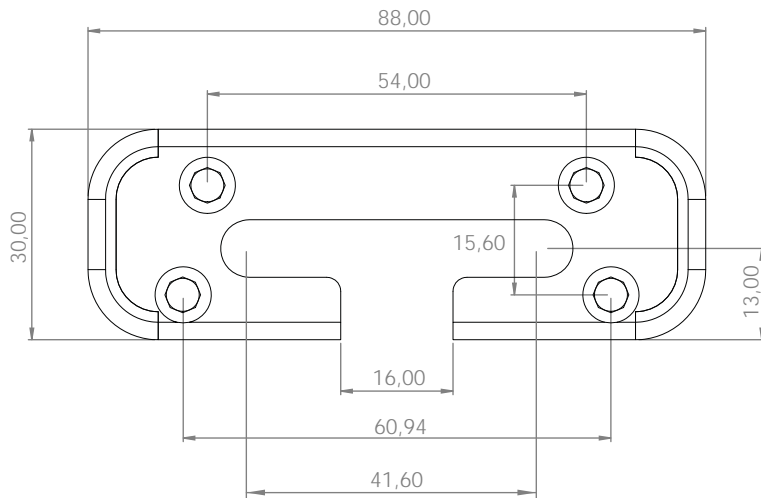
9 AXIS 13 AXIS

	Axis	Qty. 	Kg
01.TTS.407.16.00	13	100	4,2
01.TTS.407.15.00	9	100	4,4

Tilt And Turn Systems

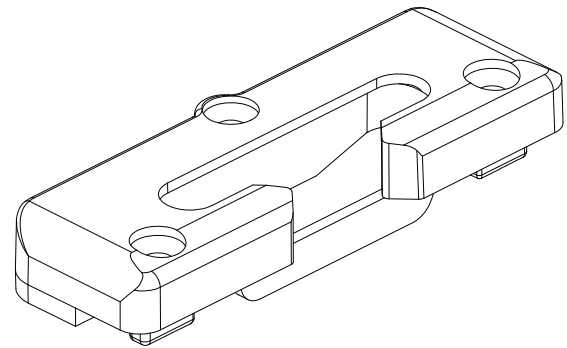
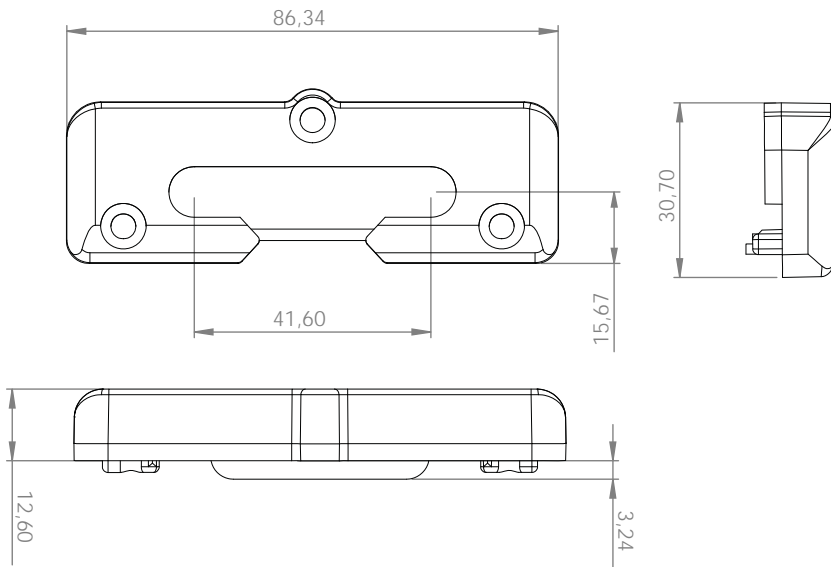
Tilt Locking Plates

Security Tilt Locking Plate - Steel



	Axis	Qty. 	Kg
01.TTS.407.21.00	9	100	4,49
01.TTS.407.22.00	13	100	4,38

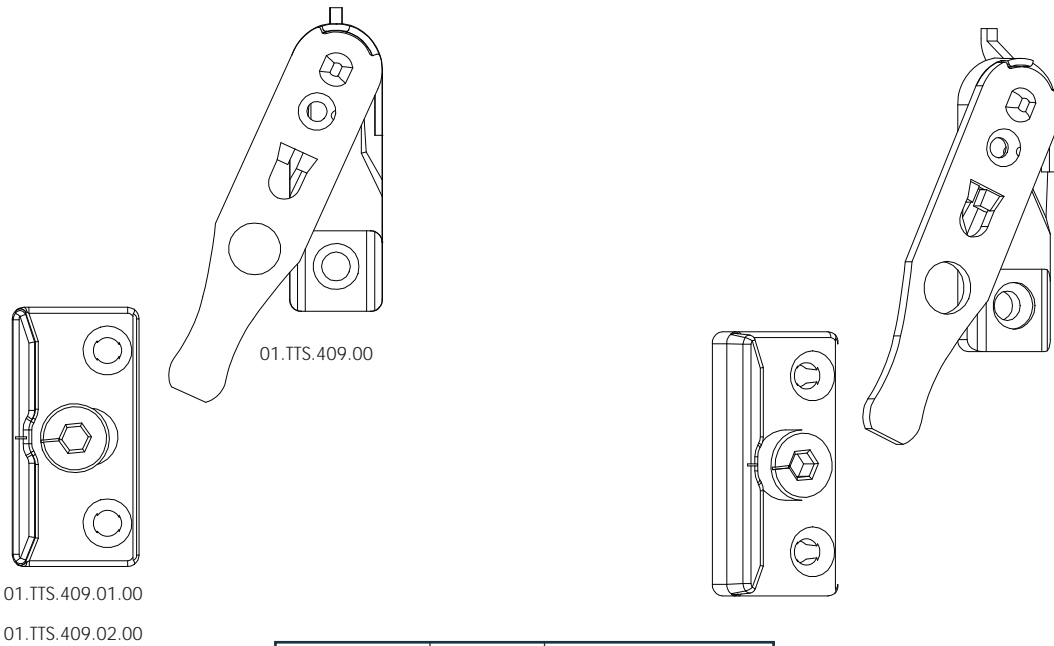
Security Tilt Locking Plate - Zinc





	Axis	Qty. 	Kg
01.TTS.407.32.00	13	100	7,35

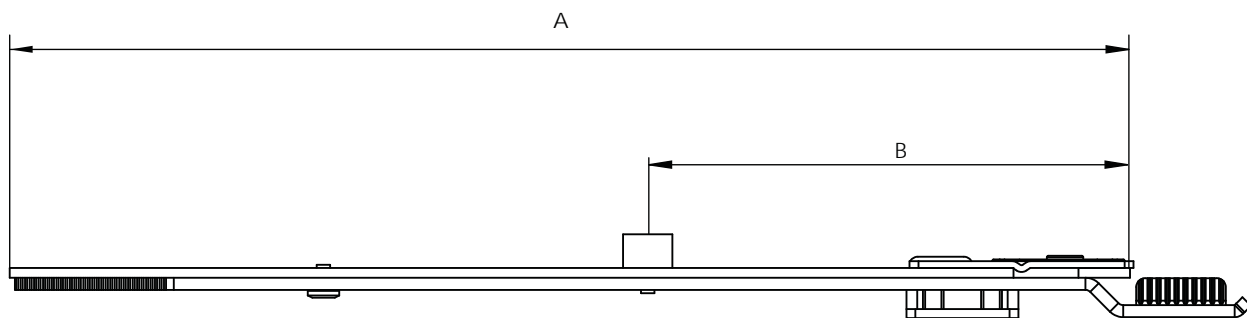
Faulty Usage Blocker & Extension Lock ●



Faulty Usage Blocker & Sash Lifter ●



	Axis	Qty. 	Kg
01.TTS.409.01.00	9	100	2,85
01.TTS.409.02.00	13	100	2,87
01.TTS.409.00.00	-	100	3,42

Extension Gears ●

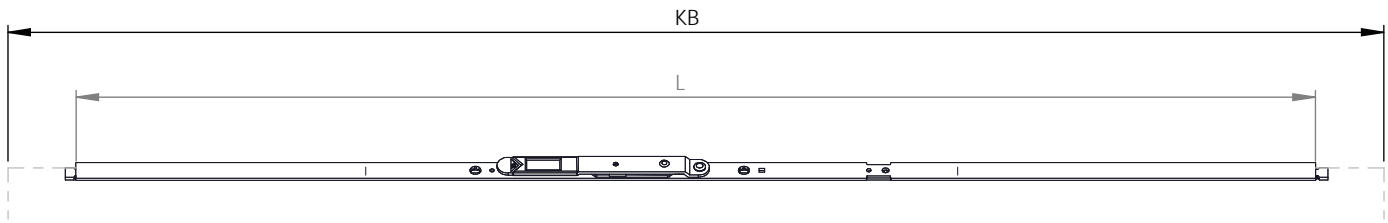





	A	B	Qty. 	Kg
01.TTS.410.01.00	220	81	100	11,15
01.TTS.410.01.01	400	81	100	-

Tilt And Turn Systems

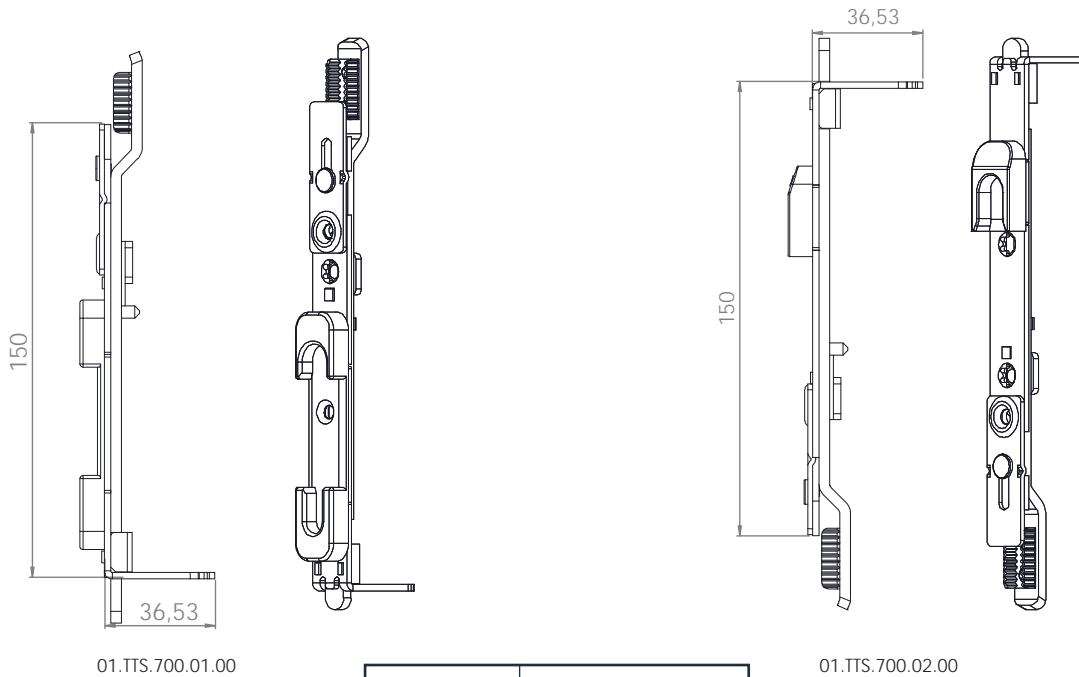
● Double Sash Systems



● Double Sash Espagnollettes



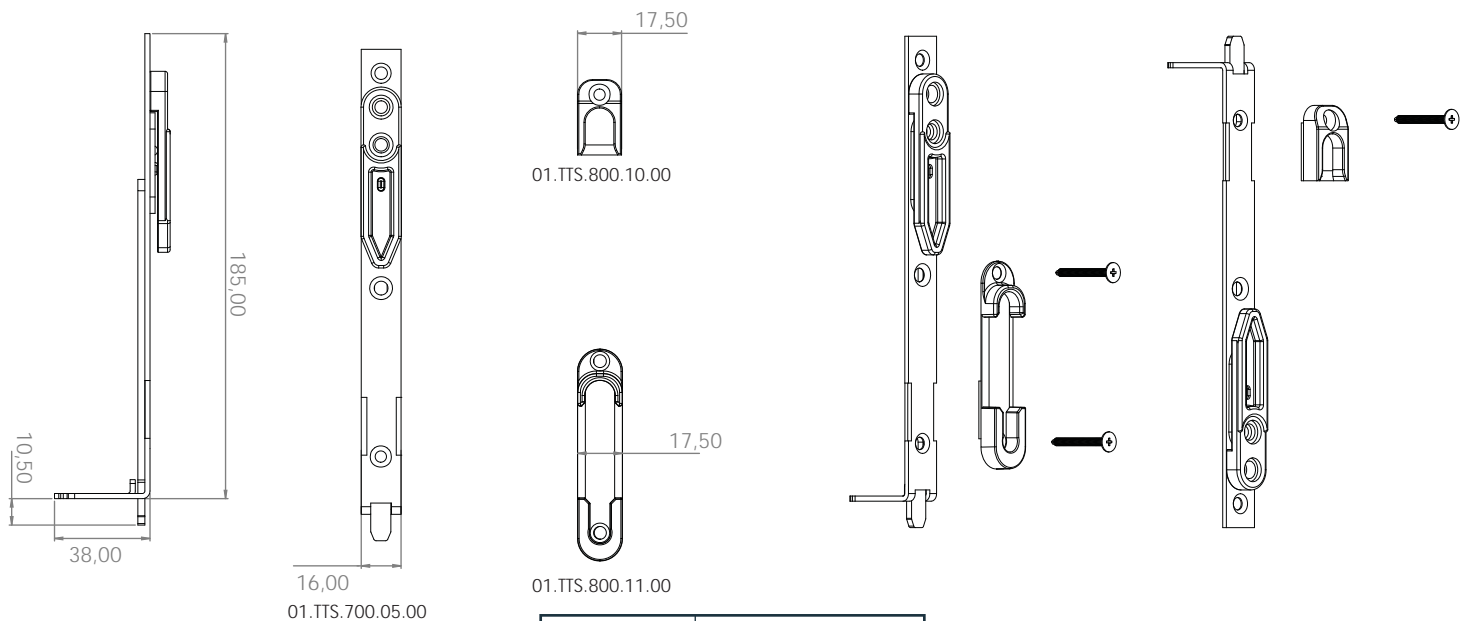
	KB	L		Qty. 	Kg
01.TTS.500.00.01	500-700	400	2	10	2,50
01.TTS.500.00.02	700-1200	900	2	10	5,00
01.TTS.500.00.03	900-1400	1100	2	10	5,75
01.TTS.500.00.04	1200-1700	1400	2	10	7,30
01.TTS.500.00.05	1700-2200	1900	3	10	9,750
01.TTS.500.00.06	1900-2400	2100	3	10	12,00

● Espagnollette Operated Bottom And Top Shootbolt

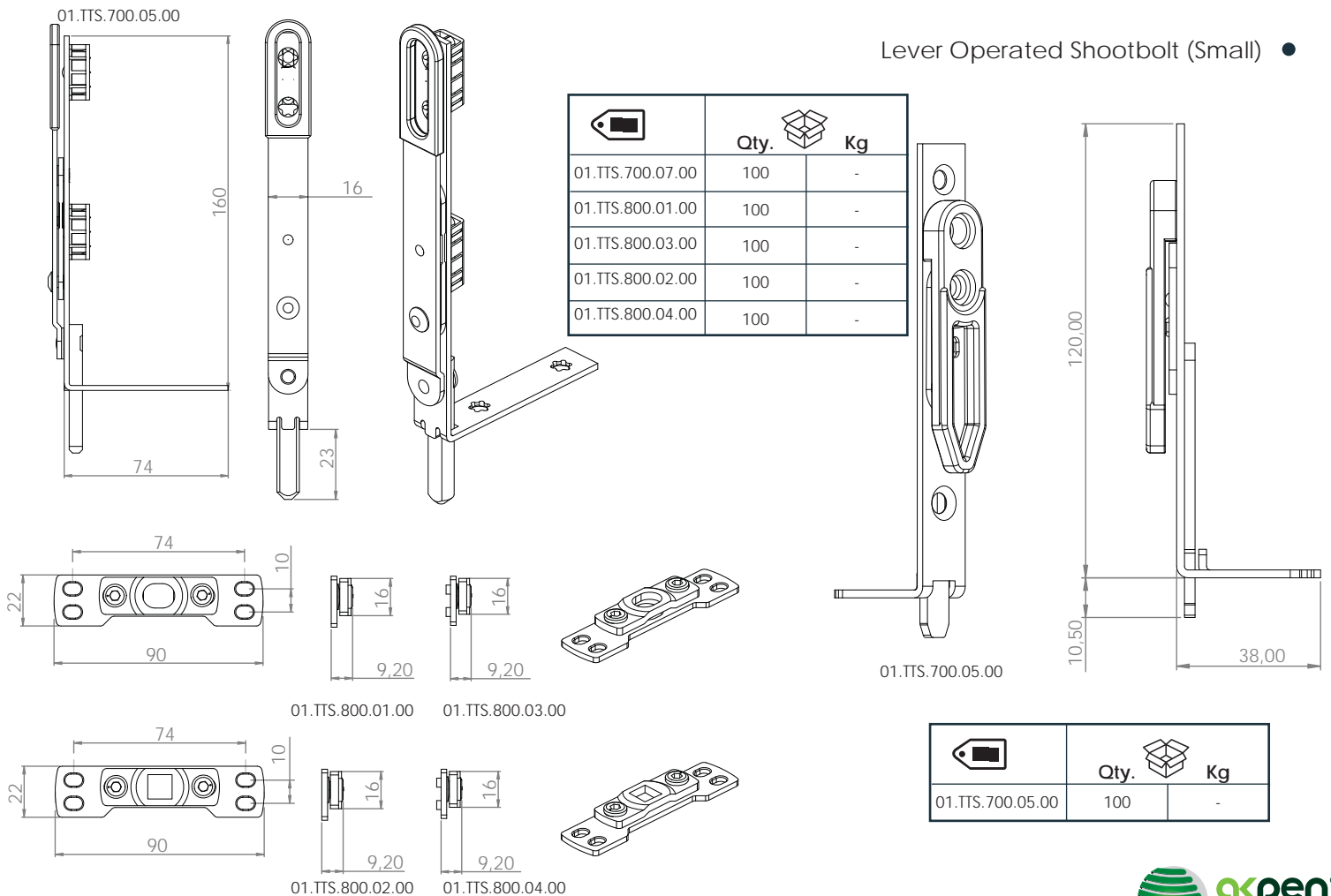


	Qty. 	Kg
01.TTS.700.01.00	100	13,35
01.TTS.700.02.00	100	11,45

Lever Operated Bottom And Top Shootbolt



	Qty.	Kg
01.TTS.700.05.00	100	-
01.TTS.800.10.00	100	-
01.TTS.800.11.00	100	-



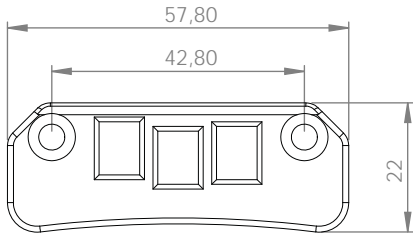
	Qty.	Kg
01.TTS.700.07.00	100	-
01.TTS.800.01.00	100	-
01.TTS.800.03.00	100	-
01.TTS.800.02.00	100	-
01.TTS.800.04.00	100	-

	Qty.	Kg
01.TTS.700.05.00	100	-

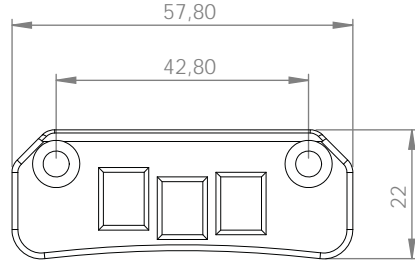
Tilt And Turn Systems

● Double Sash Systems


● Shootbolt Striker



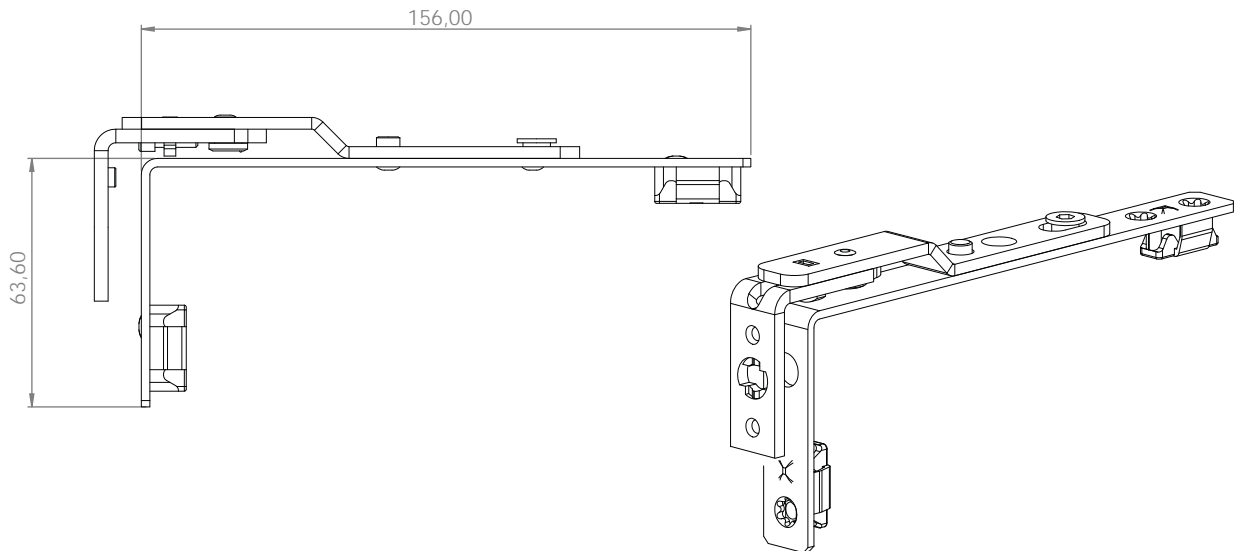
LKK200-01





LKK200-02

	Axis	Qty. 	Kg
01.TTS.800.06.00	9	100	4,49
01.TTS.800.07.00	13	100	4,38

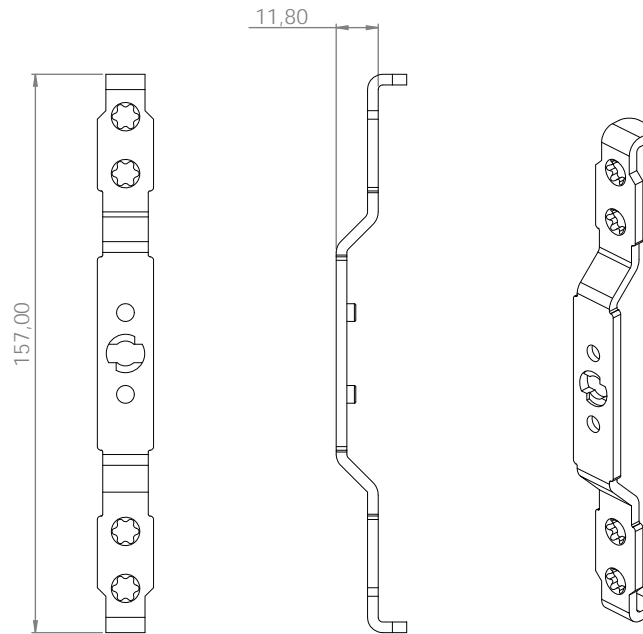
● Side Hung Sash Hinge





	Qty. 	Kg
01.TTS.600.00.00	100	11,080

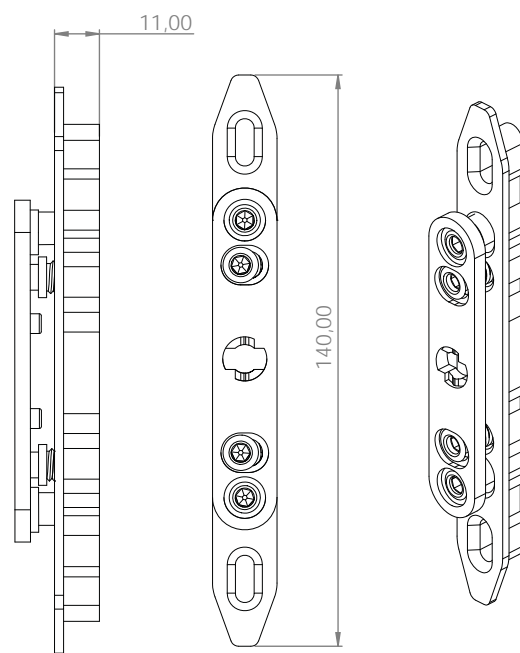
Double Sash Systems ●



Middle Hinge Body ●



	Qty. 	Kg
01.TTS.600.02.00	100	11,080

3D Adj. Middle Hinge Body ●

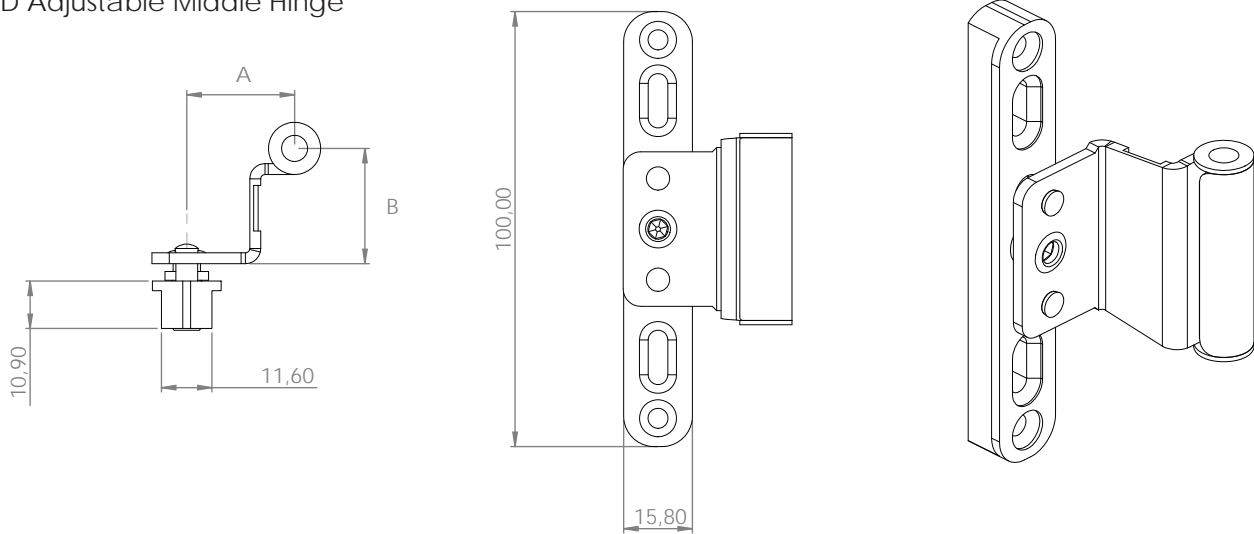




	Qty. 	Kg
01.TTS.600.01.00	100	11,080

Tilt And Turn Systems

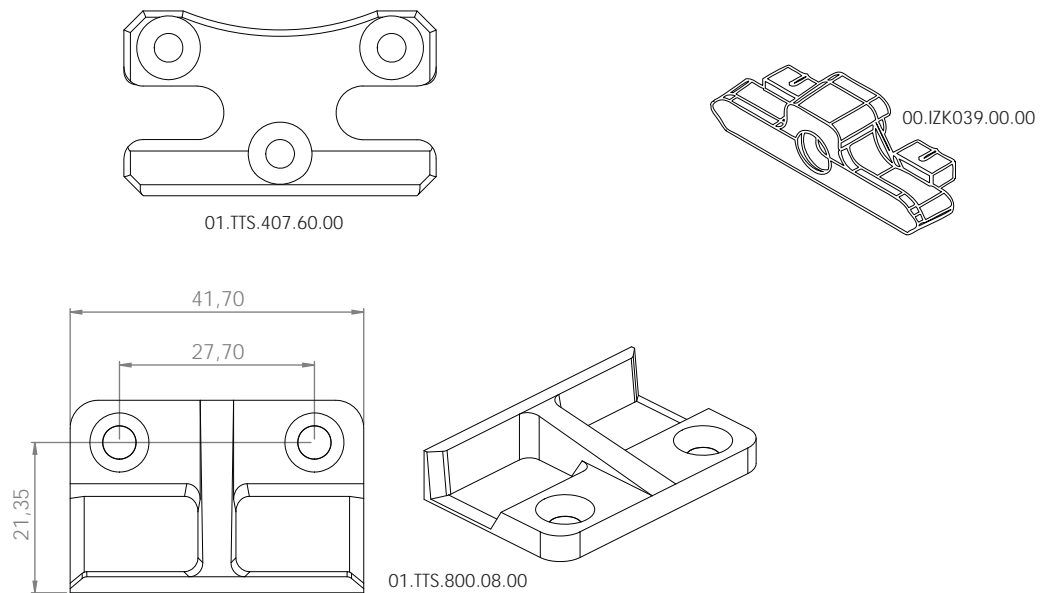
● Double Sash Systems



● 2D Adjustable Middle Hinge



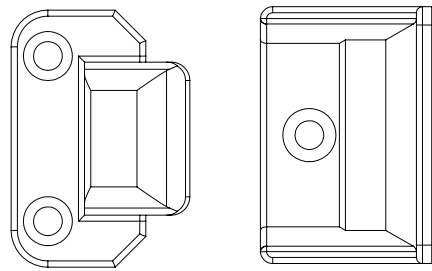
	Axis	Qty. 	Kg
01.TTS.600.03.00	-	-	-


● Locking Plates



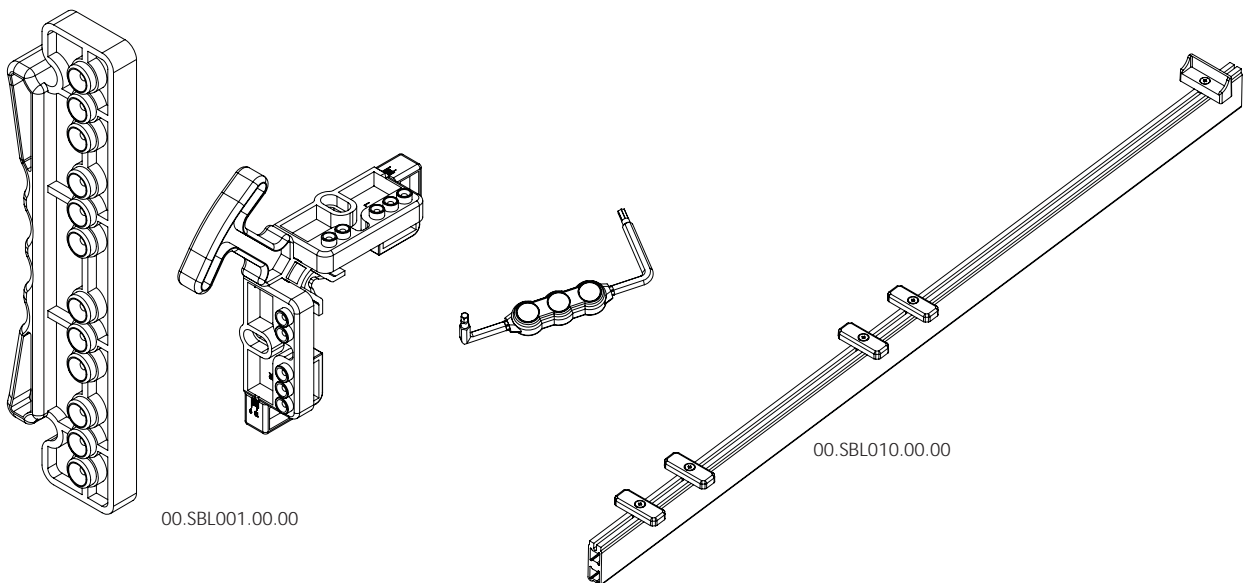
	Axis	Qty. 	Kg
01.TTS.407.60.00	13	100	3,89
01.TTS.800.08.00	-	500	10,30
00.IZK039.00.00	13	500	8,30

Gasket Pressure Hinge ●



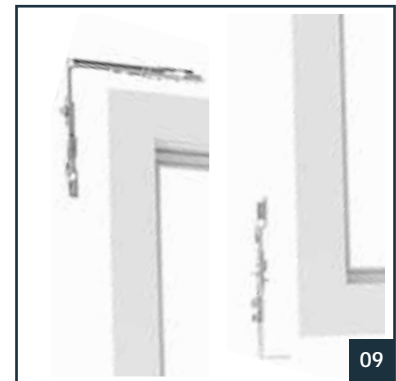
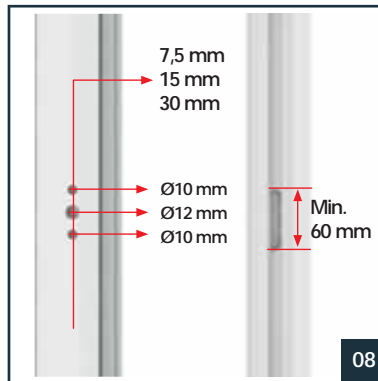
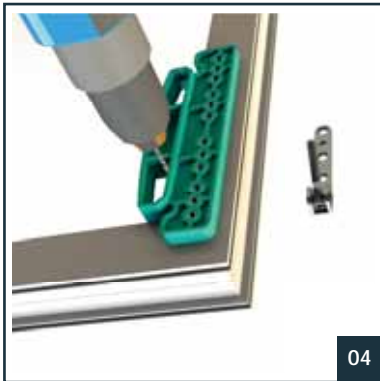
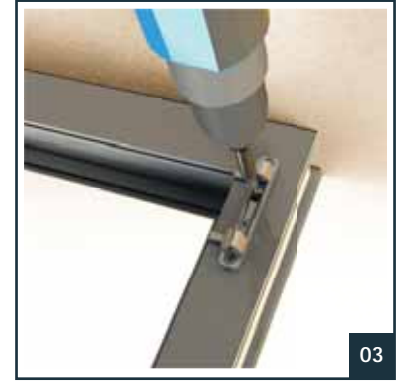
	Axis	Qty. 	Kg
01.TTS.600.04.00	9	100	1,715
01.TTS.600.05.00	13	100	1,730

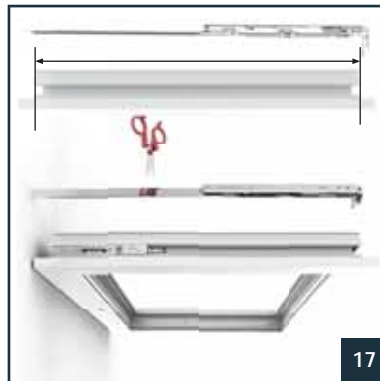
Assembly Instruments ●



Tilt And Turn Systems

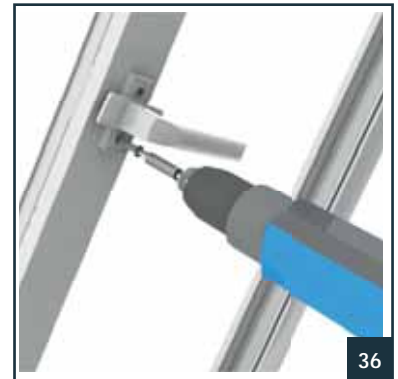
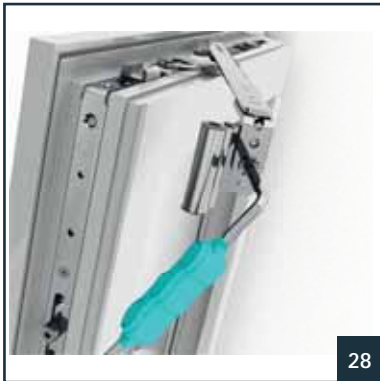
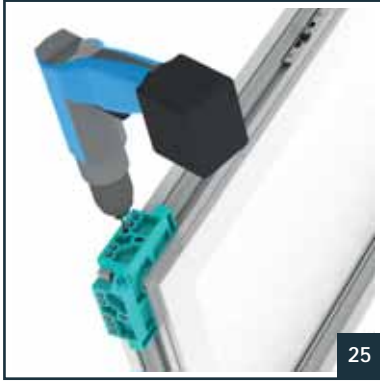
● Assembly Instruction

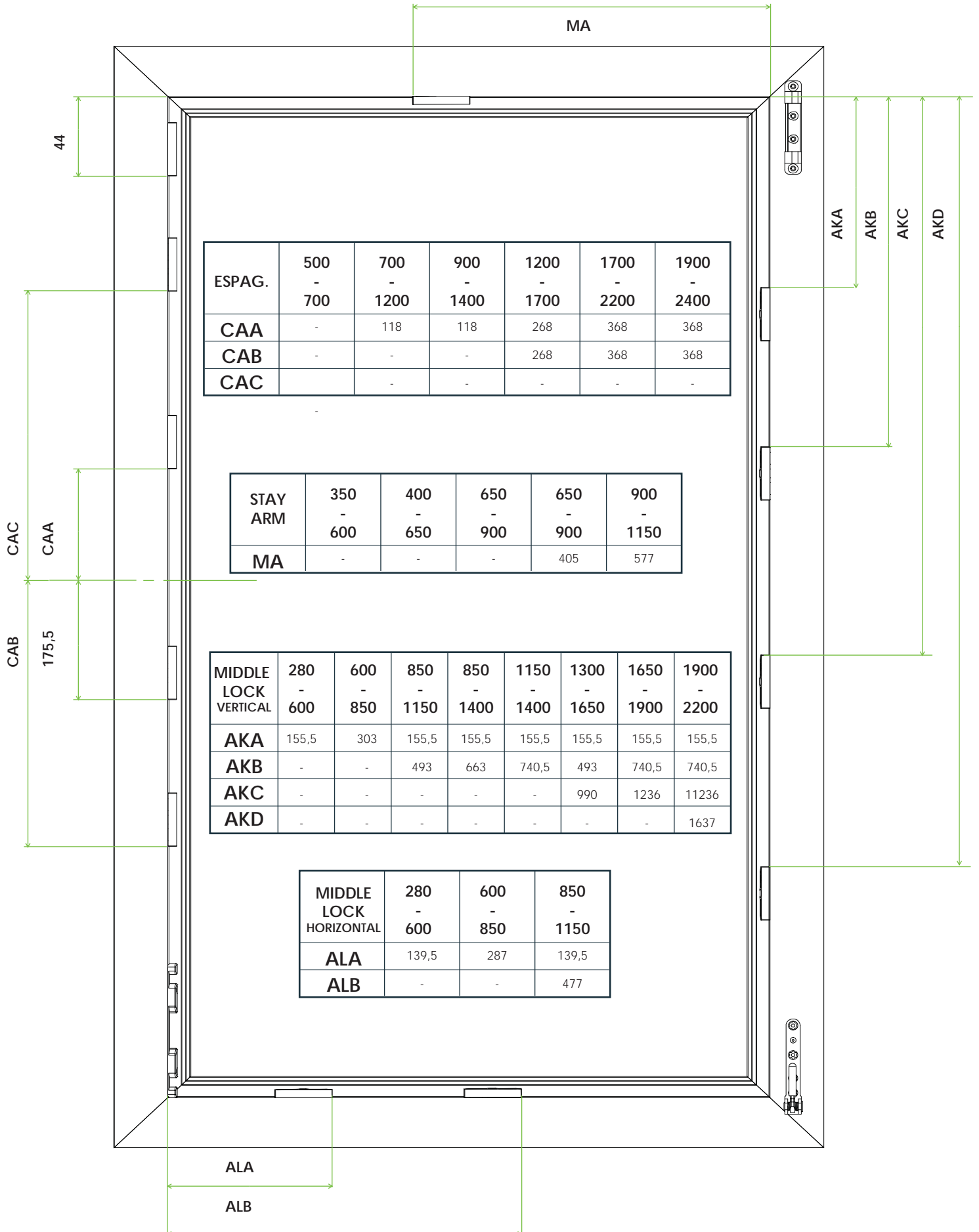




Tilt And Turn Systems

- Assembly Instruction







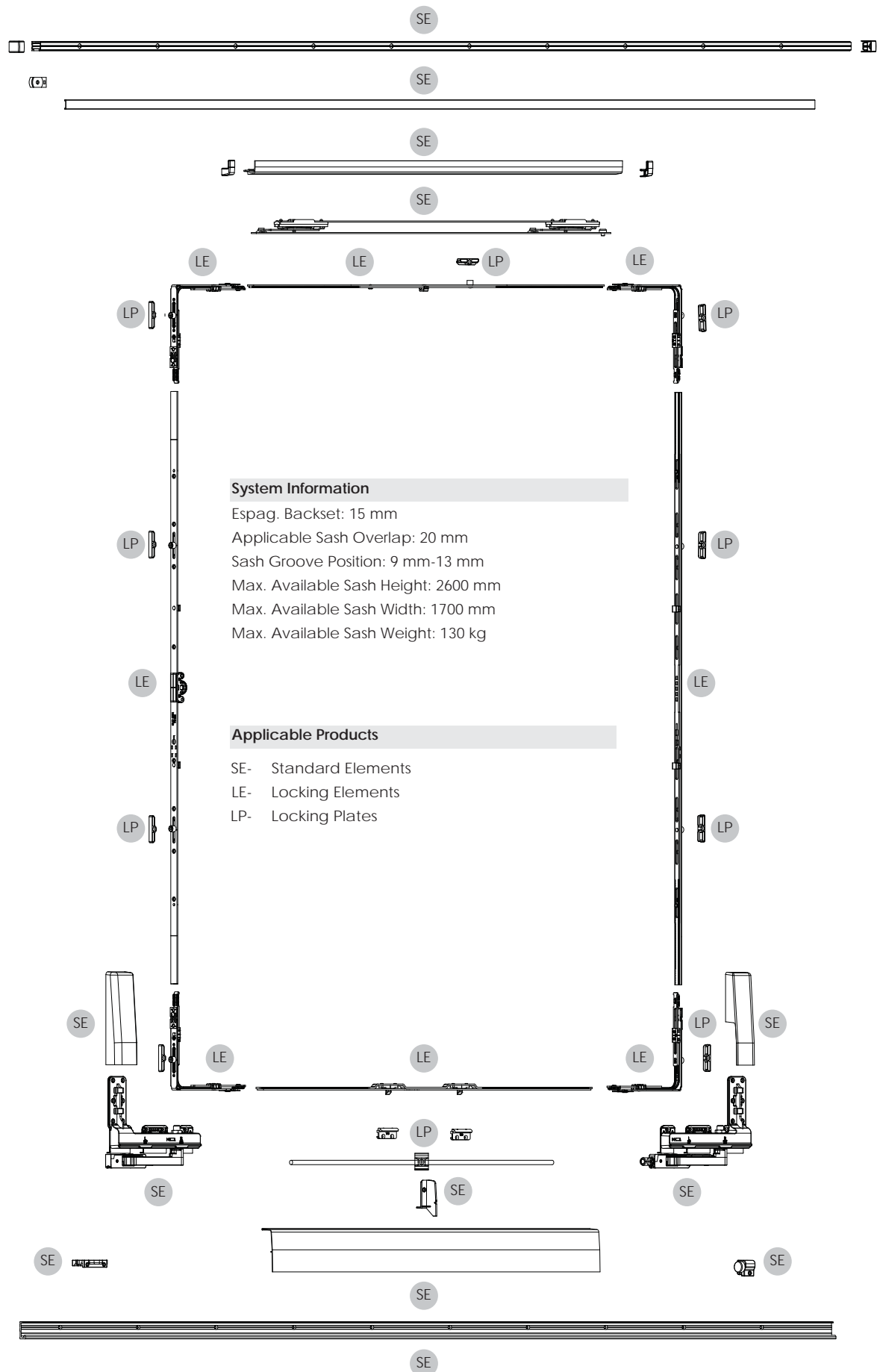


A014

TILT AND SLIDE SYSTEM HANDLE

Tilt And Slide Systems

● 15 mm Backset Basic Security Level Semi Automatic System



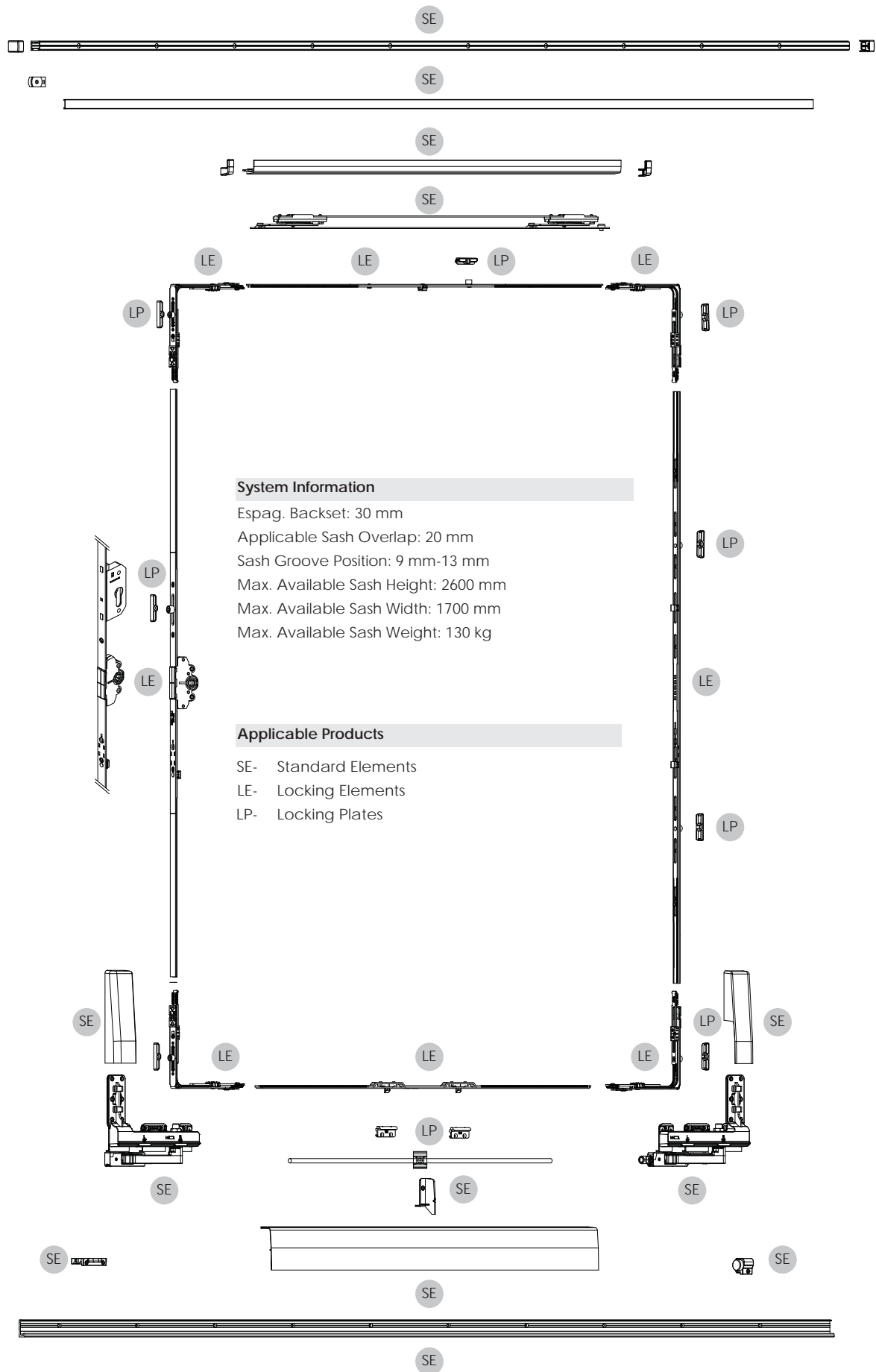
System Information

Espag. Backset: 15 mm
 Applicable Sash Overlap: 20 mm
 Sash Groove Position: 9 mm-13 mm
 Max. Available Sash Height: 2600 mm
 Max. Available Sash Width: 1700 mm
 Max. Available Sash Weight: 130 kg

Applicable Products

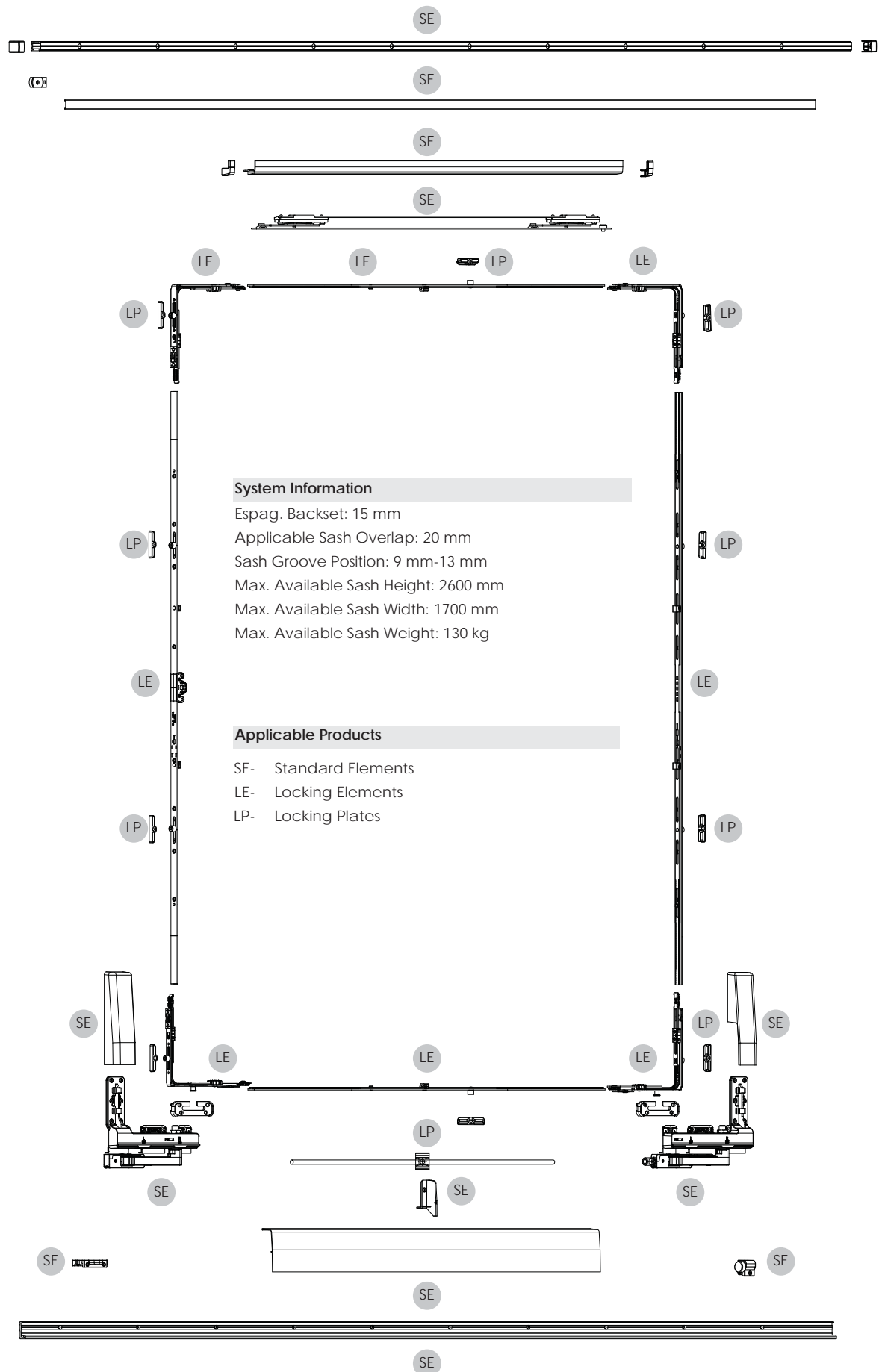
SE- Standard Elements
 LE- Locking Elements
 LP- Locking Plates

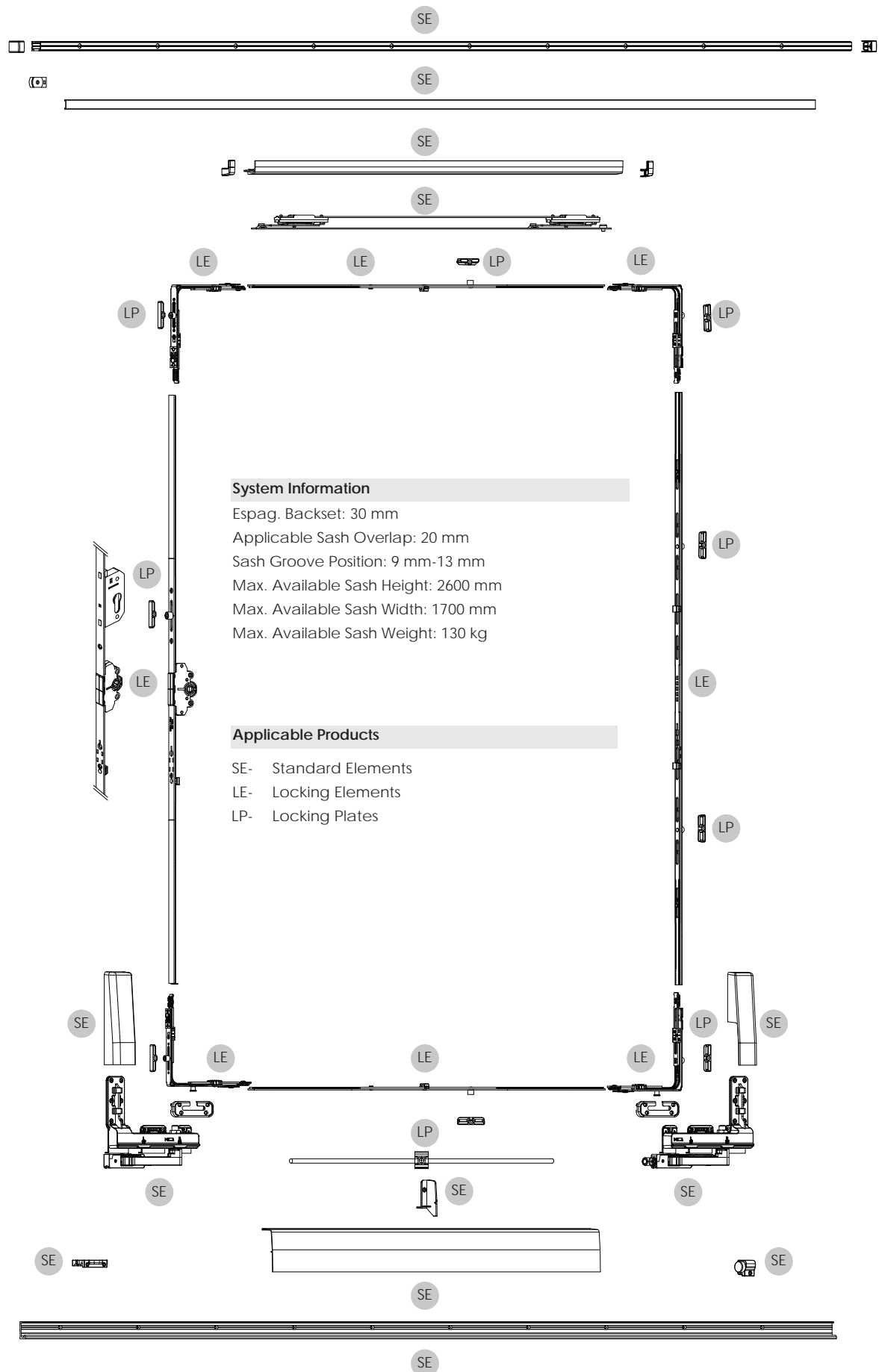
30 mm Backset Basic Security Level Semi Automatic System



Tilt And Slide Systems

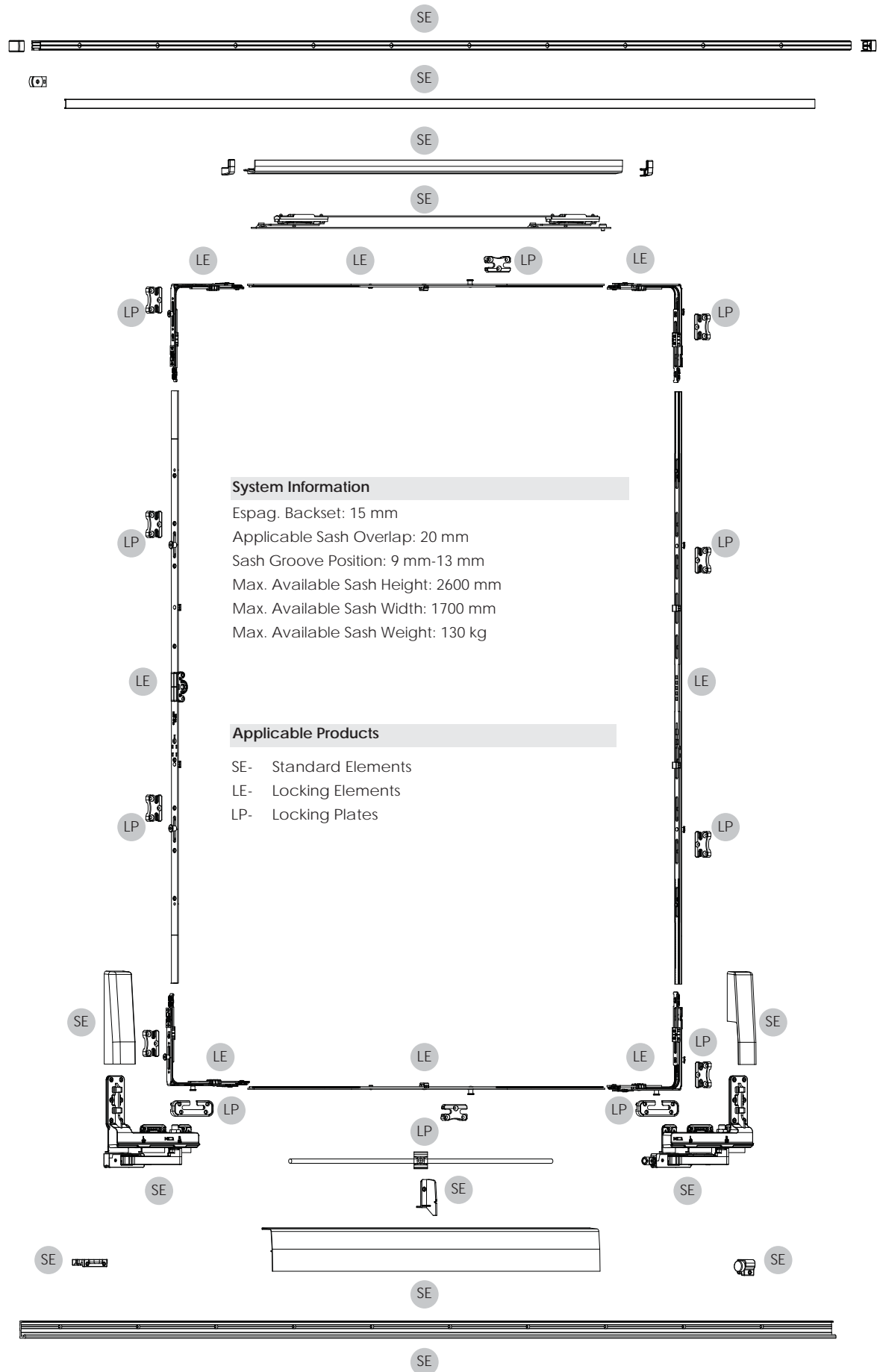
15 mm Backset Basic Security Level Manual System





Tilt And Slide Systems

- 15 mm Backset High Security Level Manual System

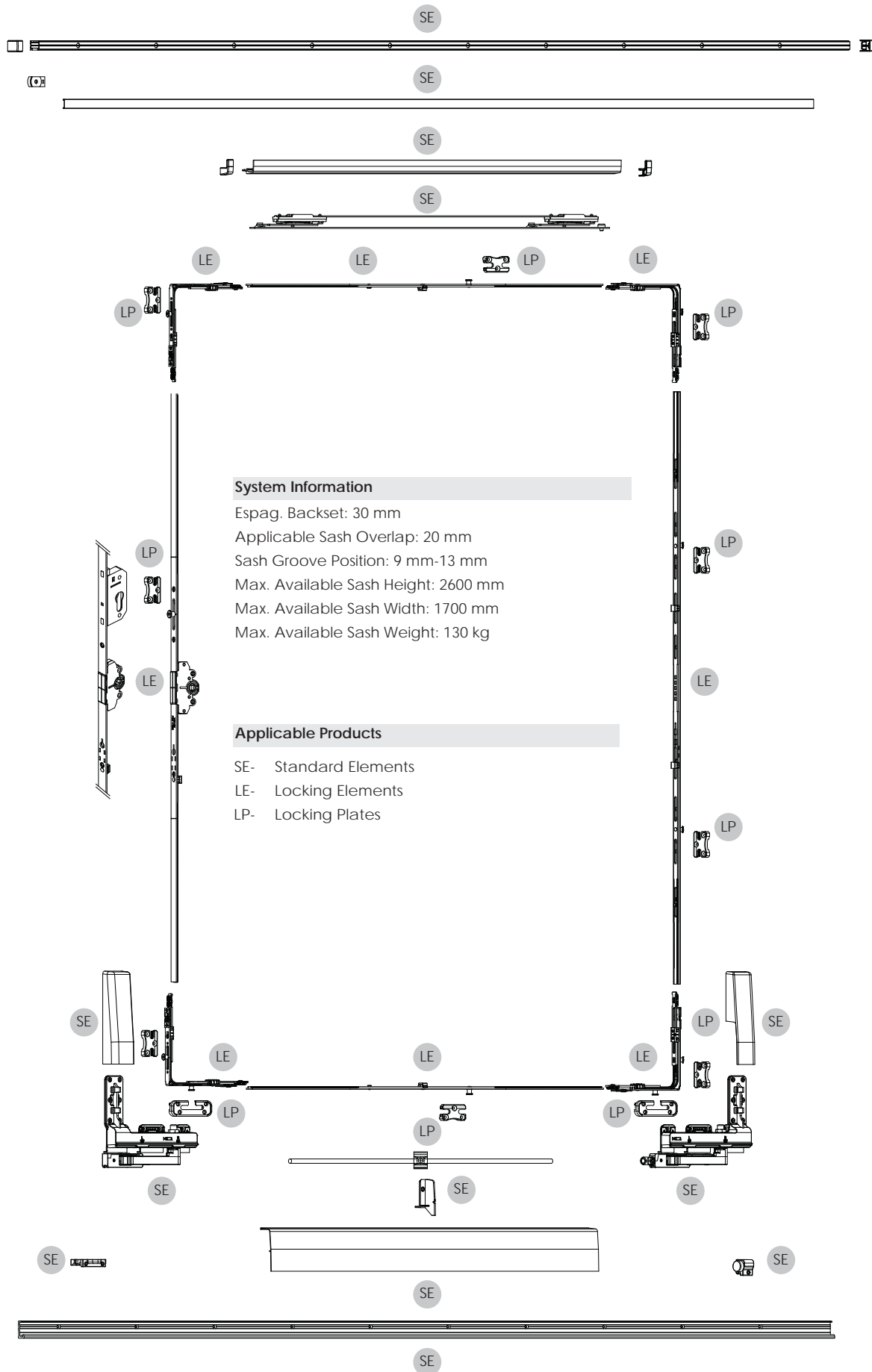


System Information

Espag. Backset: 15 mm
 Applicable Sash Overlap: 20 mm
 Sash Groove Position: 9 mm-13 mm
 Max. Available Sash Height: 2600 mm
 Max. Available Sash Width: 1700 mm
 Max. Available Sash Weight: 130 kg

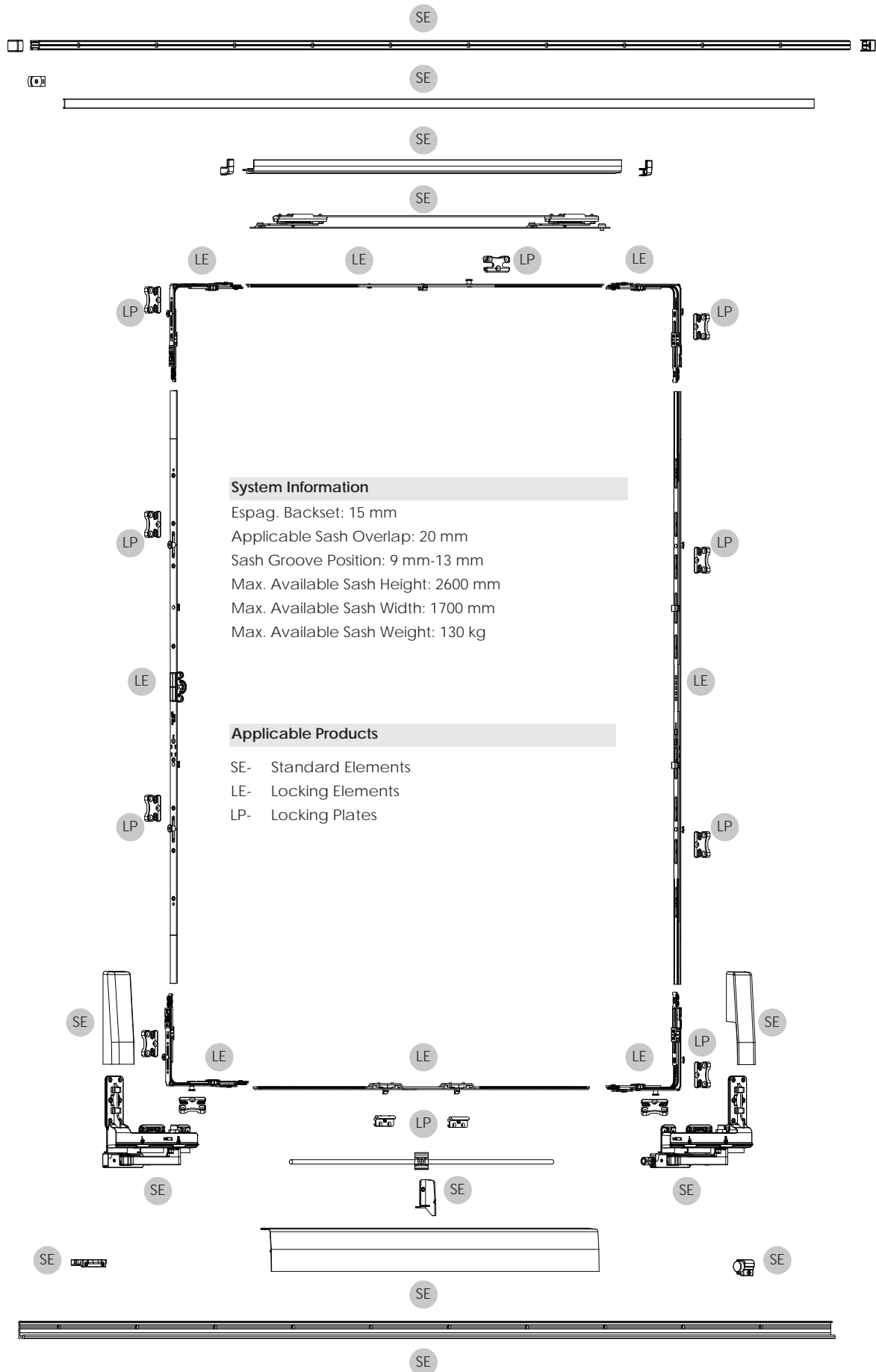
Applicable Products

- SE- Standard Elements
- LE- Locking Elements
- LP- Locking Plates



Tilt And Slide Systems

- 15 mm Backset High Security Level Semi Automatic System



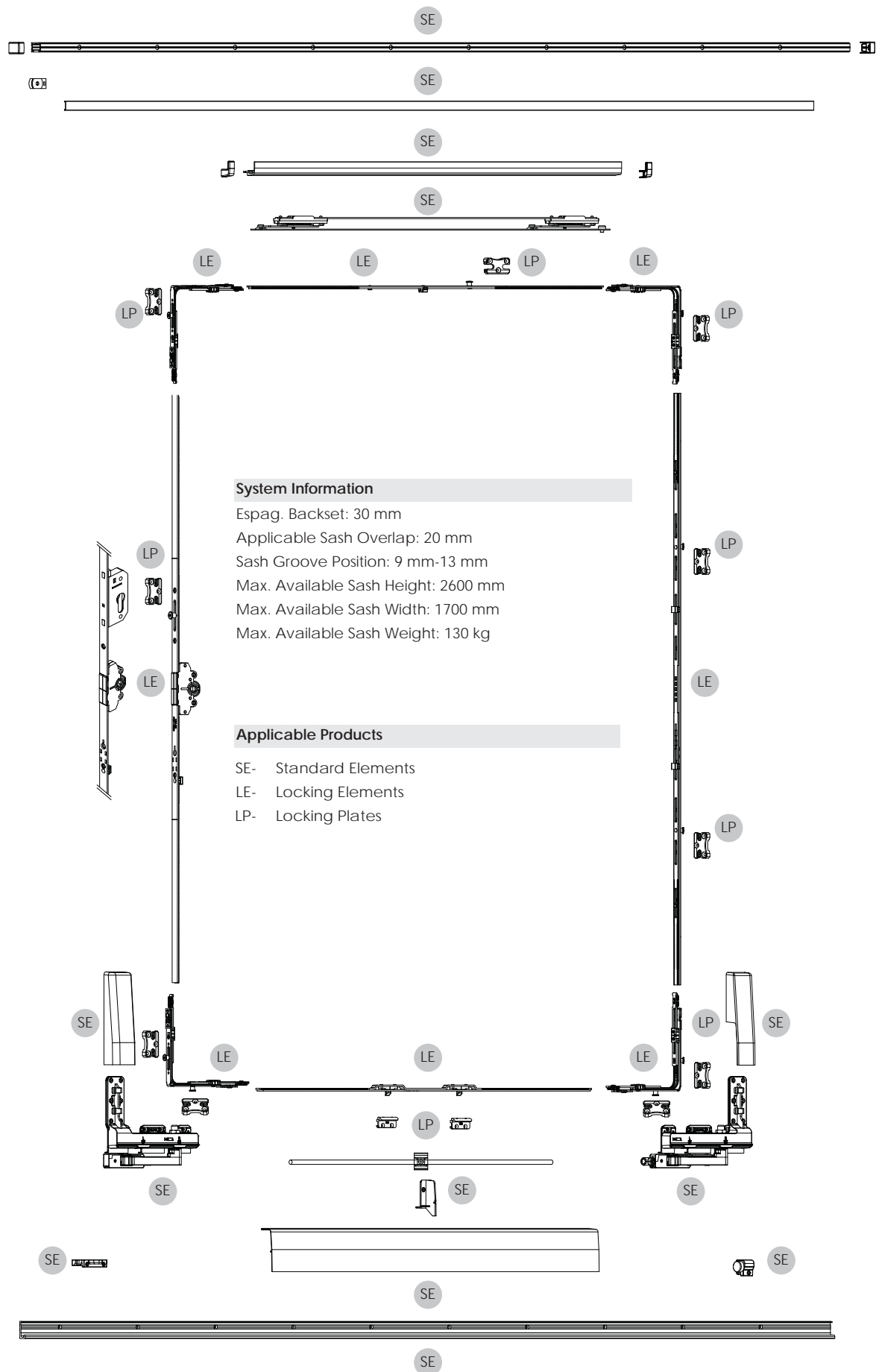
System Information

Espag. Backset: 15 mm
 Applicable Sash Overlap: 20 mm
 Sash Groove Position: 9 mm-13 mm
 Max. Available Sash Height: 2600 mm
 Max. Available Sash Width: 1700 mm
 Max. Available Sash Weight: 130 kg

Applicable Products

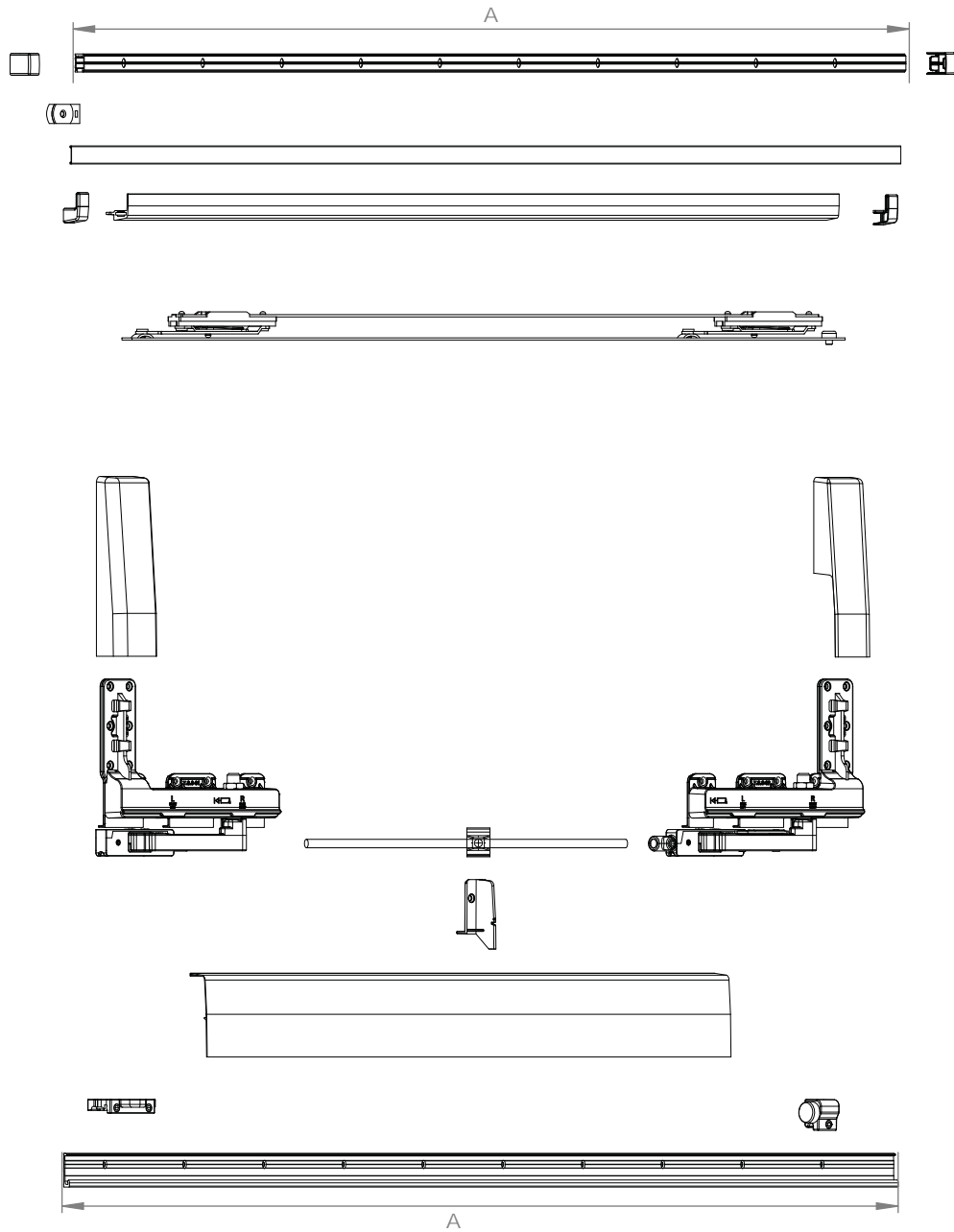
SE- Standard Elements
 LE- Locking Elements
 LP- Locking Plates



30 mm Backset High Security Level Semi Automatic System

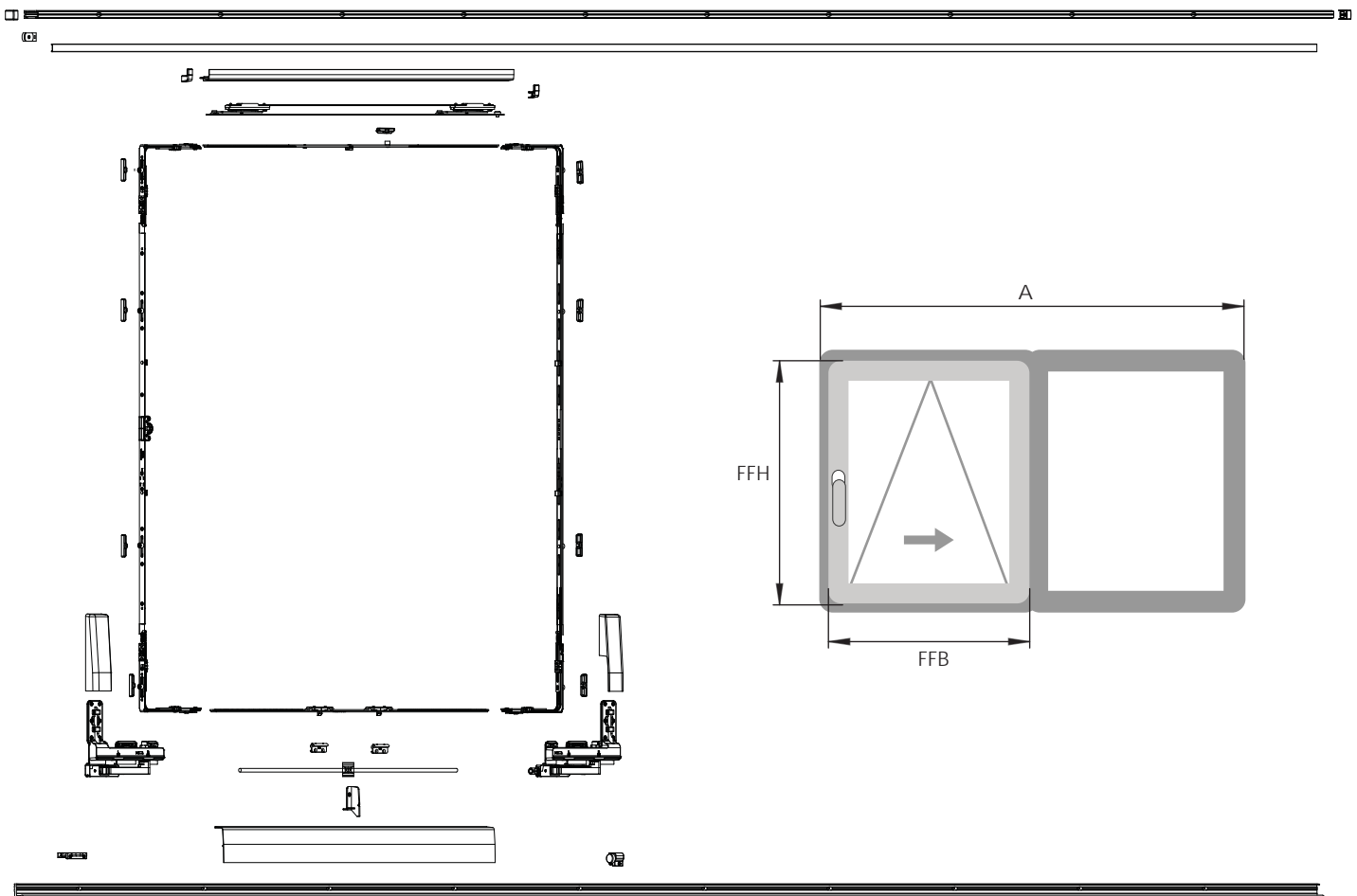


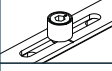
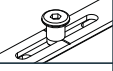

Tilt And Slide Systems

● Classic Tilt And Slide System



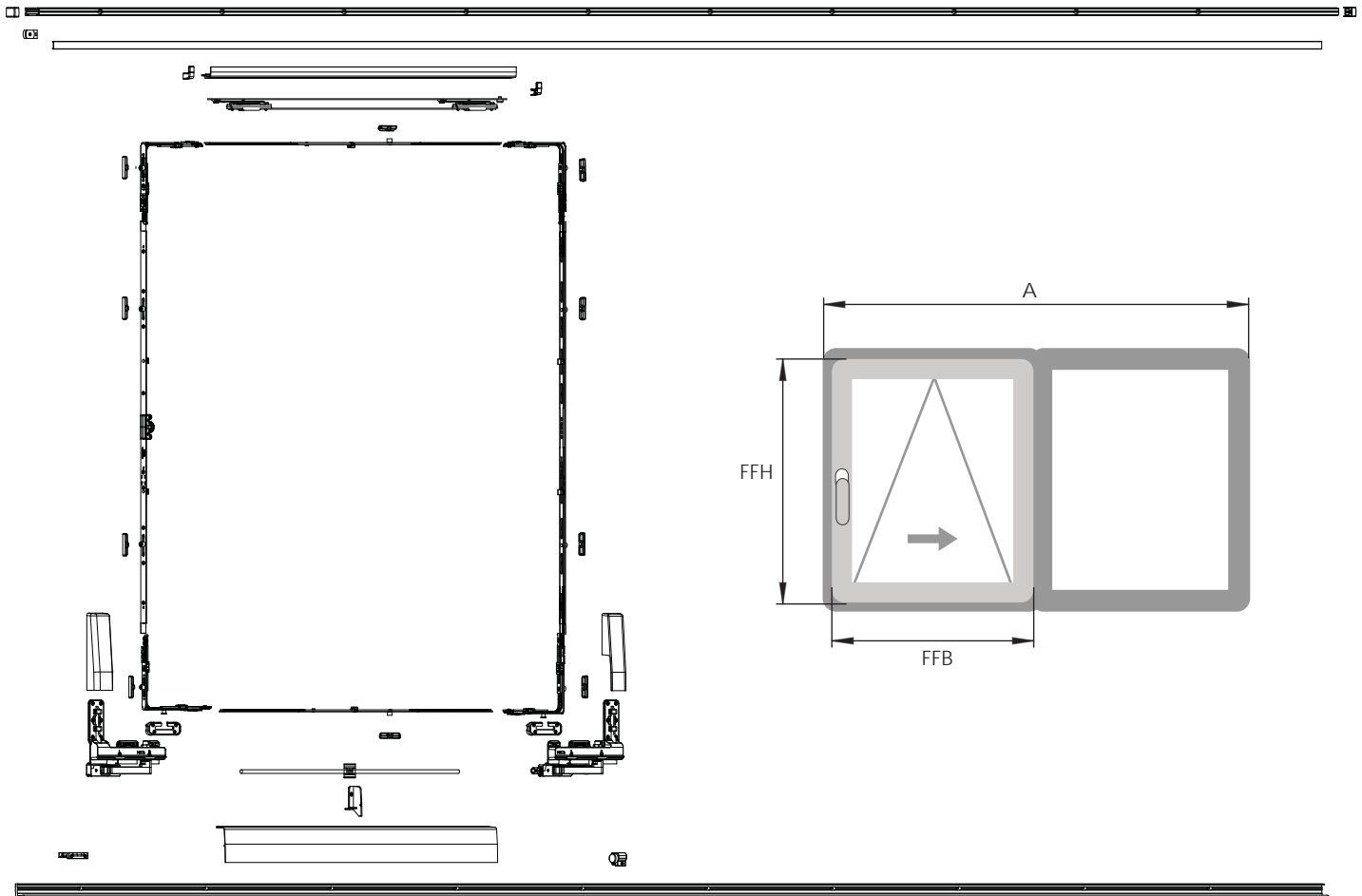
A		Qty. 	Kg
1930	TSS.K 1000	1	5,05
2630	TSS.K 1250	1	5,85
3430	TSS.K 1650	1	7,05

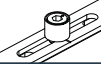
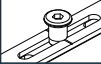



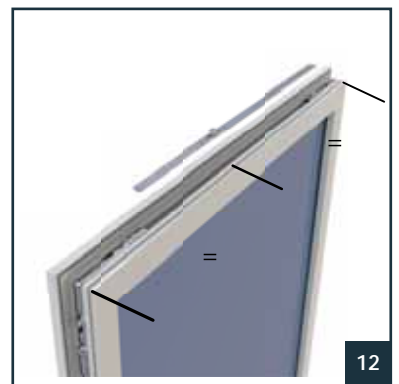
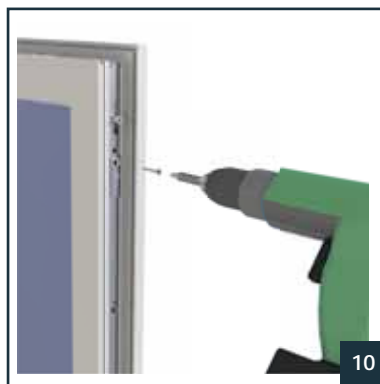
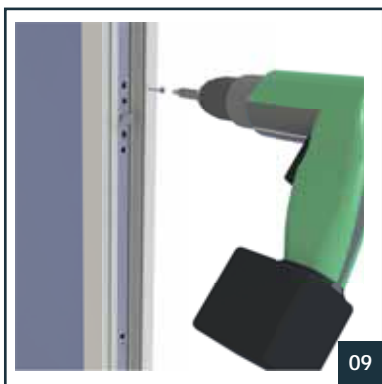
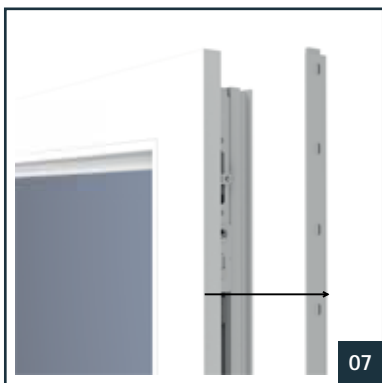
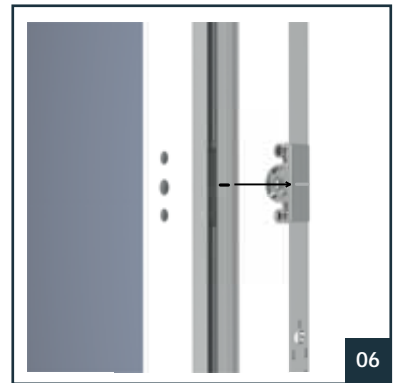
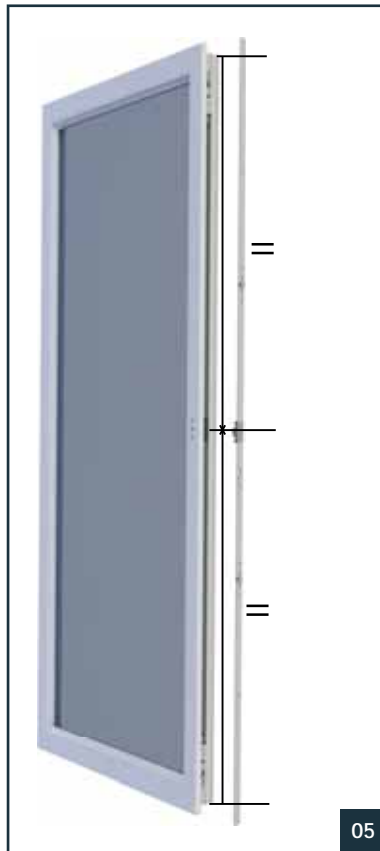
A	FFB	FFH			Qty. 	Kg
1930	600 - 900	700 - 1200	TSS 1930-A	TSSE 1930-A	1	-
		900 - 1400	TSS 1930-B	TSSE 1930-B	1	-
		1200 - 1700	TSS 1930-C	TSSE 1930-C	1	-
		1700 - 2200	TSS 1930-D	TSSE 1930-D	1	-
		1900 - 2400	TSS 1930-E	TSSE 1930-E	1	-
2630	900 - 1200	700 - 1200	TSS 2630-A	TSSE 2630-A	1	-
		900 - 1400	TSS 2630-B	TSSE 2630-B	1	-
		1200 - 1700	TSS 2630-C	TSSE 2630-C	1	-
		1700 - 2200	TSS 2630-D	TSSE 2630-D	1	-
		1900 - 2400	TSS 2630-E	TSSE 2630-E	1	-
3430	1200 - 1500	700 - 1200	TSS 3430-F	TSSE 3430-F	1	-
		900 - 1400	TSS 3430-G	TSSE 3430-G	1	-
		1200 - 1700	TSS 3430-H	TSSE 3430-H	1	-
		1700 - 2200	TSS 3430-K	TSSE 3430-K	1	-
		1900 - 2400	TSS 3430-L	TSSE 3430-L	1	-
	1500 - 1700	700 - 1200	TSS 3430-A	TSSE 3430-A	1	-
		900 - 1400	TSS 3430-B	TSSE 3430-B	1	-
		1200 - 1700	TSS 3430-C	TSSE 3430-C	1	-
		1700 - 2200	TSS 3430-D	TSSE 3430-D	1	-
		1900 - 2400	TSS 3430-E	TSSE 3430-E	1	-

Tilt And Slide Systems

● Manual Tilt And Slide Systems

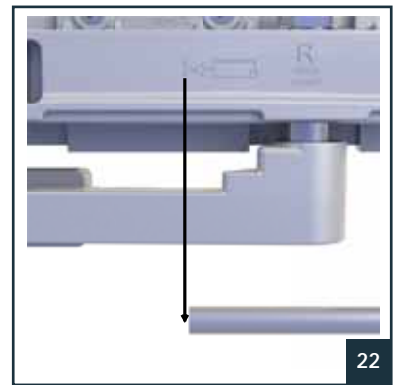
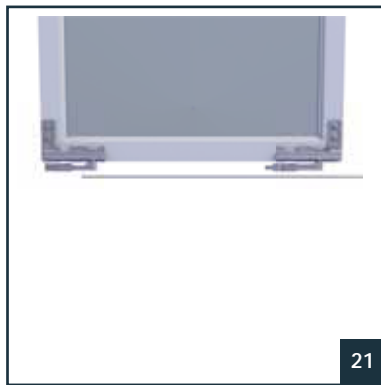
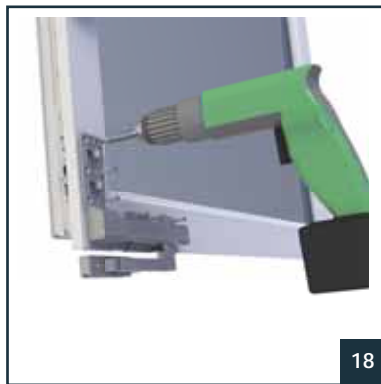


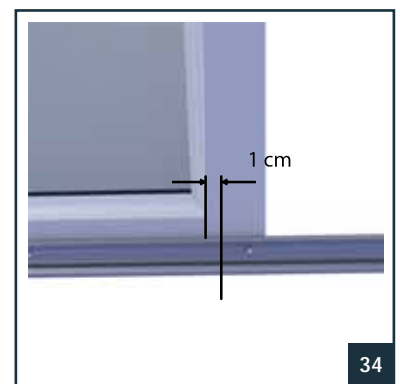
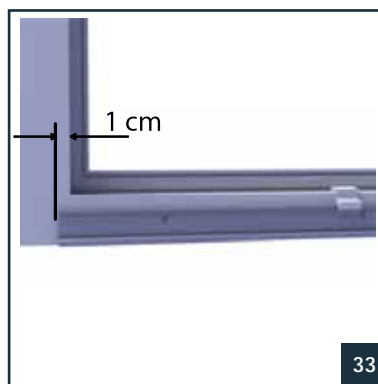
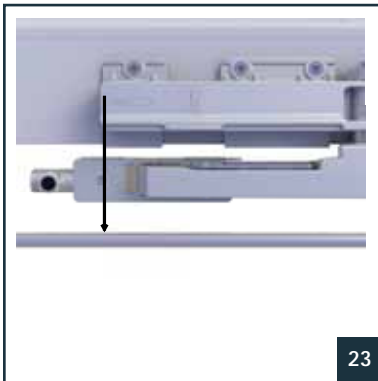
A	FFB	FFH			Qty. 	Kg
1930	600 - 900	700 - 1200	TSS 1930-M	TSSE 1930-M	1	-
		900 - 1400	TSS 1930-N	TSSE 1930-N	1	-
		1200 - 1700	TSS 1930-O	TSSE 1930-O	1	-
		1700 - 2200	TSS 1930-P	TSSE 1930-P	1	-
		1900 - 2400	TSS 1930-R	TSSE 1930-R	1	-
2630	900 - 1200	700 - 1200	TSS 2630-M	TSSE 2630-M	1	-
		900 - 1400	TSS 2630-N	TSSE 2630-N	1	-
		1200 - 1700	TSS 2630-O	TSSE 2630-O	1	-
		1700 - 2200	TSS 2630-P	TSSE 2630-P	1	-
		1900 - 2400	TSS 2630-R	TSSE 2630-R	1	-
3430	1200 - 1500	700 - 1200	TSS 3430-S	TSSE 3430-S	1	-
		900 - 1400	TSS 3430-T	TSSE 3430-T	1	-
		1200 - 1700	TSS 3430-U	TSSE 3430-U	1	-
		1700 - 2200	TSS 3430-V	TSSE 3430-V	1	-
		1900 - 2400	TSS 3430-Y	TSSE 3430-Y	1	-
	1500 - 1700	700 - 1200	TSS 3430-M	TSSE 3430-M	1	-
		900 - 1400	TSS 3430-N	TSSE 3430-N	1	-
		1200 - 1700	TSS 3430-O	TSSE 3430-O	1	-
		1700 - 2200	TSS 3430-P	TSSE 3430-P	1	-
		1900 - 2400	TSS 3430-R	TSSE 3430-R	1	-



Tilt And Slide Systems

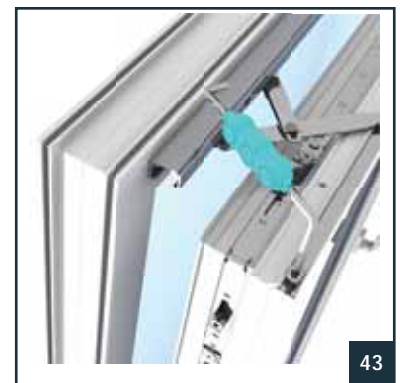
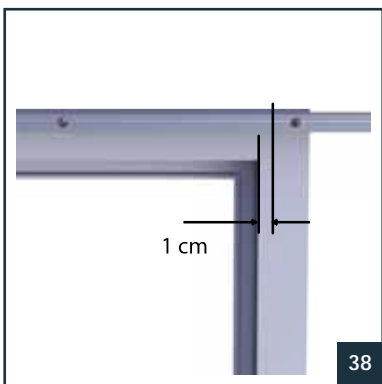
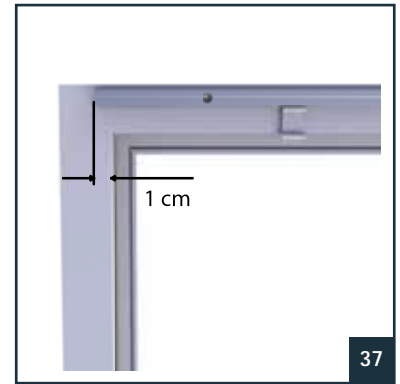
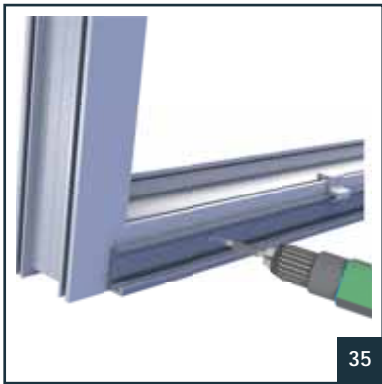
● Assembly Instructions

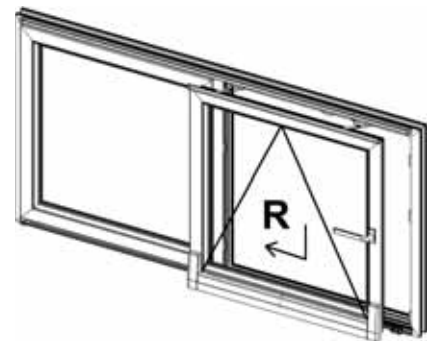
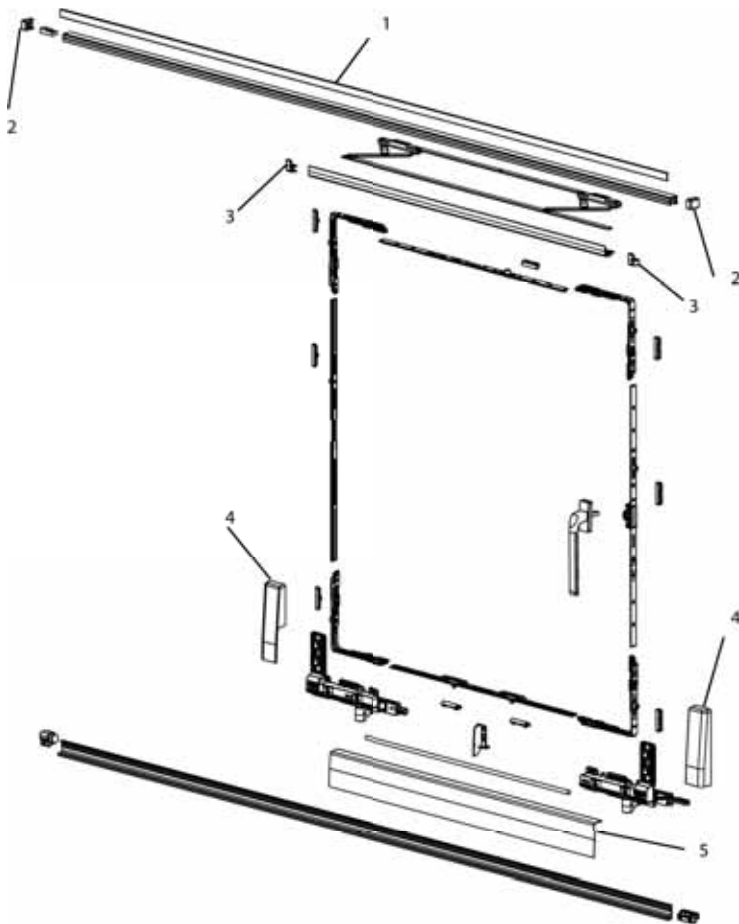
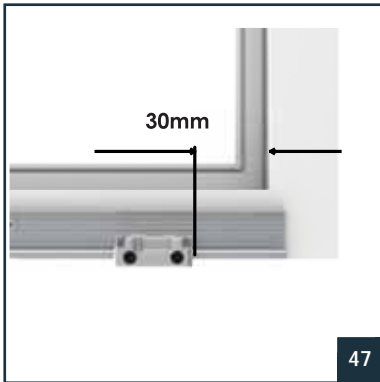




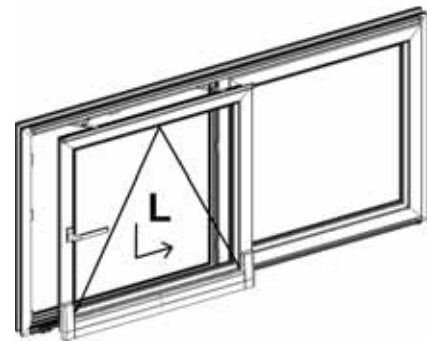
Tilt and Slide Systems

● Assembly Instructions





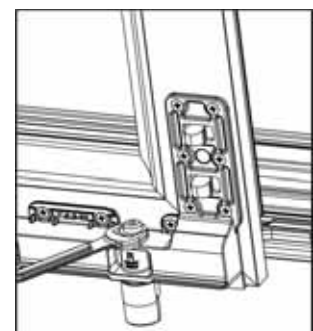
RIGHT DOOR

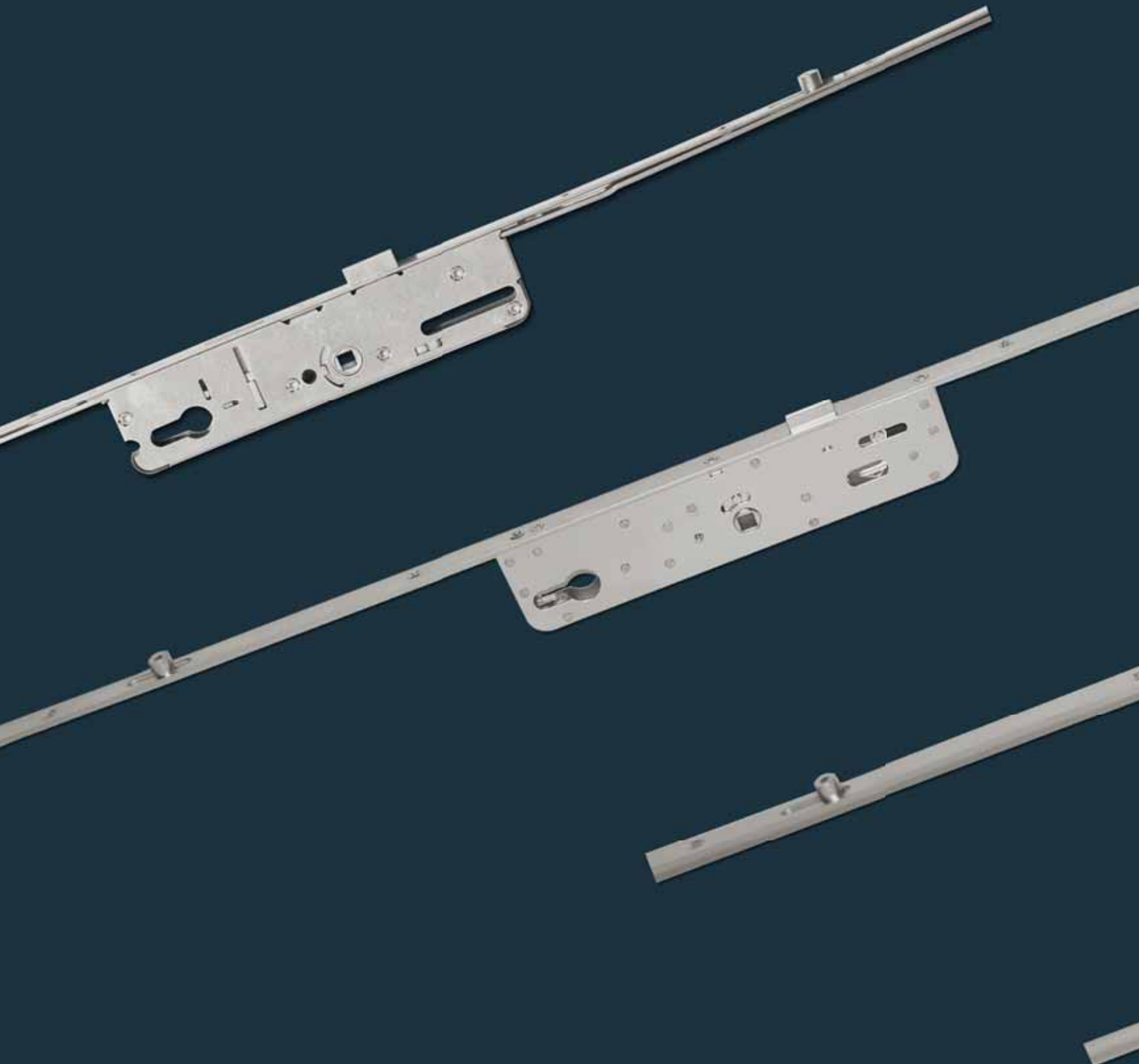


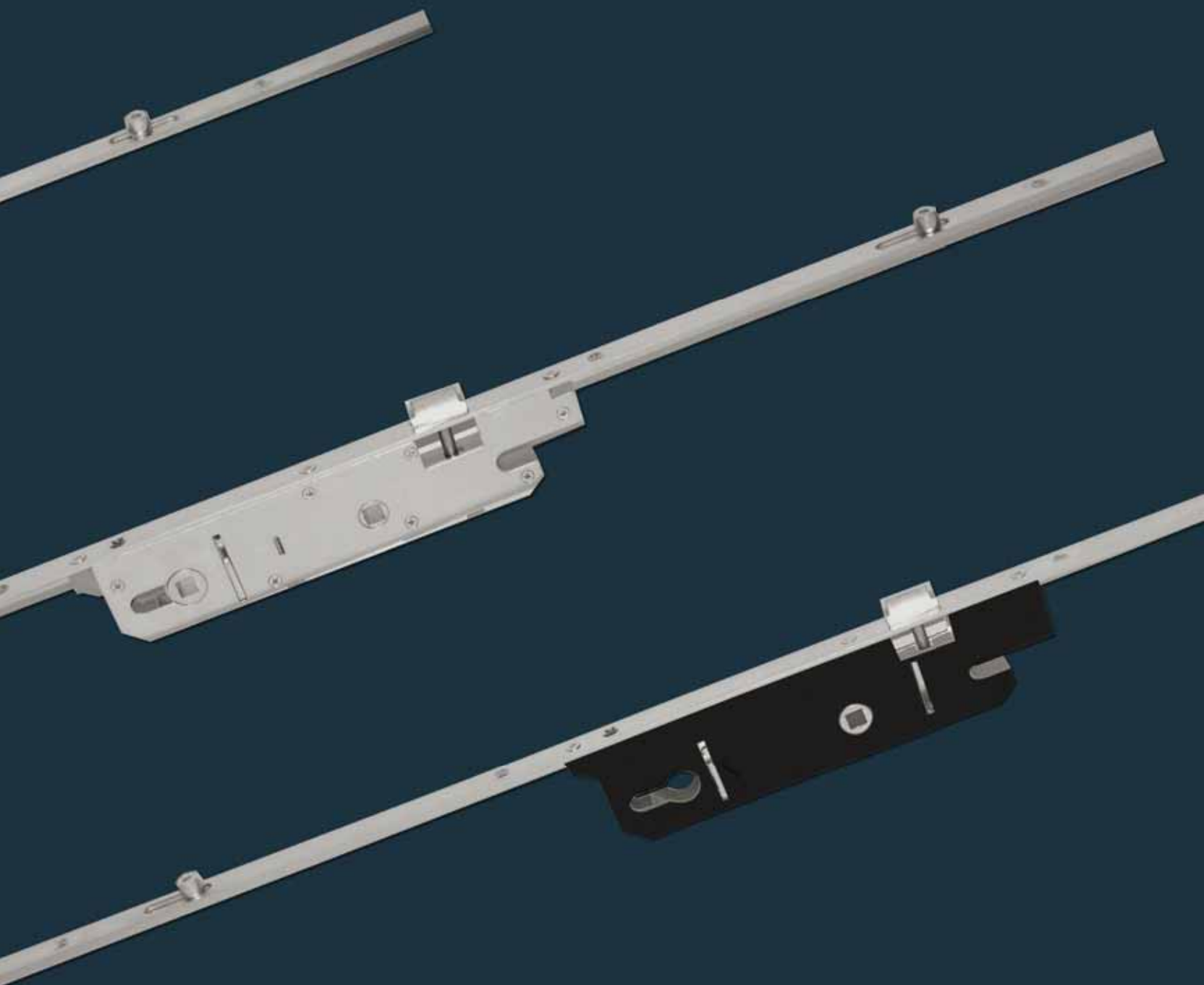
LEFT DOOR

- 1- Top Rail Cover is cutted as long as Top Rail's lenght and assembled to Top Rail.
- 2- Top rail side covers are fixed to Top Rail after assembly of Top Rail Cover.
- 3- Sash Connection Profile covers are assembled to profile.
- 4- Aluminium Rail Cover is assembled to Aluminium Rail Cover Holder.
- 5- As last step of assembly, roller covers are assembled to rollers and assembly process is finished.

Sash height adjustent can be done by unfastening the nut onto the roller by 19 key and by fastening or unfastening the hex screw by SW4 Hex Key.



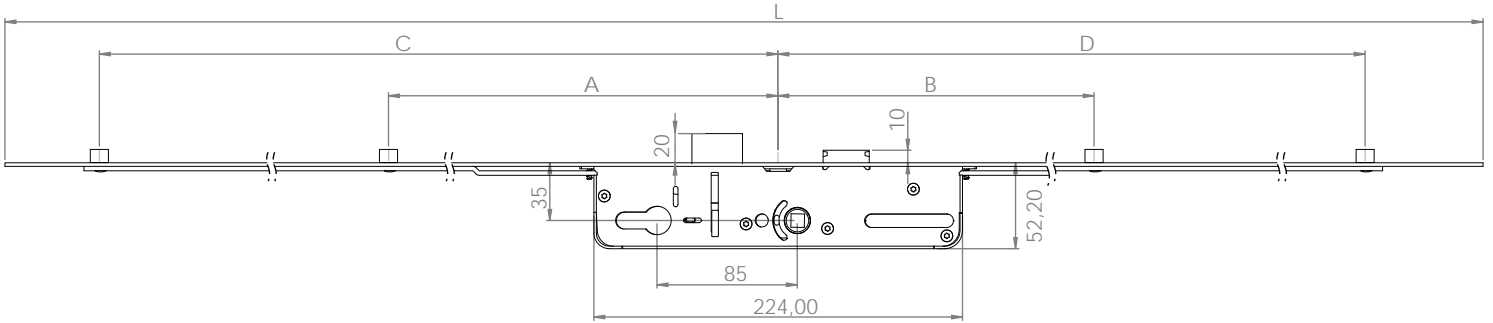




Multipoint Locks

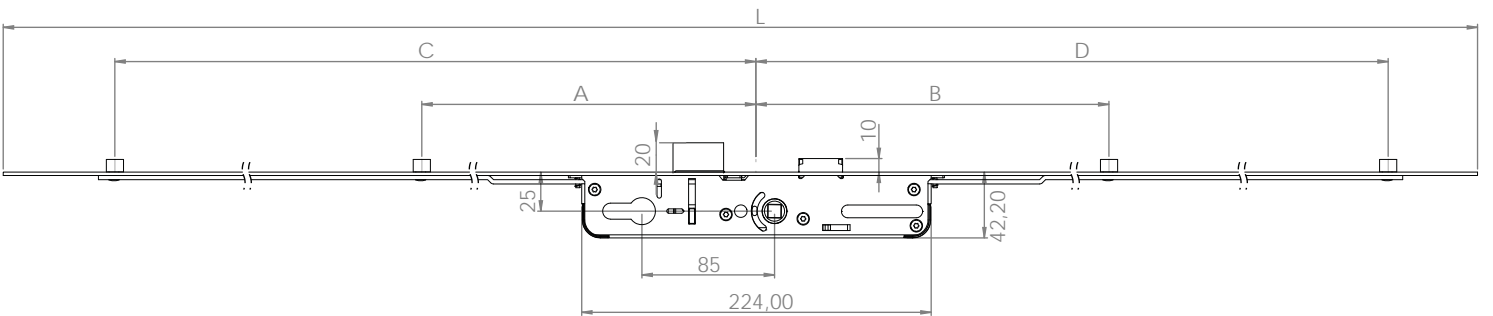
● Handle Operated

● PZ: 85 mm Backset: 35 mm (Deluxe Series - Metal Lock Case)



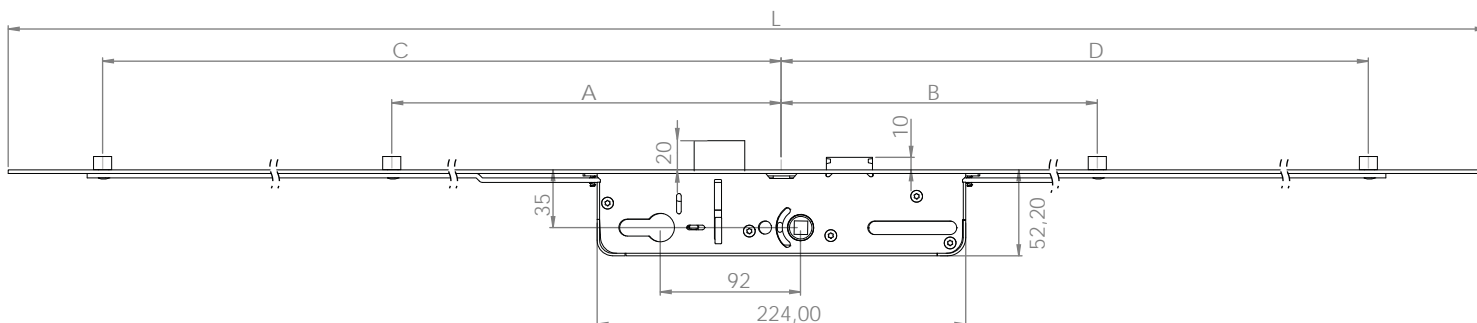
			L	A	B	C	D			Qty.		Kg
01.KKI063.00.00	01.KKI063.01.00	X	1600	278	288	725	725	8	4	20		22,95
01.KKI064.00.00	01.KKI064.01.00	X	1800	284	293	825	825	10	4	20		25,40
01.KKI065.00.00	01.KKI065.01.00	X	2000	379	395	925	925	10	4	20		27,15
01.KKI066.00.00	01.KKI066.01.00	✓	1600	278	288	725	725	8	4	20		23,55
01.KKI067.00.00	01.KKI067.01.00	✓	1800	284	293	825	825	10	4	20		26,15
01.KKI068.00.00	01.KKI068.01.00	✓	2000	379	395	925	925	10	4	20		27,40

● PZ: 85 mm Backset: 25 mm (Deluxe Series - Metal Lock Case)



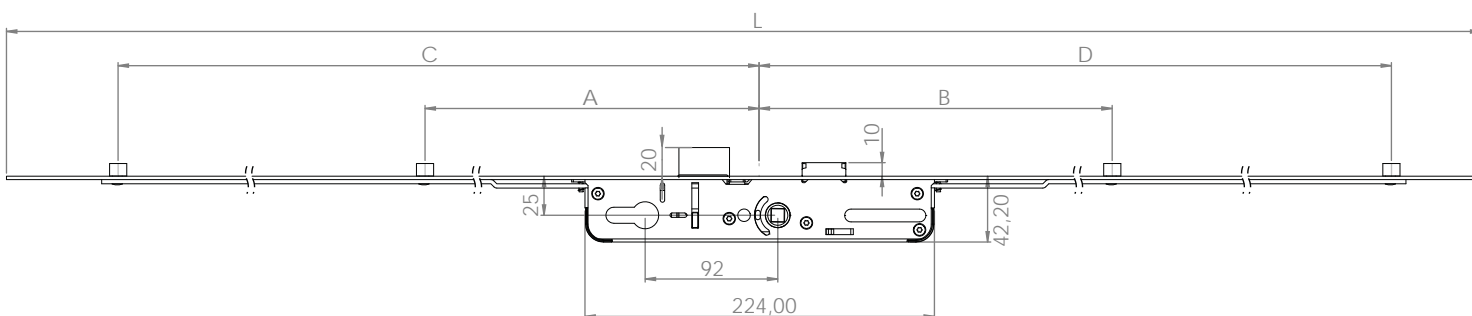
			L	A	B	C	D			Qty.		Kg
01.KKI069.00.00	01.KKI069.01.00	X	1600	278	288	725	725	8	4	20		20,75
01.KKI070.00.00	01.KKI070.01.00	X	1800	284	293	825	825	10	4	20		22,60
01.KKI071.00.00	01.KKI071.01.00	X	2000	379	395	925	925	10	4	20		24,65
01.KKI072.00.00	01.KKI072.01.00	✓	1600	278	288	725	725	8	4	20		23,55
01.KKI073.00.00	01.KKI073.01.00	✓	1800	284	293	825	825	10	4	20		26,15
01.KKI074.00.00	01.KKI074.01.00	✓	2000	379	395	925	925	10	4	20		27,40

PZ: 92 mm Backset: 35 mm (Deluxe Series - Metal Lock Case)



			L	A	B	C	D			Qty.		Kg
01.KKI075.00.00	01.KKI075.01.00	X	1600	278	288	725	725	8	4	20		
01.KKI076.00.00	01.KKI076.01.00	X	1800	284	293	825	825	10	4	20		
01.KKI077.00.00	01.KKI077.01.00	X	2000	379	395	925	925	10	4	20		
01.KKI078.00.00	01.KKI078.01.00	✓	1600	278	288	725	725	8	4	20		
01.KKI079.00.00	01.KKI079.01.00	✓	1800	284	293	825	825	10	4	20		
01.KKI080.00.00	01.KKI080.01.00	✓	2000	379	395	925	925	10	4	20		

PZ: 92 mm Backset: 25 mm (Deluxe Series - Metal Lock Case)

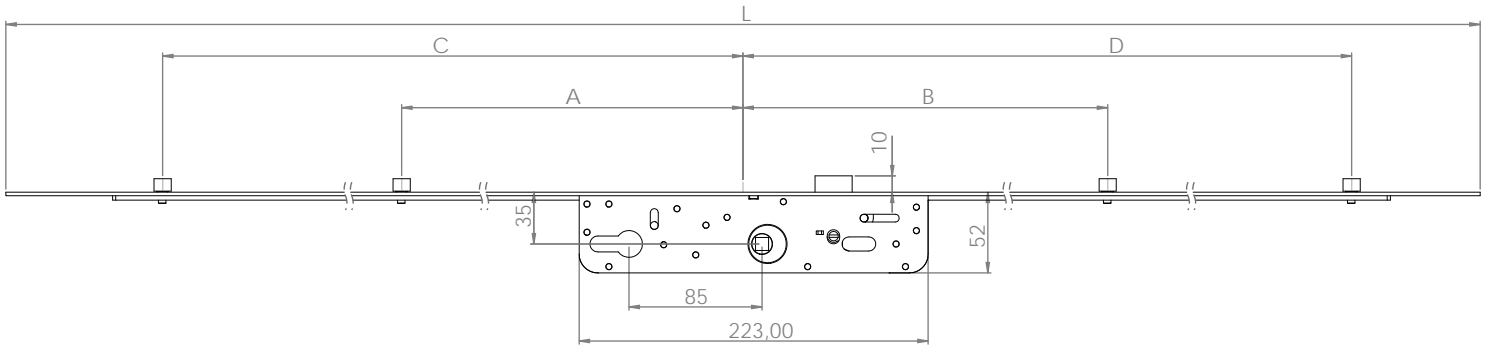


			L	A	B	C	D			Qty.		Kg
01.KKI081.00.00	01.KKI081.01.00	X	1600	278	288	725	725	8	4	20		-
01.KKI082.00.00	01.KKI082.01.00	X	1800	284	293	825	825	10	4	20		-
01.KKI083.00.00	01.KKI083.01.00	X	2000	379	395	925	925	10	4	20		-
01.KKI084.00.00	01.KKI084.01.00	✓	1600	278	288	725	725	8	4	20		-
01.KKI085.00.00	01.KKI085.01.00	✓	1800	284	293	825	825	10	4	20		-
01.KKI086.00.00	01.KKI086.01.00	✓	2000	379	395	925	925	10	4	20		-

Multipoint Locks

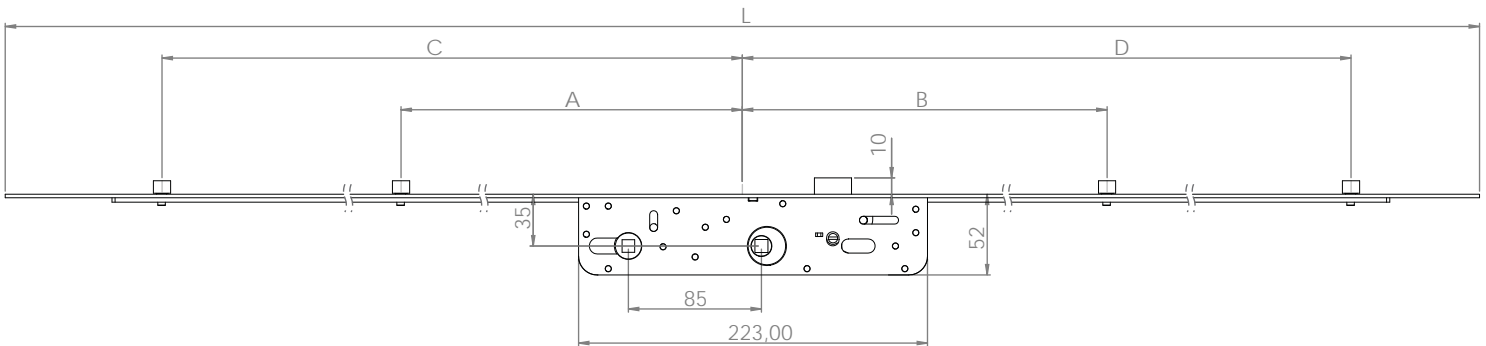
- Handle Operated

- PZ: 85 mm Backset: 35 mm (Akpen Series - Metal Lock Case)



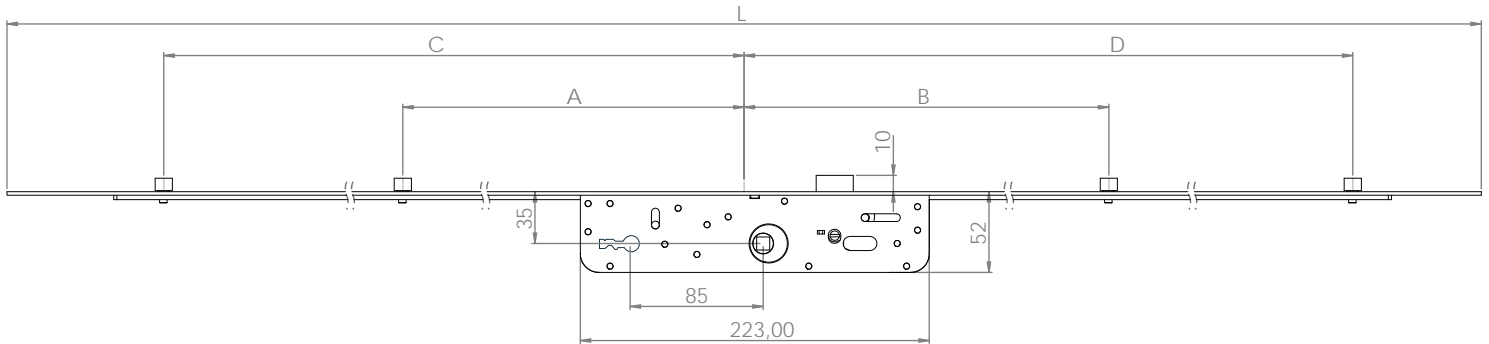
			L	A	B	C	D			Qty.	Kg
01.KKI001.00.00	01.KKI001.01.00	X	1600	278	288	725	725	8	4	20	23,70
01.KKI005.00.00	01.KKI005.01.00	X	1800	284	293	825	825	10	4	20	24,90
01.KKI003.00.00	01.KKI003.01.00	X	2000	379	395	925	925	10	4	20	27,00

- PZ: 85 mm Backset: 35 mm - Balcony (Akpen Series - Metal Lock Case)



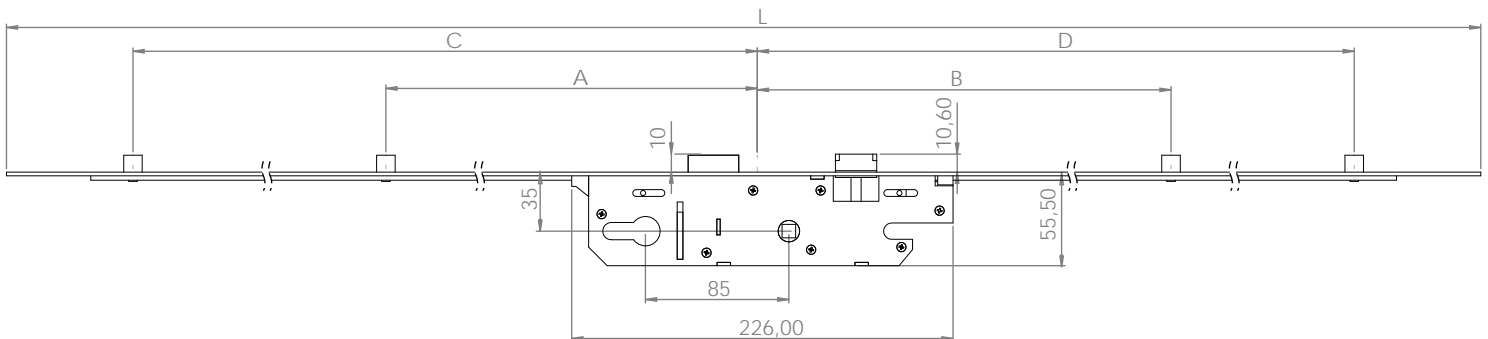
			L	A	B	C	D			Qty.	Kg
01.KKI002.00.00	01.KKI002.01.00	X	1600	278	288	725	725	8	4	20	23,70
01.KKI006.00.00	01.KKI006.01.00	X	1800	284	293	825	825	10	4	20	26,00
01.KKI004.00.00	01.KKI004.01.00	X	2000	379	395	925	925	10	4	20	28,72

PZ: 85 mm Backset: 35 mm Room (Akpen Series - Metal Lock Case)



			L	A	B	C	D			Qty.		Kg
01.KKI031.00.00	01.KKI031.01.00	X	1600	278	288	725	725	8	4	20		25,12
01.KKI032.00.00	01.KKI032.01.00	X	1800	284	293	825	825	10	4	20		26,90
01.KKI033.00.00	01.KKI033.01.00	X	2000	379	395	925	925	10	4	20		28,90

PZ: 85 mm Backset: 35 mm (Plastic Lock Case)

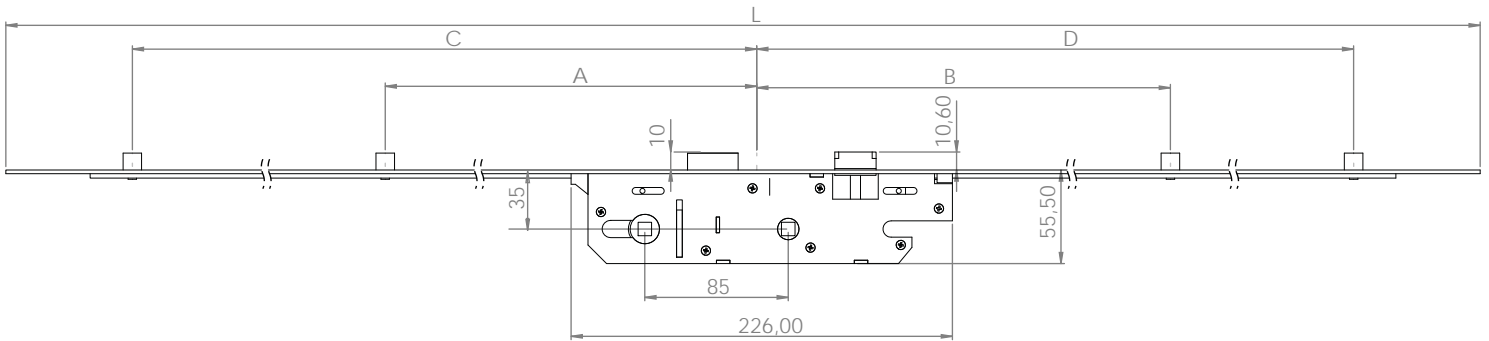


			L	A	B	C	D			Qty.		Kg
01.KKI013.00.00	01.KKI013.01.00	X	1600	278	288	725	725	8	4	20		18,59
01.KKI014.00.00	01.KKI014.01.00	X	1800	284	293	825	825	10	4	20		19,95
01.KKI015.00.00	01.KKI015.01.00	X	2000	379	395	925	925	10	4	20		21,80
01.KKI007.00.00	01.KKI007.01.00	✓	1600	278	288	725	725	8	4	20		21,30
01.KKI008.00.00	01.KKI008.01.00	✓	1800	284	293	825	825	10	4	20		21,27
01.KKI009.00.00	01.KKI009.01.00	✓	2000	379	395	925	925	10	4	20		23,70

Multipoint Locks

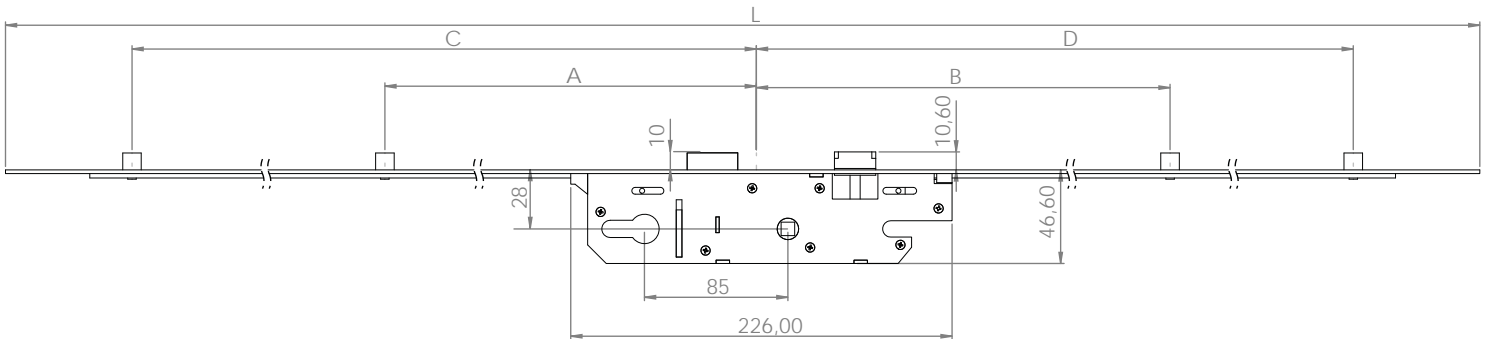
Handle Operated

● PZ: 85 mm Backset: 35 mm - Balcony (Plastic Lock Case)



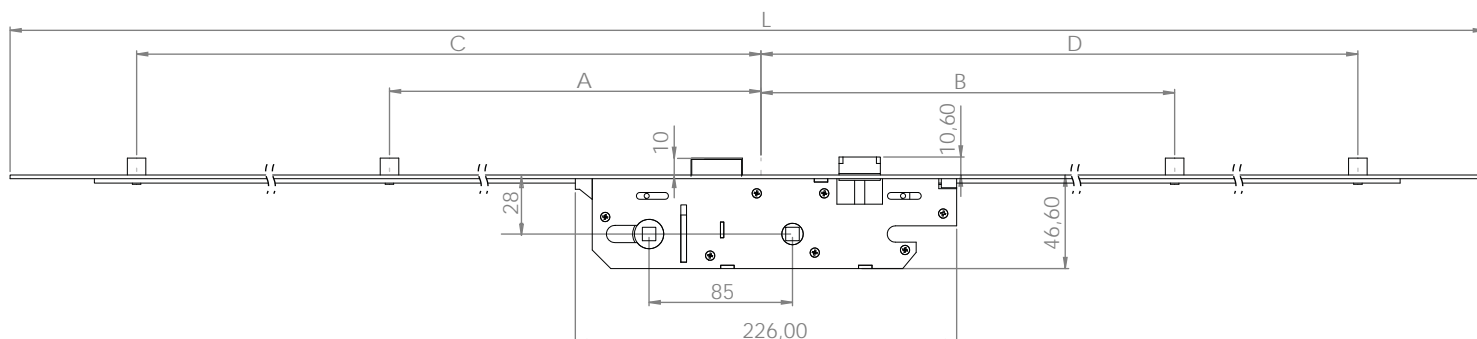
			L	A	B	C	D			Qty.	Kg
01.KKI022.00.00	01.KKI022.01.00	X	1600	278	288	725	725	8	4	20	19,25
01.KKI023.00.00	01.KKI023.01.00	X	1800	284	293	825	825	10	4	20	21,60
01.KKI024.00.00	01.KKI024.01.00	X	2000	379	395	925	925	10	4	20	23,40
01.KKI010.00.00	01.KKI010.01.00	✓	1600	278	288	725	725	8	4	20	21,74
01.KKI011.00.00	01.KKI011.01.00	✓	1800	284	293	825	825	10	4	20	21,80
01.KKI012.00.00	01.KKI012.01.00	✓	2000	379	395	925	925	10	4	20	23,10

● PZ: 85 mm Backset: 28 mm (Plastic Lock Case)



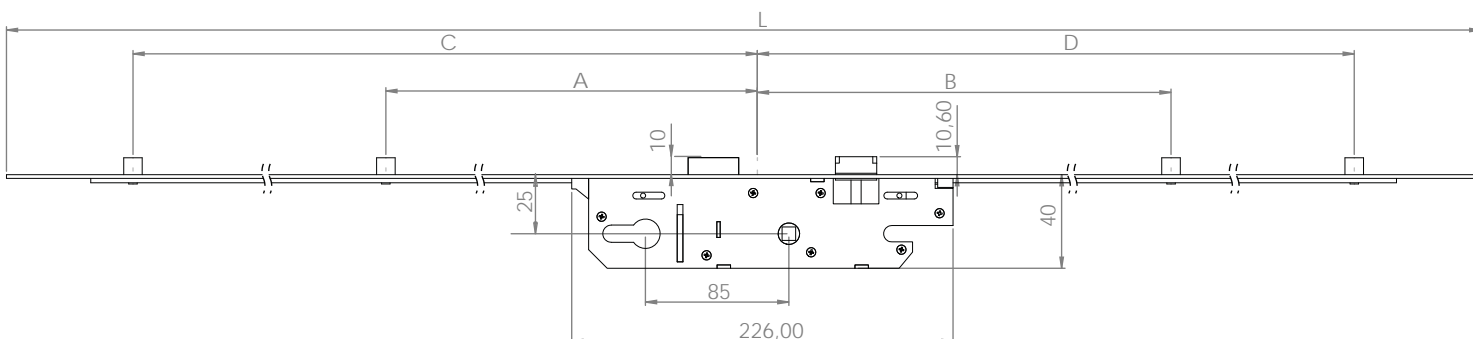
			L	A	B	C	D			Qty.	Kg
01.KKI016.00.00	01.KKI016.01.00	X	1600	278	288	725	725	8	4	20	16,85
01.KKI017.00.00	01.KKI017.01.00	X	1800	284	293	825	825	10	4	20	20,05
01.KKI018.00.00	01.KKI018.01.00	X	2000	379	395	925	925	10	4	20	21,35
01.KKI025.00.00	01.KKI025.01.00	✓	1600	278	288	725	725	8	4	20	20,06
01.KKI026.00.00	01.KKI026.01.00	✓	1800	284	293	825	825	10	4	20	21,74
01.KKI027.00.00	01.KKI027.01.00	✓	2000	379	395	925	925	10	4	20	23,76

PZ: 85 mm Backset: 28 mm - Balcony (Plastic Lock Case)



			L	A	B	C	D			Qty.	Kg
01.KKI019.00.00	01.KKI019.01.00	X	1600	278	288	725	725	8	4	20	18,50
01.KKI020.00.00	01.KKI020.01.00	X	1800	284	293	825	825	10	4	20	20,80
01.KKI021.00.00	01.KKI021.01.00	X	2000	379	395	925	925	10	4	20	21,77
01.KKI028.00.00	01.KKI028.01.00	✓	1600	278	288	725	725	8	4	20	20,50
01.KKI029.00.00	01.KKI029.01.00	✓	1800	284	293	825	825	10	4	20	21,80
01.KKI030.00.00	01.KKI030.01.00	✓	2000	379	395	925	925	10	4	20	24,24

PZ: 85 mm Backset: 25 mm (Plastic Lock Case)

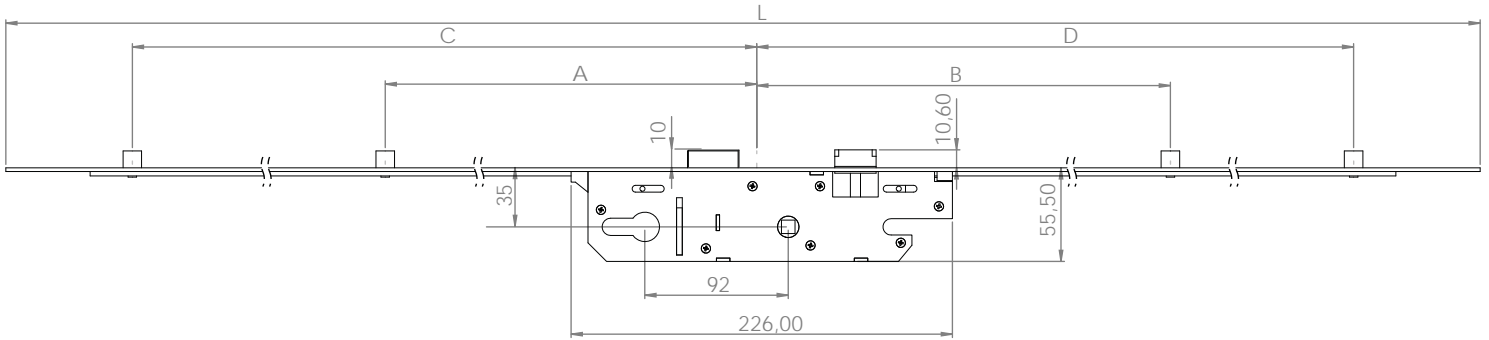


			L	A	B	C	D			Qty.	Kg
01.KKI034.00.00	01.KKI034.01.00	X	1600	278	288	725	725	8	4	20	18,00
01.KKI035.00.00	01.KKI035.01.00	X	1800	284	293	825	825	10	4	20	19,30
01.KKI036.00.00	01.KKI036.01.00	X	2000	379	395	925	925	10	4	20	20,60
01.KKI043.00.00	01.KKI043.01.00	✓	1600	278	288	725	725	8	4	20	18,50
01.KKI044.00.00	01.KKI044.01.00	✓	1800	284	293	825	825	10	4	20	19,95
01.KKI045.00.00	01.KKI045.01.00	✓	2000	379	395	925	925	10	4	20	21,60

Multipoint Locks

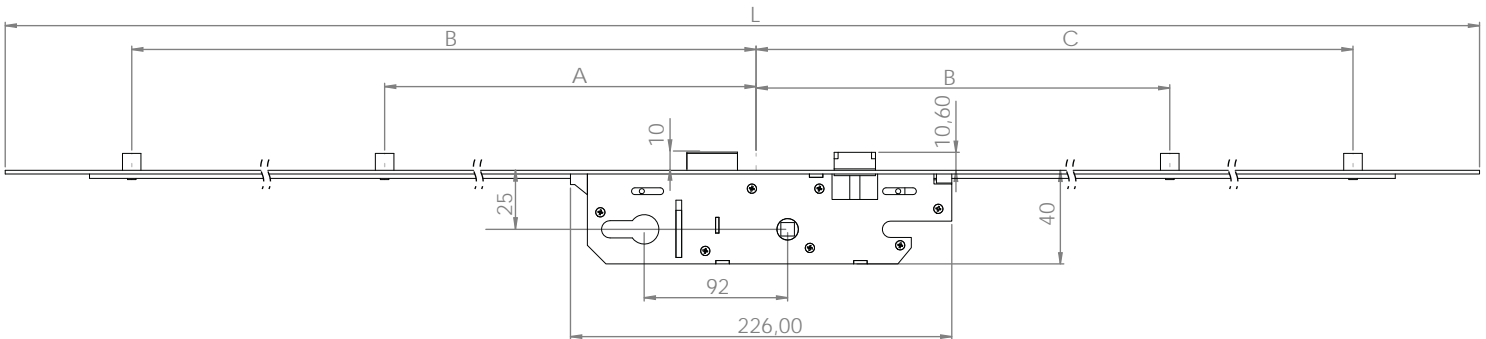
- Handle Operated

- PZ: 92 mm Backset: 35 mm (Plastic Lock Case)



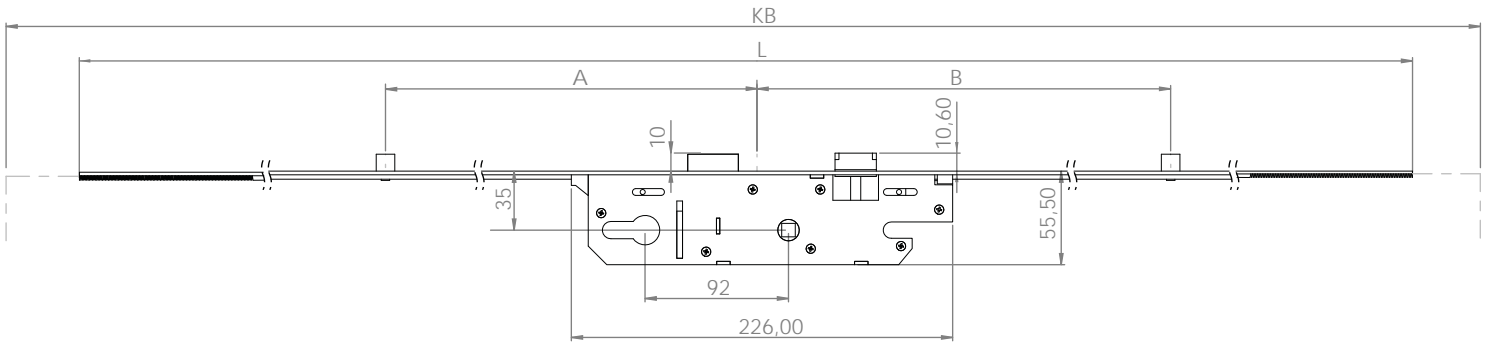
			L	A	B	C	D			Qty.		Kg
01.KKI037.00.00	01.KKI037.01.00	X	1600	295	295	725	725	8	4	20		22,95
01.KKI038.00.00	01.KKI038.01.00	X	1800	275	280	825	825	10	4	20		25,40
01.KKI039.00.00	01.KKI039.01.00	X	2000	378	370	925	925	10	4	20		27,15
01.KKI046.00.00	01.KKI046.01.00	✓	1600	295	295	725	725	8	4	20		23,55
01.KKI047.00.00	01.KKI047.01.00	✓	1800	275	280	825	825	10	4	20		26,15
01.KKI048.00.00	01.KKI048.01.00	✓	2000	378	370	925	925	10	4	20		27,40

- PZ: 92 mm Backset: 25 mm (Plastic Lock Case)



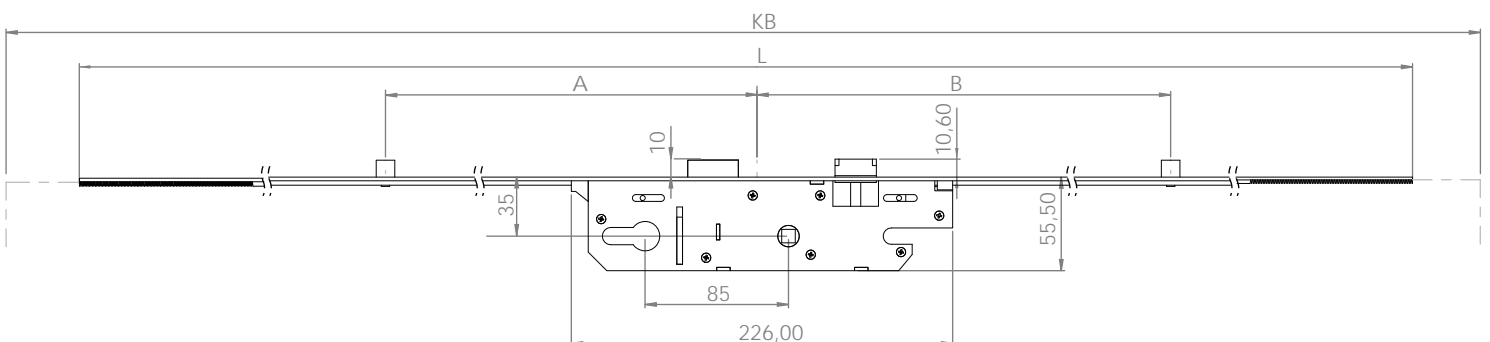
			L	A	B	C	D			Qty.		Kg
01.KKI040.00.00	01.KKI040.01.00	X	1600	295	295	725	725	8	4	20		18,00
01.KKI041.00.00	01.KKI041.01.00	X	1800	275	280	825	825	10	4	20		20,00
01.KKI042.00.00	01.KKI042.01.00	X	2000	378	370	925	925	10	4	20		22,00
01.KKI049.00.00	01.KKI049.01.00	✓	1600	295	295	725	725	8	4	20		18,20
01.KKI050.00.00	01.KKI050.01.00	✓	1800	275	280	825	825	10	4	20		19,87
01.KKI051.00.00	01.KKI051.01.00	✓	2000	378	370	925	925	10	4	20		21,70

PZ: 92 mm Backset: 35 mm Cuttable (Plastic Lock Case) ●



			KB	L	A	B			Qty.		Kg
01.KKI059.00.00	01.KKI059.01.00	X	1700 - 2200	1900	348	340	6	2	20		23,00
01.KKI060.00.00	01.KKI060.01.00	✓	1700 - 2200	1900	348	340	6	2	20		23,50

PZ: 85 mm Backset: 35 mm Cuttable (Plastic Lock Case) ●

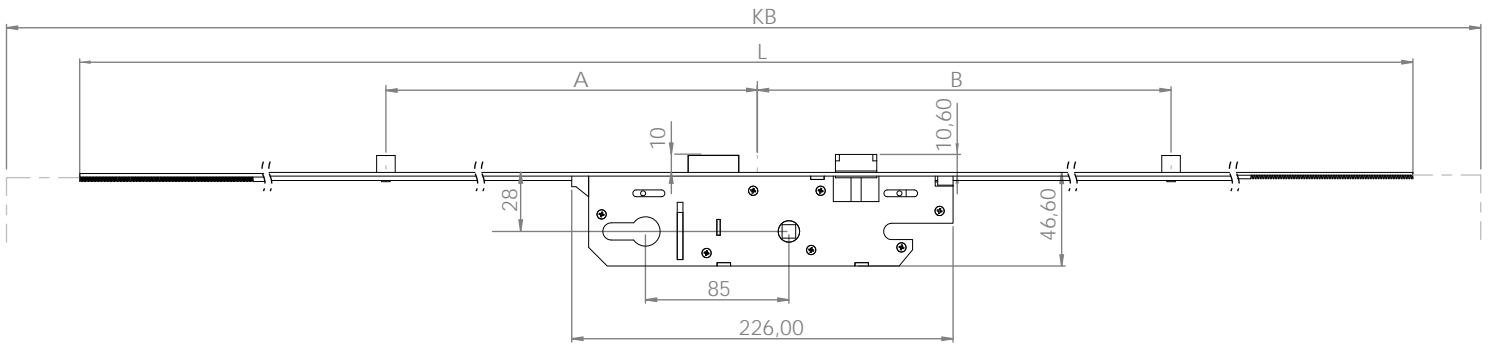


			KB	L	A	B			Qty.		Kg
01.KKI053.00.00	01.KKI053.01.00	X	1700 - 2200	1900	348	340	6	2	20		21,35
01.KKI054.00.00	01.KKI054.01.00	✓	1700 - 2200	1900	348	340	6	2	20		22,70

Multipoint Locks

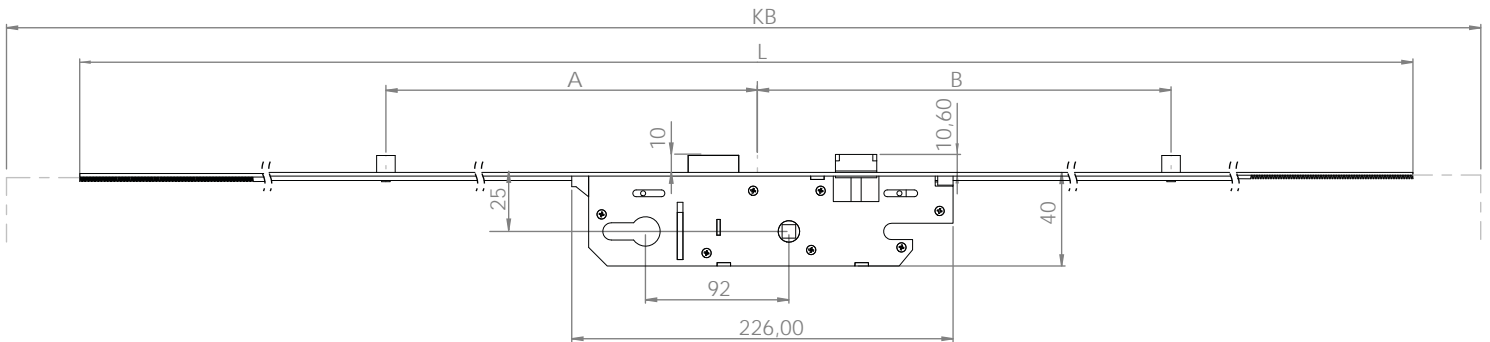
● Handle Operated

● PZ: 85 mm Backset: 28 mm Cuttable (Plastic Lock Case)



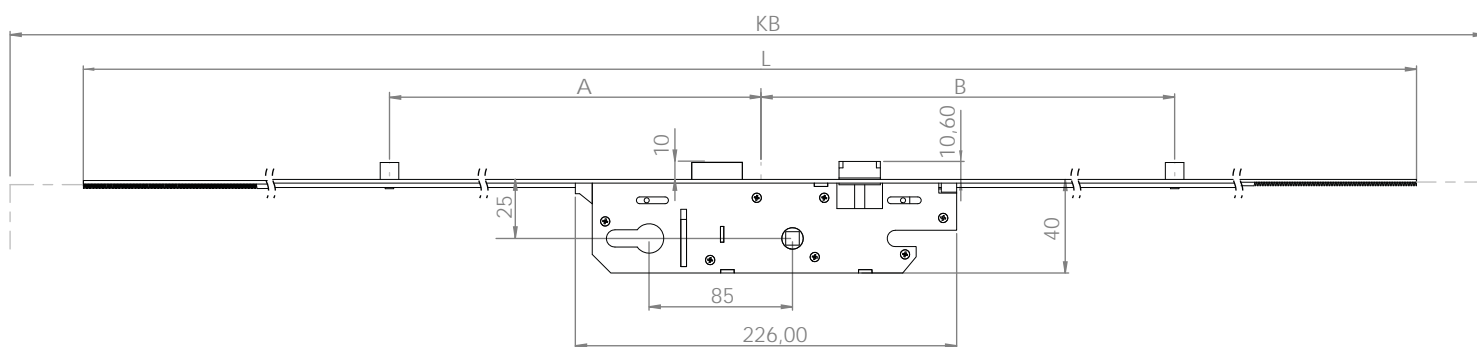
			KB	L	A	B			Qty.		Kg
01.KKI055.00.00	01.KKI055.01.00	X	1700 - 2200	1900	348	340	6	2	20		20,98
01.KKI056.00.00	01.KKI056.01.00	✓	1700 - 2200	1900	348	340	6	2	20		20,98

● PZ: 92 mm Backset: 25 mm Cuttable (Plastic Lock Case)



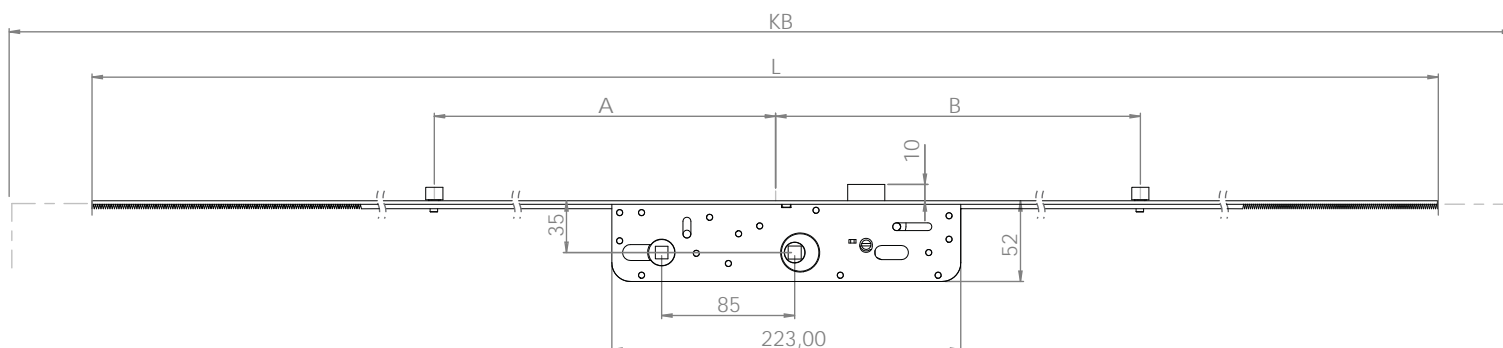
			KB	L	A	B			Qty.		Kg
01.KKI061.00.00	01.KKI061.01.00	X	1700 - 2200	1900	348	340	6	2	20		21,55
01.KKI062.00.00	01.KKI062.01.00	✓	1700 - 2200	1900	348	340	6	2	20		21,55

PZ: 85 mm Backset: 25 mm Cuttable (Plastic Lock Case)



			KB	L	A	B			Qty.		Kg
01.KKI057.00.00	01.KKI057.01.00	X	1700 - 2200	1900	348	340	6	2	20		20,55
01.KKI058.00.00	01.KKI058.01.00	✓	1700 - 2200	1900	348	340	6	2	20		20,55

PZ: 85 mm Backset: 35 mm Cuttable (Metal Lock Case)



			KB	L	A	B			Qty.		Kg
01.KKI052.00.00	01.KKI052.01.00	X	1700 - 22000	1900	348	340	6	2	20		26,45

Turn - Only Sytems

- Espagnolettes

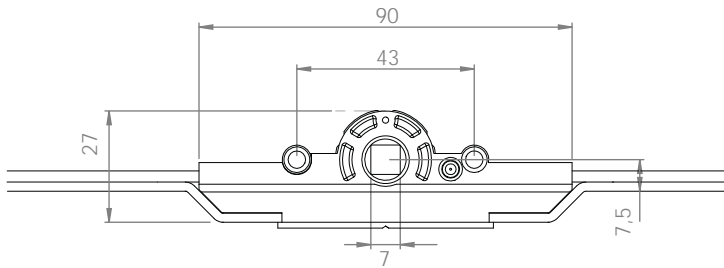




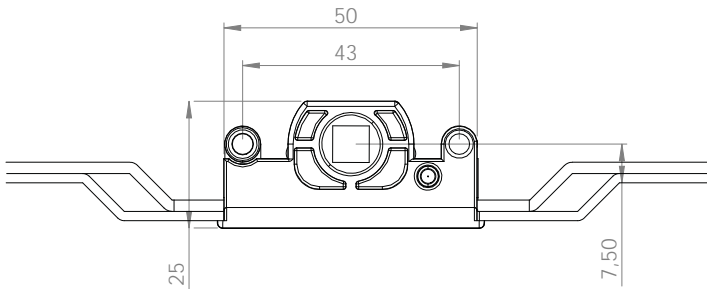
Turn - Only Systems

● Lock Case Types Espagnolettes

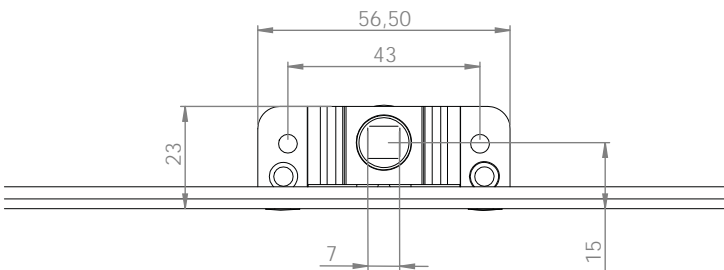
● 7,5 mm Backset Espagnolette



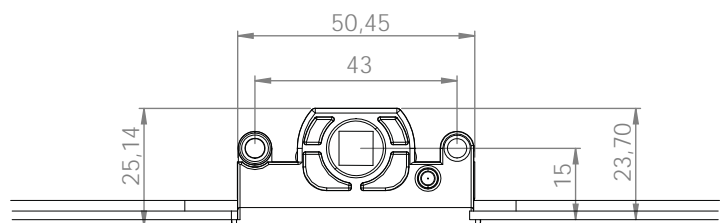
● 7,5 mm Backset Espagnolette(ECO)



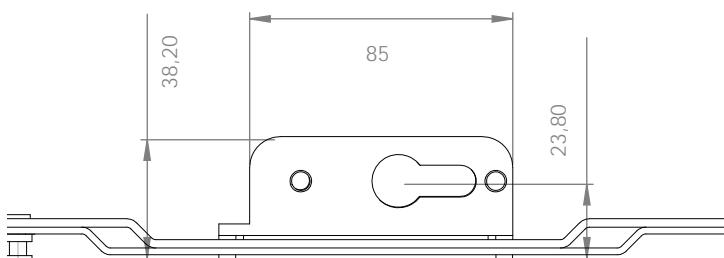
● 15 mm Backset Espagnolette



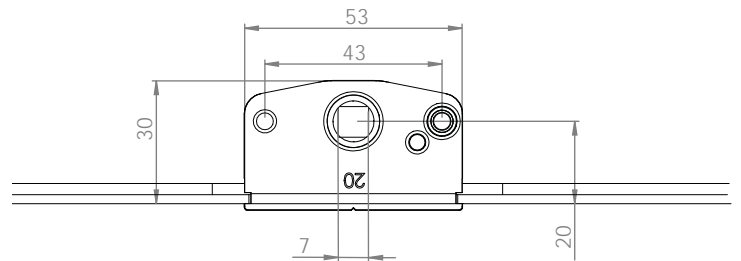
● 15 mm Backset Espagnolette



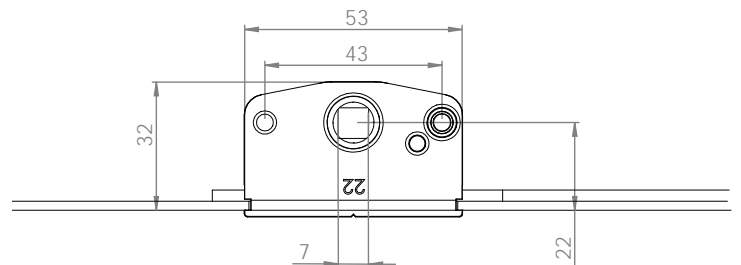
● Lockable Espagnolette



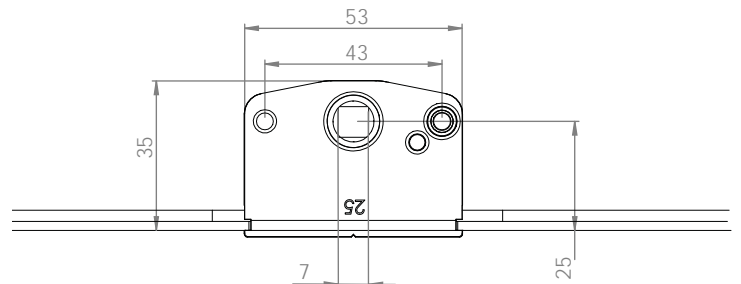
● 20 mm Backset Espagnolette



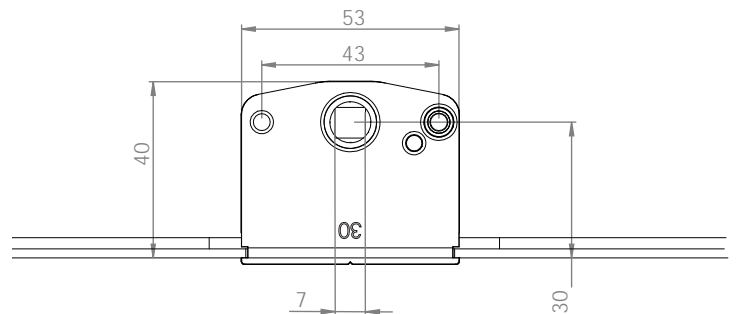
● 22 mm Backset Espagnolette



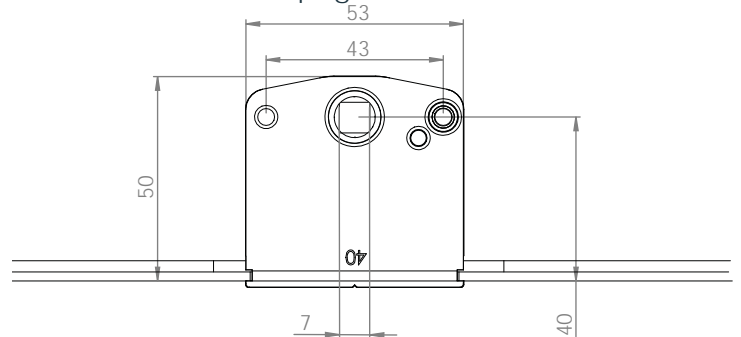
● 25 mm Backset Espagnolette



● 30 mm Backset Espagnolette

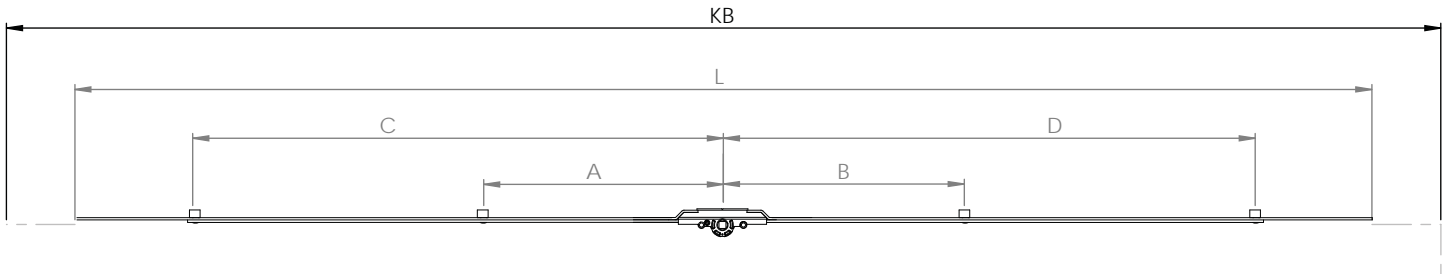


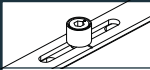
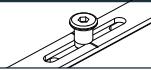



● 40 mm Backset Espagnolette



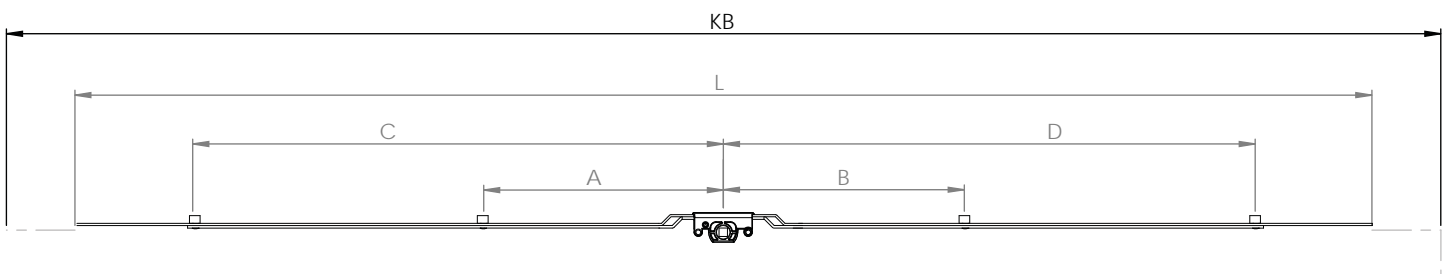
7,5 mm Backset Steel Lock Case Espagnolettes ●

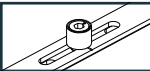
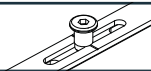

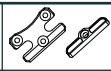

7,5 mm Backset Espagnolettes ●



		KB	L	A	B	C	D			Qty.		Kg
01.TAI100.02.00	01.TAI101.02.00	400 - 600	400	143	143	-	-	4	2	20	-	
01.TAI100.03.00	01.TAI101.03.00	600 - 800	600	179	179	-	-	6	2	20	-	
01.TAI100.04.00	01.TAI101.04.00	800 - 1000	800	279	279	-	-	6	2	20	-	
01.TAI100.05.00	01.TAI101.05.00	1000 - 1200	1000	98	-	379	379	9	3	20	-	
01.TAI100.06.00	01.TAI101.06.00	1200 - 1400	1200	98	-	479	479	9	3	20	-	
01.TAI100.08.00	01.TAI101.08.00	1400 - 1600	1400	98	-	579	579	9	3	20	-	
01.TAI100.09.00	01.TAI101.09.00	1600 - 1800	1600	248	248	679	679	11	4	20	-	
01.TAI100.09.00	01.TAI101.09.00	1800 - 2000	1800	281	281	779	779	11	4	20	-	
01.TAI100.10.00	01.TAI101.10.00	2000 - 2200	2000	316	316	879	879	14	4	20	-	

7,5 mm Backset Espagnolettes (ECO) ●

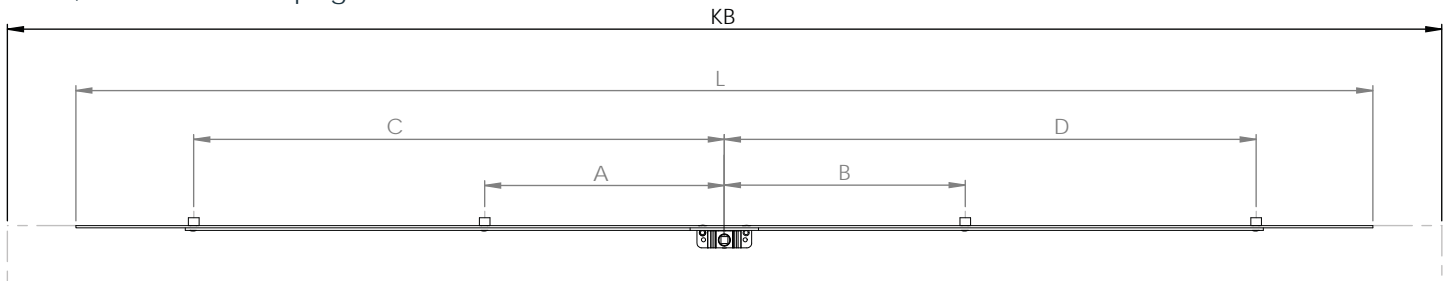


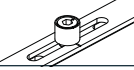
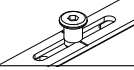

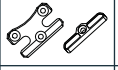

		KB	L	A	B	C	D			Qty.		Kg
01.TAI102.02.00	01.TAI103.02.00	400 - 600	400	143	143	-	-	4	2	20	-	
01.TAI102.03.00	01.TAI103.03.00	600 - 800	600	179	179	-	-	6	2	20	-	
01.TAI102.04.00	01.TAI103.04.00	800 - 1000	800	279	279	-	-	6	2	20	-	
01.TAI102.05.00	01.TAI103.05.00	1000 - 1200	1000	98	-	379	379	9	3	20	-	
01.TAI102.06.00	01.TAI103.06.00	1200 - 1400	1200	98	-	479	479	9	3	20	-	
01.TAI102.08.00	01.TAI103.08.00	1400 - 1600	1400	98	-	579	579	9	3	20	-	
01.TAI102.09.00	01.TAI103.09.00	1600 - 1800	1600	248	248	679	679	11	4	20	-	
01.TAI102.09.00	01.TAI103.09.00	1800 - 2000	1800	281	281	779	779	11	4	20	-	
01.TAI102.10.00	01.TAI103.10.00	2000 - 2200	2000	316	316	879	879	14	4	20	-	

Turn - Only Systems

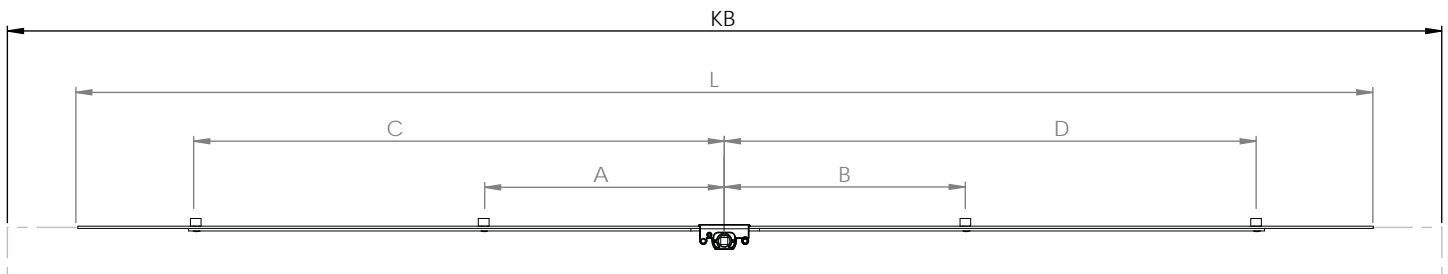
● Espagnolettes

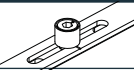
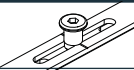

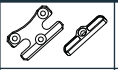

● 7,5 mm Backset Espagnolettes



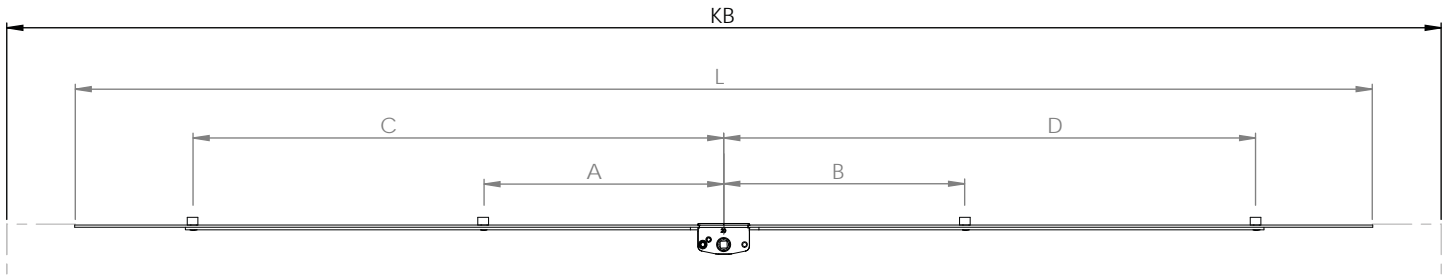
		KB	L	A	B	C	D			Qty. 	Kg
01.TAI210.01.00	01.TAI211.01.00	300 - 400	300	93	93	-	-	4	2	20	2,88
01.TAI210.02.00	01.TAI211.02.00	400 - 600	400	143	143	-	-	4	2	20	3,78
01.TAI210.03.00	01.TAI211.03.00	600 - 800	600	179	179	-	-	6	2	20	5,40
01.TAI210.04.00	01.TAI211.04.00	800 - 1000	800	279	279	-	-	6	2	20	6,05
01.TAI210.05.00	01.TAI211.05.00	1000 - 1200	1000	98	-	379	379	9	3	20	8,75
01.TAI210.06.00	01.TAI211.06.00	1200 - 1400	1200	98	-	479	479	9	3	20	10,52
01.TAI210.07.00	01.TAI211.07.00	1400 - 1600	1400	98	-	579	579	9	3	20	12,35
01.TAI210.08.00	01.TAI211.08.00	1600 - 1800	1600	248	248	679	679	11	4	20	14,15
01.TAI210.09.00	01.TAI211.09.00	1800 - 2000	1800	281	281	779	779	11	4	20	15,85
01.TAI210.10.00	01.TAI211.10.00	2000 - 2200	2000	316	316	879	879	14	4	20	17,90

● 15 mm Backset Espagnolettes



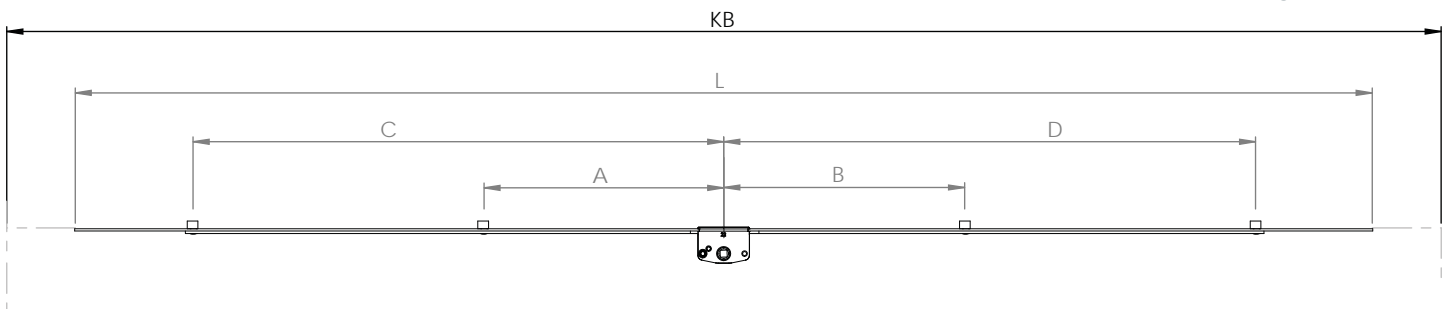
		KB	L	A	B	C	D			Qty. 	Kg
01.TAI200.01.00	01.TAI201.01.00	300 - 400	300	93	93	-	-	4	2	20	3,08
01.TAI200.02.00	01.TAI201.02.00	400 - 600	400	143	143	-	-	4	2	20	4,05
01.TAI200.03.00	01.TAI201.03.00	600 - 800	600	179	179	-	-	6	2	20	5,70
01.TAI200.04.00	01.TAI201.04.00	800 - 1000	800	279	279	-	-	6	2	20	7,52
01.TAI200.05.00	01.TAI201.05.00	1000 - 1200	1000	98	-	379	379	9	3	20	8,60
01.TAI200.06.00	01.TAI201.06.00	1200 - 1400	1200	98	-	479	479	9	3	20	10,56
01.TAI200.07.00	01.TAI201.07.00	1400 - 1600	1400	98	-	579	579	9	3	20	12,75
01.TAI200.08.00	01.TAI201.08.00	1600 - 1800	1600	248	248	679	679	11	4	20	14,40
01.TAI200.09.00	01.TAI201.09.00	1800 - 2000	1800	281	281	779	779	11	4	20	16,10
01.TAI200.10.00	01.TAI201.10.00	2000 - 2200	2000	316	316	879	879	14	4	20	18,32

20 mm Backset Espagnolettes ●



		KB	L	A	B	C	D			Qty.	Kg
01.TAI300.01.00	01.TAI301.01.00	300 - 400	300	93	93	-	-	4	2	20	-
01.TAI300.02.00	01.TAI301.02.00	400 - 600	400	143	143	-	-	4	2	20	-
01.TAI300.03.00	01.TAI301.03.00	600 - 800	600	179	179	-	-	6	2	20	-
01.TAI300.04.00	01.TAI301.04.00	800 - 1000	800	279	279	-	-	6	2	20	-
01.TAI300.05.00	01.TAI301.05.00	1000 - 1200	1000	98	-	379	379	9	3	20	-
01.TAI300.06.00	01.TAI301.06.00	1200 - 1400	1200	98	-	479	479	9	3	20	-
01.TAI300.07.00	01.TAI301.07.00	1400 - 1600	1400	98	-	579	579	9	3	20	-
01.TAI300.08.00	01.TAI301.08.00	1600 - 1800	1600	248	248	679	679	11	4	20	-
01.TAI300.09.00	01.TAI301.09.00	1800 - 2000	1800	281	281	779	779	11	4	20	-
01.TAI300.10.00	01.TAI301.10.00	2000 - 2200	2000	316	316	879	879	14	4	20	-

22 mm Backset Espagnolettes ●

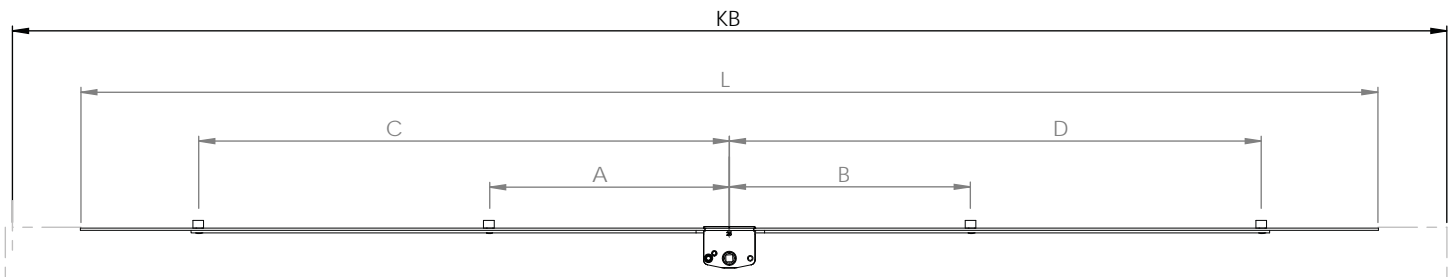


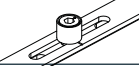
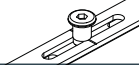

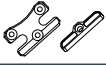

		KB	L	A	B	C	D			Qty.	Kg
01.TAI400.01.00	01.TAI401.01.00	300 - 400	300	93	93	-	-	4	2	20	1,77
01.TAI400.02.00	01.TAI401.02.00	400 - 600	400	143	143	-	-	4	2	20	2,23
01.TAI400.03.00	01.TAI401.03.00	600 - 800	600	179	179	-	-	6	2	20	2,90
01.TAI400.04.00	01.TAI401.04.00	800 - 1000	800	279	279	-	-	6	2	20	3,85
01.TAI400.05.00	01.TAI401.05.00	1000 - 1200	1000	98	-	379	379	9	3	20	4,67
01.TAI400.06.00	01.TAI401.06.00	1200 - 1400	1200	98	-	479	479	9	3	20	5,42
01.TAI400.07.00	01.TAI401.07.00	1400 - 1600	1400	98	-	579	579	9	3	20	16,72
01.TAI400.08.00	01.TAI401.08.00	1600 - 1800	1600	248	248	679	679	11	4	20	18,75
01.TAI400.09.00	01.TAI401.09.00	1800 - 2000	1800	281	281	779	779	11	4	20	21,00
01.TAI400.10.00	01.TAI401.10.00	2000 - 2200	2000	316	316	879	879	14	4	20	23,00

Turn - Only Systems

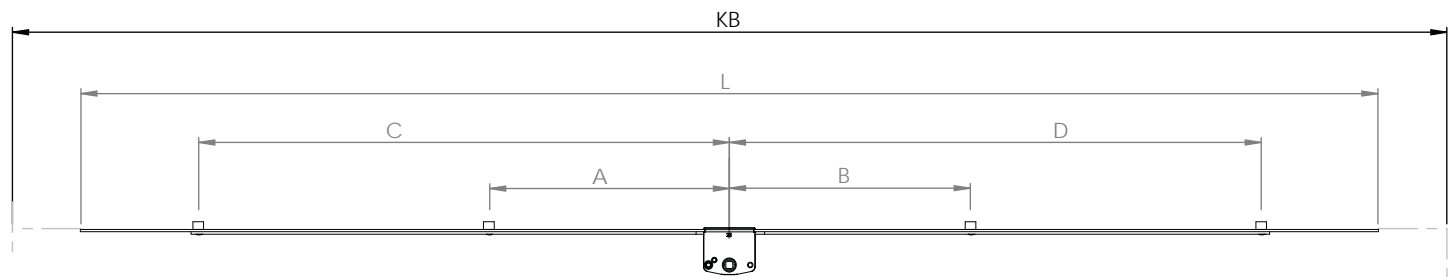
● Espagnolettes

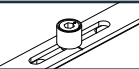
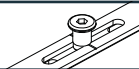



● 25 mm Backset Espagnolettes



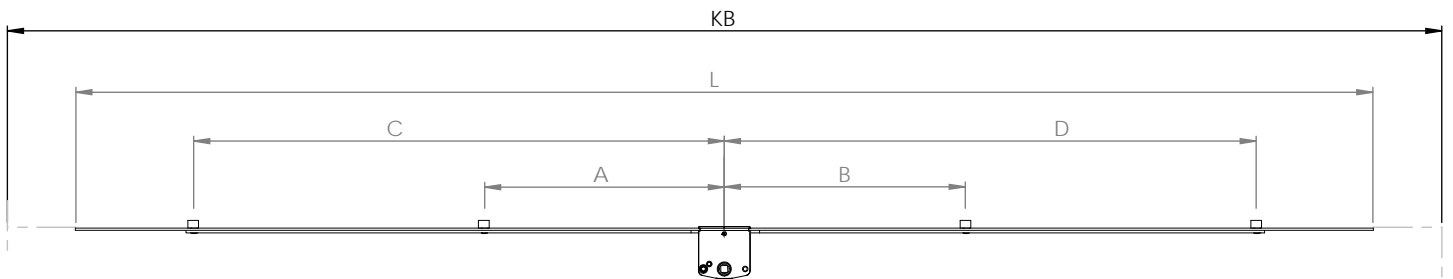
		KB	L	A	B	C	D			Qty. 	Kg
01.TAI500.01.00	01.TAI501.01.00	300 - 400	300	93	93	-	-	4	2	20	1,85
01.TAI500.02.00	01.TAI501.02.00	400 - 600	400	143	143	-	-	4	2	20	2,25
01.TAI500.03.00	01.TAI501.03.00	600 - 800	600	179	179	-	-	6	2	20	3,15
01.TAI500.04.00	01.TAI501.04.00	800 - 1000	800	279	279	-	-	6	2	20	3,98
01.TAI500.05.00	01.TAI501.05.00	1000 - 1200	1000	98	-	379	379	9	3	20	4,85
01.TAI500.06.00	01.TAI501.06.00	1200 - 1400	1200	98	-	479	479	9	3	20	5,60
01.TAI500.07.00	01.TAI501.07.00	1400 - 1600	1400	98	-	579	579	9	3	20	17,05
01.TAI500.08.00	01.TAI501.08.00	1600 - 1800	1600	248	248	679	679	11	4	20	19,05
01.TAI500.09.00	01.TAI501.09.00	1800 - 2000	1800	281	281	779	779	11	4	20	21,80
01.TAI500.10.00	01.TAI501.10.00	2000 - 2200	2000	316	316	879	879	14	4	20	23,85

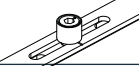
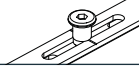

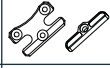

● 30 mm Backset Espagnolettes



		KB	L	A	B	C	D			Qty. 	Kg
01.TAI700.01.00	01.TAI701.01.00	300 - 400	300	93	93	-	-	4	2	20	-
01.TAI700.02.00	01.TAI701.02.00	400 - 600	400	143	143	-	-	4	2	20	-
01.TAI700.03.00	01.TAI701.03.00	600 - 800	600	179	179	-	-	6	2	20	-
01.TAI700.04.00	01.TAI701.04.00	800 - 1000	800	279	279	-	-	6	2	20	-
01.TAI700.05.00	01.TAI701.05.00	1000 - 1200	1000	98	-	379	379	9	3	20	-
01.TAI700.06.00	01.TAI701.06.00	1200 - 1400	1200	98	-	479	479	9	3	20	-
01.TAI700.07.00	01.TAI701.07.00	1400 - 1600	1400	98	-	579	579	9	3	20	-
01.TAI700.08.00	01.TAI701.08.00	1600 - 1800	1600	248	248	679	679	11	4	20	-
01.TAI700.09.00	01.TAI701.09.00	1800 - 2000	1800	281	281	779	779	11	4	20	-
01.TAI700.10.00	01.TAI701.10.00	2000 - 2200	2000	316	316	879	879	14	4	20	-

40 mm Backset Espagnolettes ●

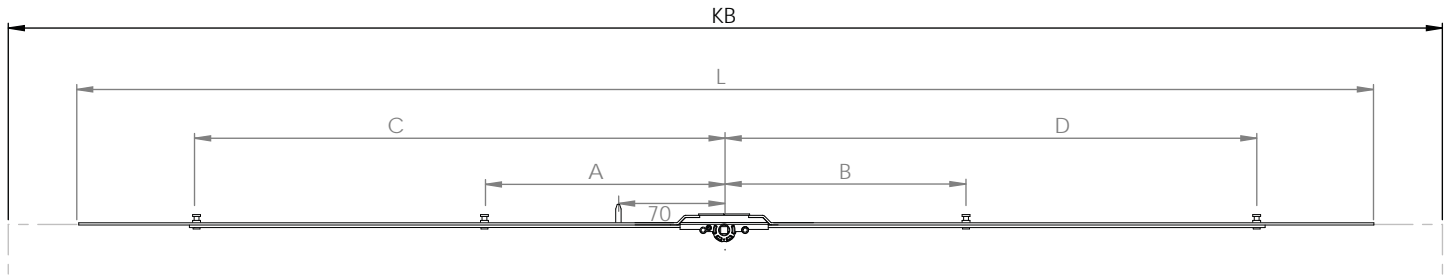


		KB	L	A	B	C	D			Qty. 	Kg
01.TAI600.01.00	01.TAI601.01.00	300 - 400	300	93	93	-	-	4	2	20	1,85
01.TAI600.02.00	01.TAI601.02.00	400 - 600	400	143	143	-	-	4	2	20	2,25
01.TAI600.03.00	01.TAI601.03.00	600 - 800	600	179	179	-	-	6	2	20	3,15
01.TAI600.04.00	01.TAI601.04.00	800 - 1000	800	279	279	-	-	6	2	20	3,98
01.TAI600.05.00	01.TAI601.05.00	1000 - 1200	1000	98	-	379	379	9	3	20	4,85
01.TAI600.06.00	01.TAI601.06.00	1200 - 1400	1200	98	-	479	479	9	3	20	5,60
01.TAI600.07.00	01.TAI601.07.00	1400 - 1600	1400	98	-	579	579	9	3	20	17,05
01.TAI600.08.00	01.TAI601.08.00	1600 - 1800	1600	248	248	679	679	11	4	20	19,05
01.TAI600.09.00	01.TAI601.09.00	1800 - 2000	1800	281	281	779	779	11	4	20	21,80
01.TAI600.10.00	01.TAI601.10.00	2000 - 2200	2000	316	316	879	879	14	4	20	23,85

Turn - Only Systems

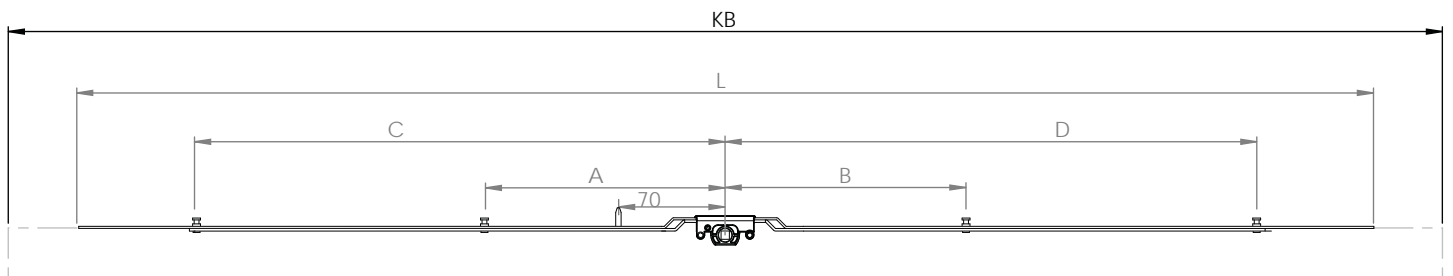
● Espagnolettes

● 7,5 mm Backset Sliding Espagnolettes



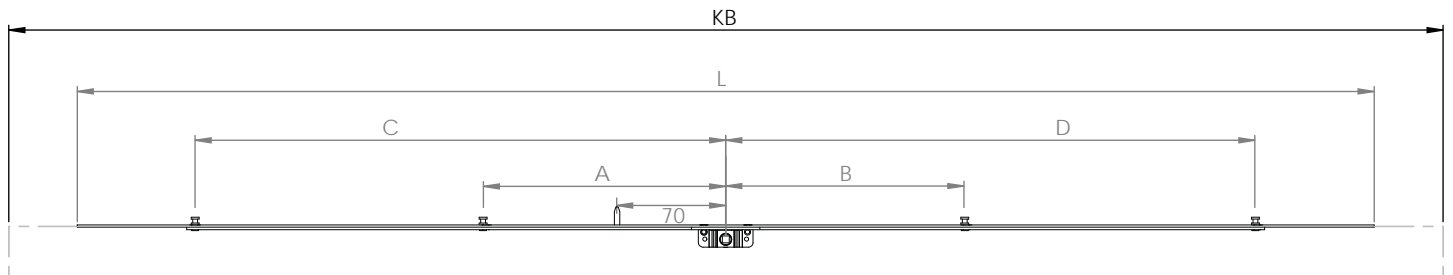
		KB	L	A	B	C	D			Qty.	Kg
01.BSI205.01.00	01.BSI206.01.00	300 - 400	300	93	93	-	-	4	2	20	-
01.BSI205.02.00	01.BSI206.02.00	400 - 600	400	143	143	-	-	4	2	20	-
01.BSI205.03.00	01.BSI206.03.00	600 - 800	600	179	179	-	-	6	2	20	-
01.BSI205.04.00	01.BSI206.04.00	800 - 1000	800	279	279	-	-	6	2	20	-
01.BSI205.05.00	01.BSI206.05.00	1000 - 1200	1000	98	-	379	379	9	3	20	-
01.BSI205.06.00	01.BSI206.06.00	1200 - 1400	1200	98	-	479	479	9	3	20	-
01.BSI205.07.00	01.BSI206.07.00	1400 - 1600	1400	98	-	579	579	9	3	20	-
01.BSI205.08.00	01.BSI206.08.00	1600 - 1800	1600	248	248	679	679	11	4	20	-
01.BSI205.09.00	01.BSI206.09.00	1800 - 2000	1800	281	281	779	779	11	4	20	-
01.BSI205.10.00	01.BSI206.10.00	2000 - 2200	2000	316	316	879	879	14	4	20	-

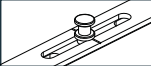
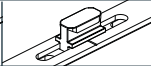



● 7,5 mm Backset Sliding Espagnolettes (ECO)



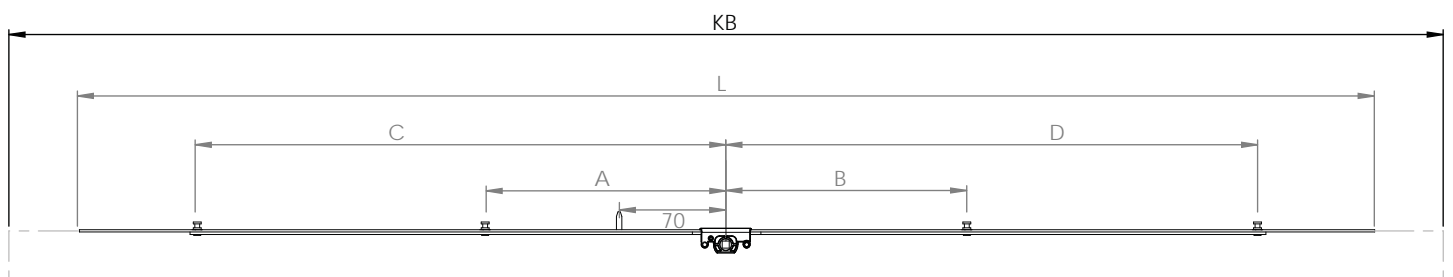
		KB	L	A	B	C	D			Qty.	Kg
01.BSI203.02.00	01.BSI204.02.00	400 - 600	400	143	143	-	-	4	2	20	-
01.BSI203.03.00	01.BSI204.03.00	600 - 800	600	179	179	-	-	6	2	20	-
01.BSI203.04.00	01.BSI204.04.00	800 - 1000	800	279	279	-	-	6	2	20	-
01.BSI203.05.00	01.BSI204.05.00	1000 - 1200	1000	98	-	379	379	9	3	20	-
01.BSI203.06.00	01.BSI204.06.00	1200 - 1400	1200	98	-	479	479	9	3	20	-
01.BSI203.08.00	01.BSI204.08.00	1400 - 1600	1400	98	-	579	579	9	3	20	-
01.BSI203.09.00	01.BSI204.09.00	1600 - 1800	1600	248	248	679	679	11	4	20	-
01.BSI203.09.00	01.BSI204.09.00	1800 - 2000	1800	281	281	779	779	11	4	20	-
01.BSI203.10.00	01.BSI204.10.00	2000 - 2200	2000	316	316	879	879	14	4	20	-

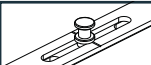
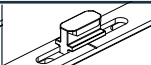

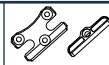

15 mm Backset Steel Lock Sliding Espagnolettes ●



		KB	L	A	B	C	D			Qty. 	Kg
01.BSI212.01.00	01.BSI213.01.00	300 - 400	300	93	93	-	-	4	2	20	2,88
01.BSI212.02.00	01.BSI213.02.00	400 - 600	400	143	143	-	-	4	2	20	3,78
01.BSI212.03.00	01.BSI213.03.00	600 - 800	600	179	179	-	-	6	2	20	5,40
01.BSI212.04.00	01.BSI213.04.00	800 - 1000	800	279	279	-	-	6	2	20	7,20
01.BSI212.05.00	01.BSI213.05.00	1000 - 1200	1000	98	-	379	379	9	3	20	8,75
01.BSI212.06.00	01.BSI213.06.00	1200 - 1400	1200	98	-	479	479	9	3	20	10,52
01.BSI212.07.00	01.BSI213.07.00	1400 - 1600	1400	98	-	579	579	9	3	20	12,35
01.BSI212.08.00	01.BSI213.08.00	1600 - 1800	1600	248	248	679	679	11	4	20	14,15
01.BSI212.09.00	01.BSI213.09.00	1800 - 2000	1800	281	281	779	779	11	4	20	15,85
01.BSI212.10.00	01.BSI213.10.00	2000 - 2200	2000	316	316	879	879	14	4	20	17,90

15 mm Backset Zinc Lock Sliding Espagnolettes ●

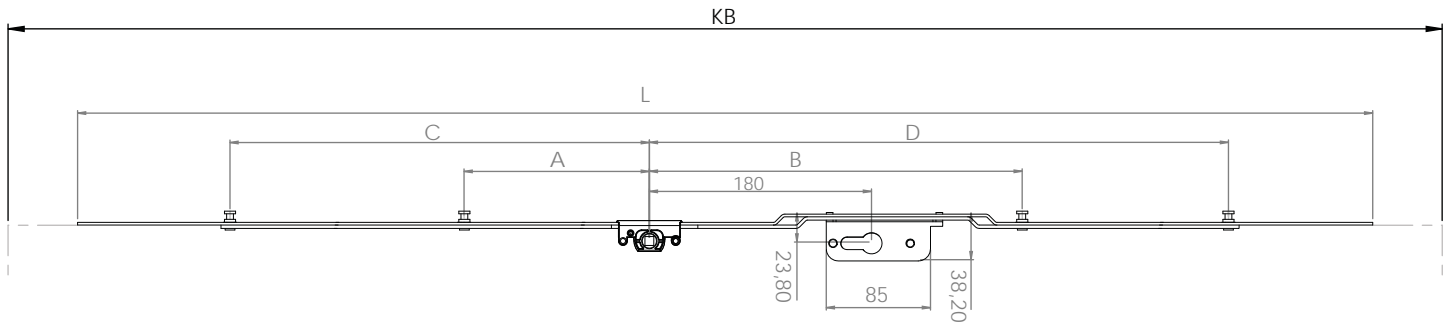


		KB	L	A	B	C	D			Qty. 	Kg
01.BSI202.01.00	01.BSI203.01.00	300 - 400	300	93	93	-	-	4	2	20	3,08
01.BSI202.02.00	01.BSI203.02.00	400 - 600	400	143	143	-	-	4	2	20	4,05
01.BSI202.03.00	01.BSI203.03.00	600 - 800	600	179	179	-	-	6	2	20	5,70
01.BSI202.04.00	01.BSI203.04.00	800 - 1000	800	279	279	-	-	6	2	20	7,52
01.BSI202.05.00	01.BSI203.05.00	1000 - 1200	1000	98	-	379	379	9	3	20	8,60
01.BSI202.06.00	01.BSI203.06.00	1200 - 1400	1200	98	-	479	479	9	3	20	10,56
01.BSI202.07.00	01.BSI203.07.00	1400 - 1600	1400	98	-	579	579	9	3	20	12,75
01.BSI202.08.00	01.BSI203.08.00	1600 - 1800	1600	248	248	679	679	11	4	20	14,40
01.BSI202.09.00	01.BSI203.09.00	1800 - 2000	1800	281	281	779	779	11	4	20	16,10
01.BSI202.10.00	01.BSI203.10.00	2000 - 2200	2000	316	316	879	879	14	4	20	18,3

Turn - Only Systems

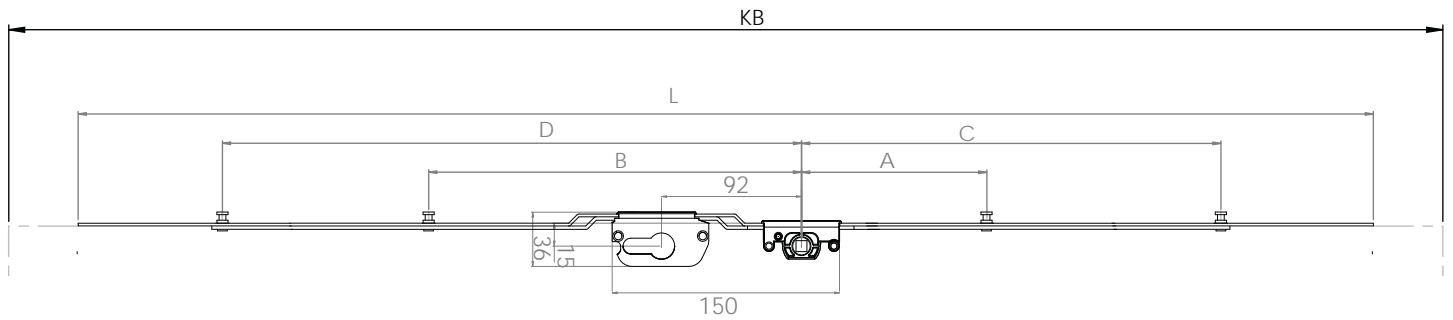
● Espagnolettes

● 15 mm Backset Zinc Lock Sliding Espagnolettes



		KB	L	A	B	C	D			Qty.	Kg
01.BSI222.08.00	01.BSI223.08.00	1600 - 1800	1600	248	341	679	679	11	4	20	-
01.BSI222.09.00	01.BSI223.09.00	1800 - 2000	1800	281	341	779	779	11	4	20	-
01.BSI222.10.00	01.BSI223.10.00	2000 - 2200	2000	316	341	879	879	14	4	20	-

● 7,5 mm Backset Zinc Lock Sliding Espagnolettes



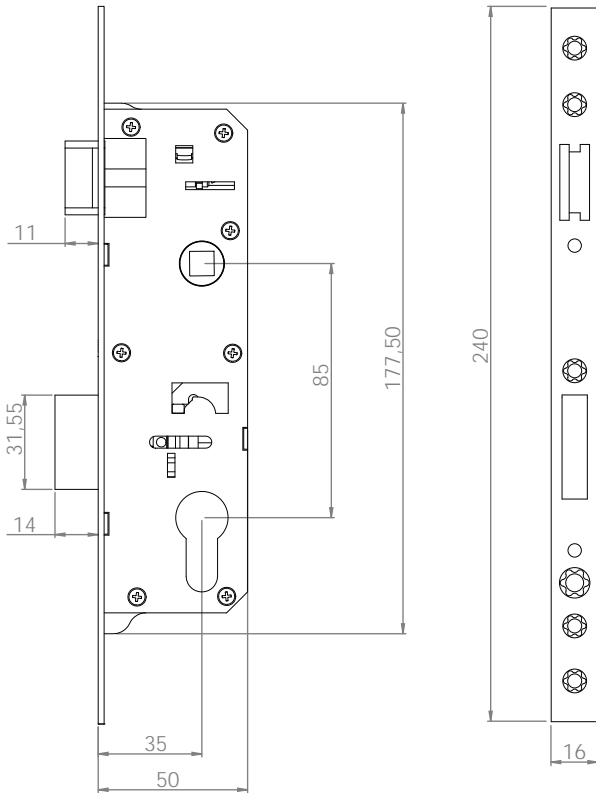
		KB	L	A	B	C	D			Qty.	Kg
01.BSI224.08.00	01.BSI225.08.00	1600 - 1800	1600	248	341	679	679	11	4	20	-
01.BSI224.09.00	01.BSI225.09.00	1800 - 2000	1800	281	341	779	779	11	4	20	-
01.BSI224.10.00	01.BSI225.10.00	2000 - 2200	2000	316	341	879	879	14	4	20	-





Mortice Locks

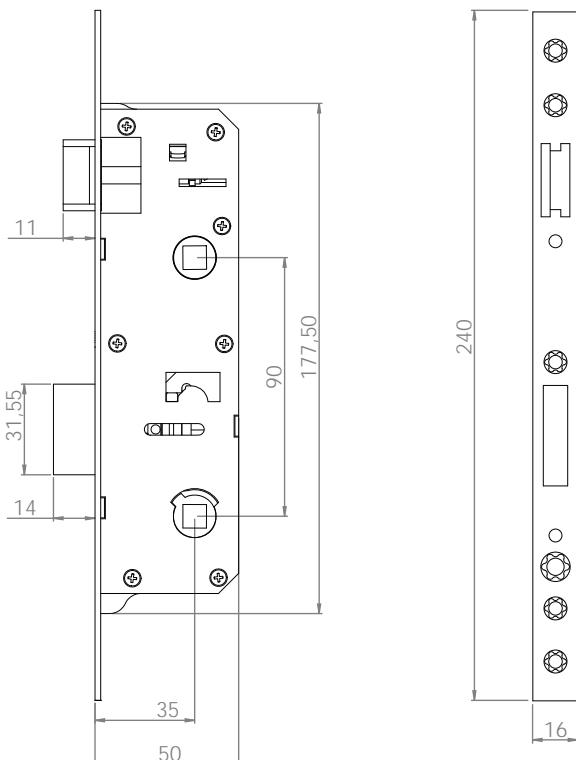
- Plastic Lock Case - Metal Cover Locks



- PZ: 85 mm Backset: 35 mm (Cylindrical)



	Qty. 	Kg
01.KIL001.00.00	40	11,05



- PZ: 90 mm Backset: 35 mm (WC / Bathroom)

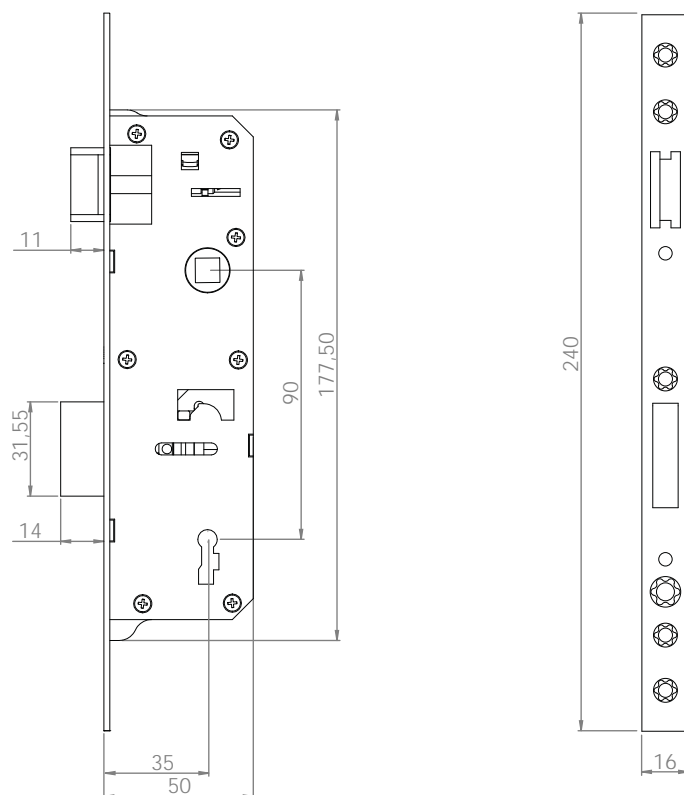


	Qty. 	Kg
01.KIL002.00.00	40	11,70



Plastic Lock Case - Metal Cover Locks ●

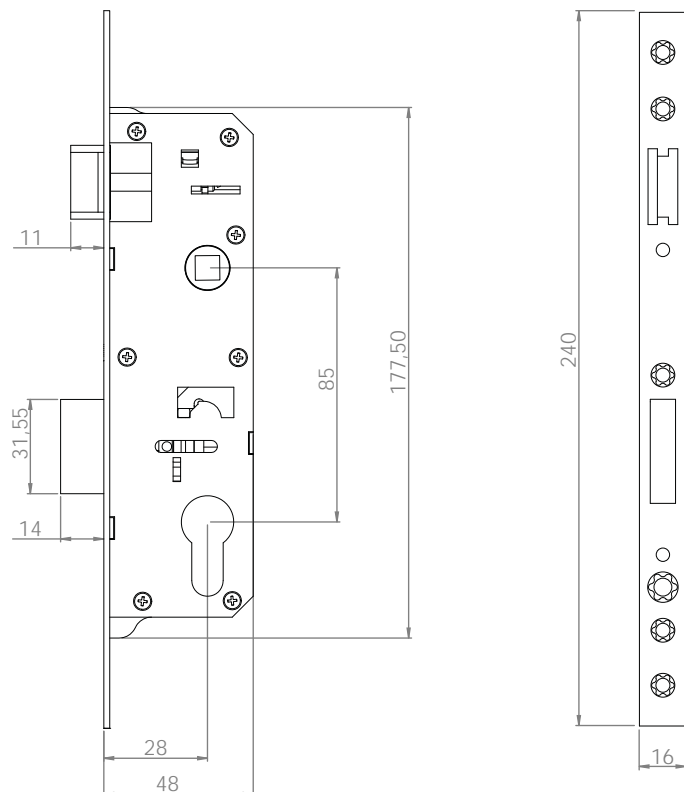
PZ: 90 mm Backset: 35 mm (Room) ●

	Qty. 	Kg
01.KIL003.00.00	40	14,30



PZ: 85 mm Backset: 28 mm (Cylindrical) ●

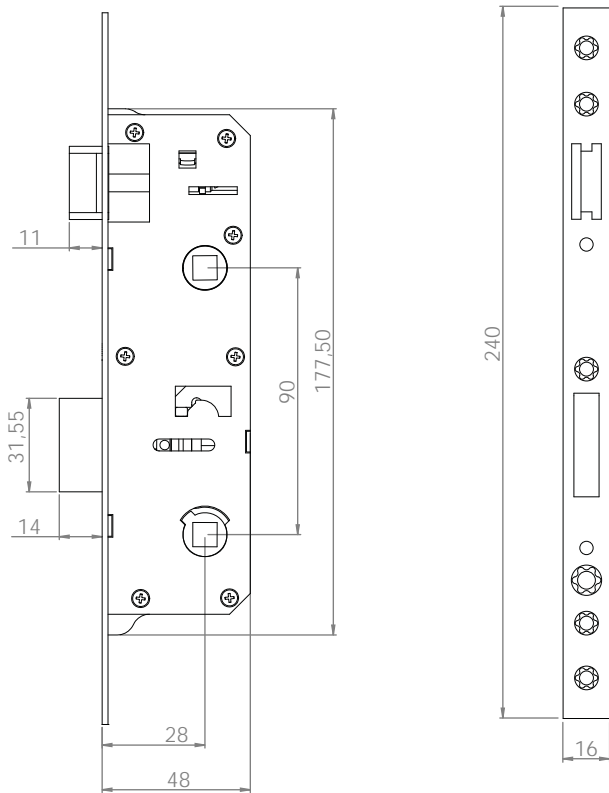
	Qty. 	Kg
01.KIL004.00.00	40	13,00



Mortice Locks

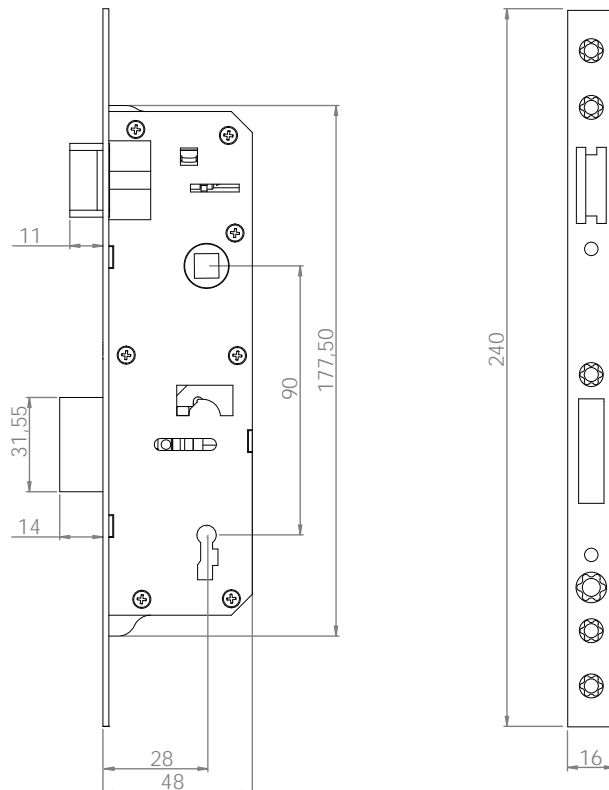
- Plastic Lock Case - Metal Cover Locks

- PZ: 90 mm Backset: 28 mm (WC / Bathroom)



	Qty.	Kg
01.KIL005.00.00	40	12,98



- PZ: 90 mm Backset: 28 mm (Room)

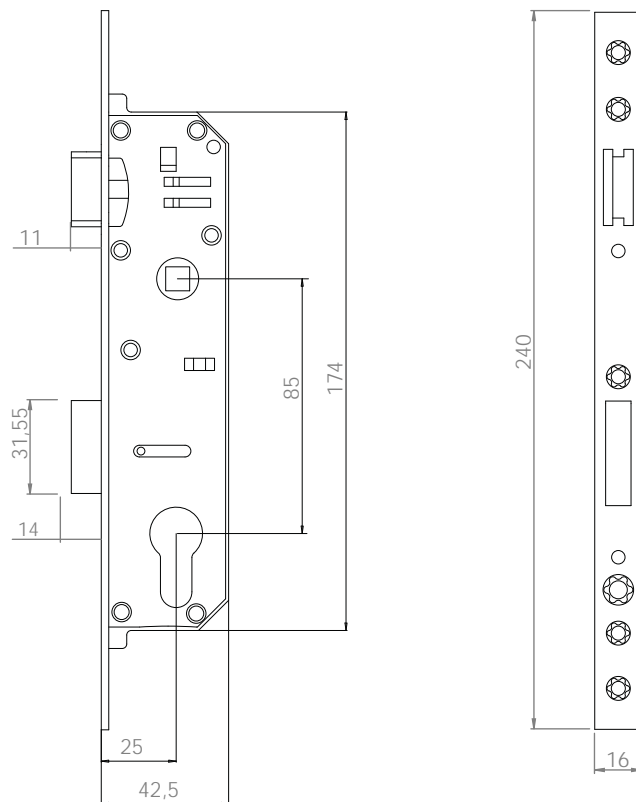


	Qty.	Kg
01.KIL006.00.00	40	13,70



Plastic Lock Case - Metal Cover Locks

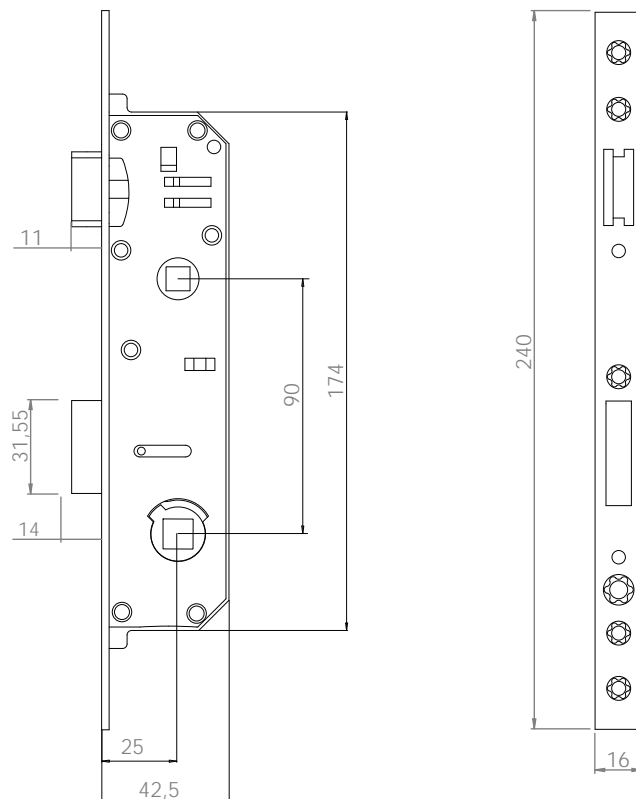
PZ: 85 mm Backset: 25 mm (Cylindrical) ●

	Qty. 	Kg
01.KIL008.00.00	40	10,67



PZ: 90 mm Backset: 25 mm (WC / Bathroom) ●

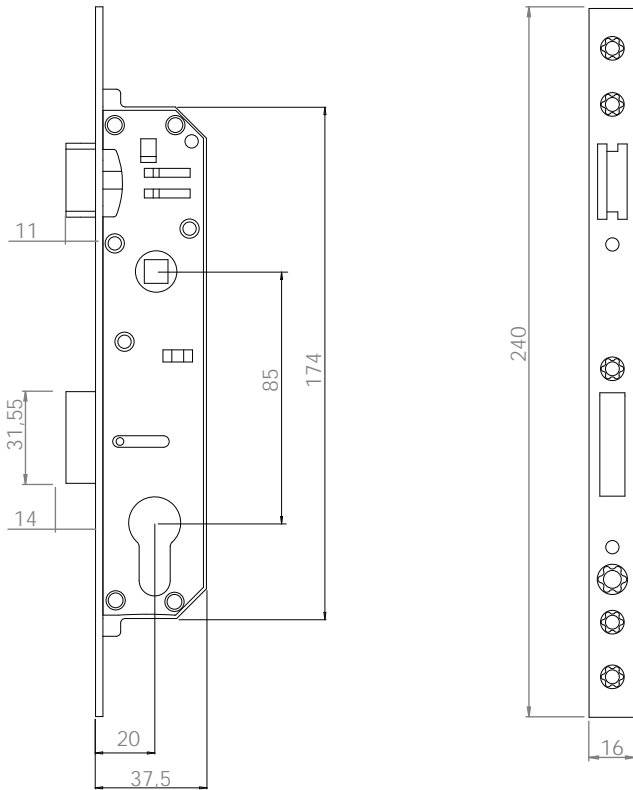
	Qty. 	Kg
01.KIL016.00.00	40	10,50





Mortice Locks

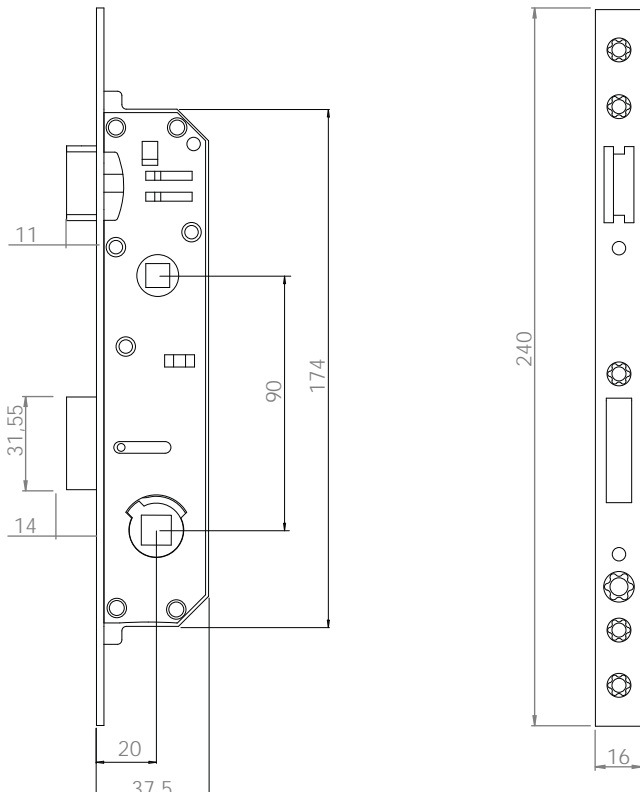
- Plastic Lock Case - Metal Cover Locks



- PZ: 85 mm Backset: 20 mm (Cylindrical)



	Qty. 	Kg
01.KIL007.00.00	40	10,15



- PZ: 90 mm Backset: 20 mm (WC / Bathroom)

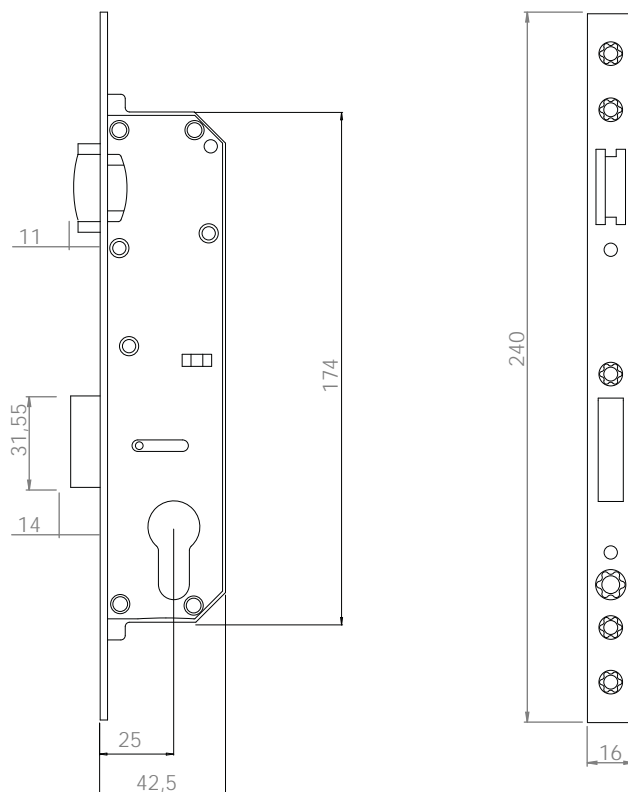


	Qty. 	Kg
01.KIL015.00.00	40	10,5



Plastic Lock Case - Metal Cover Locks ●

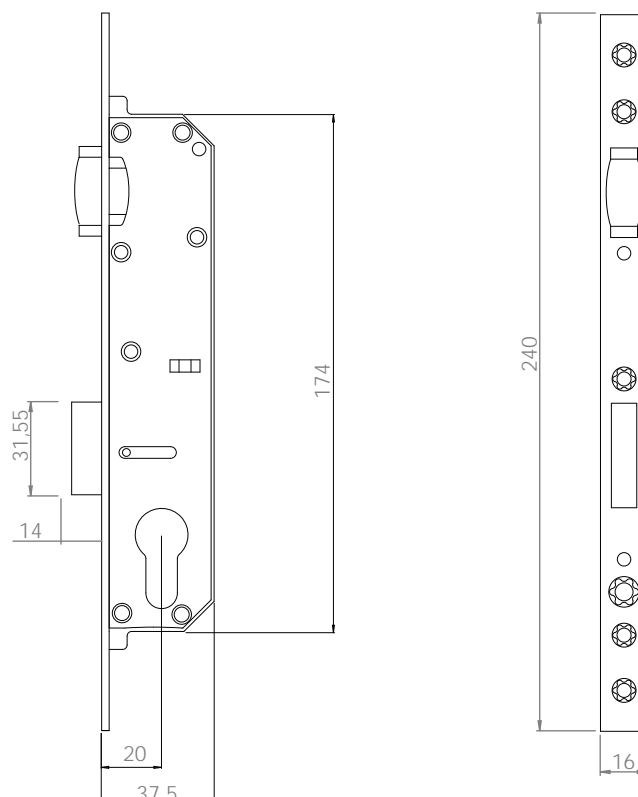
Backset: 25 mm (Roller Latch) ●

	Qty. 	Kg
01.KIL007.00.00	40	11,55



Backset: 20 mm (Roller Latch) ●

	Qty. 	Kg
01.KIL007.00.00	40	10,85

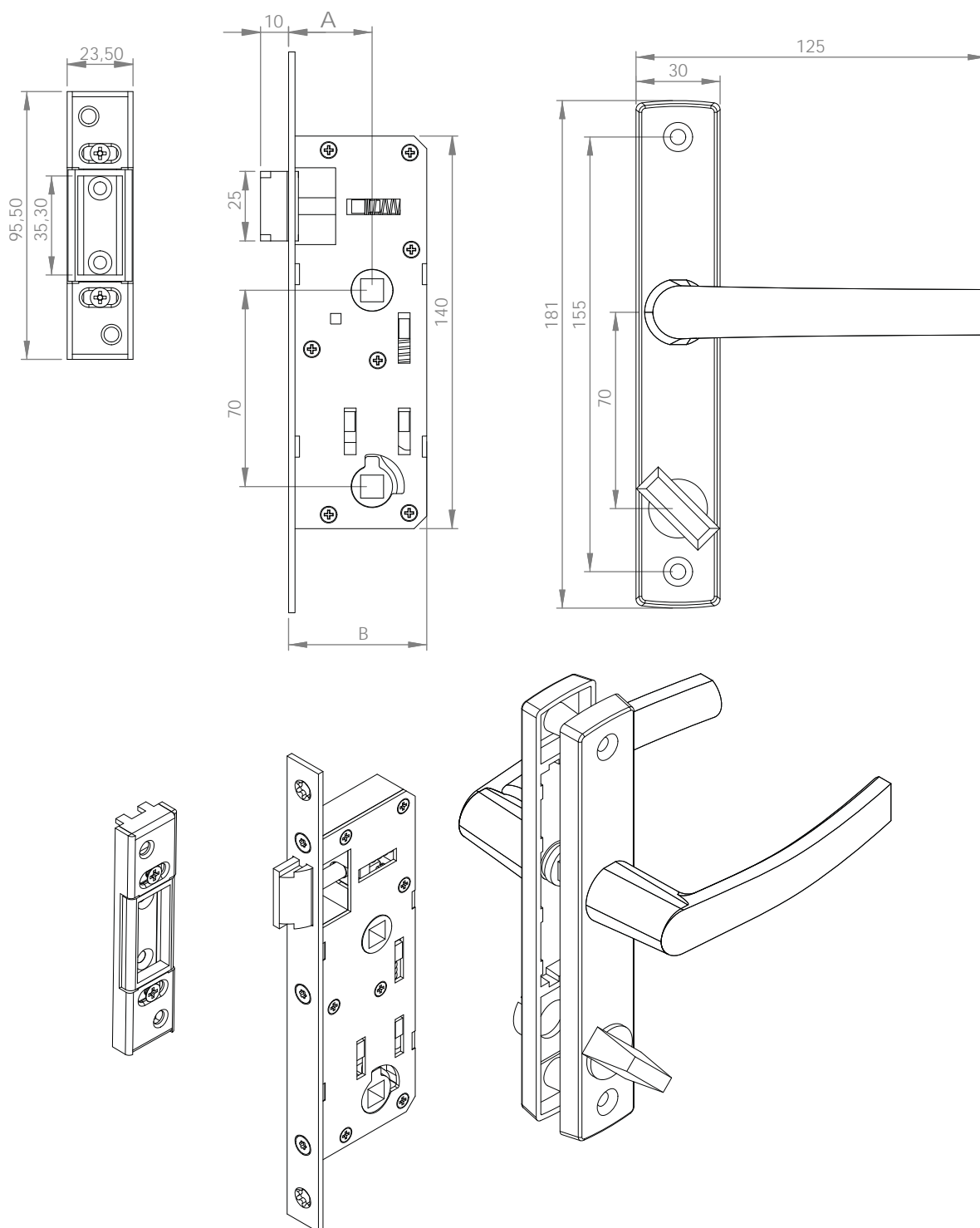


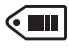

Mortice Locks

- Mini Lock Set



- PZ: 70 mm Backset: 30 / 25 mm

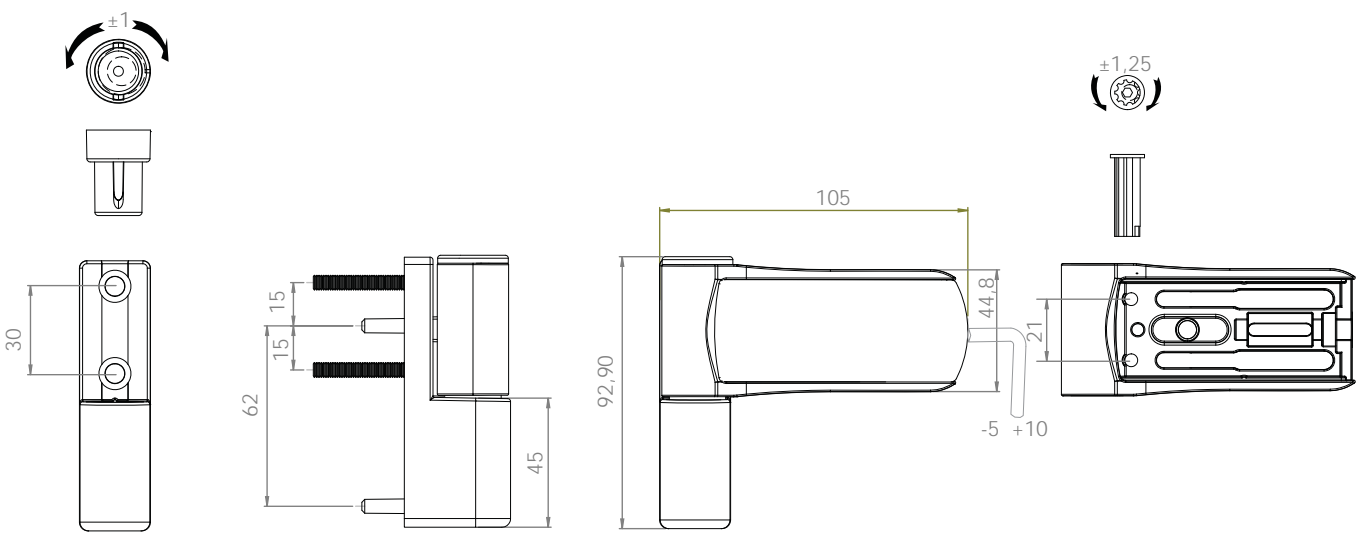
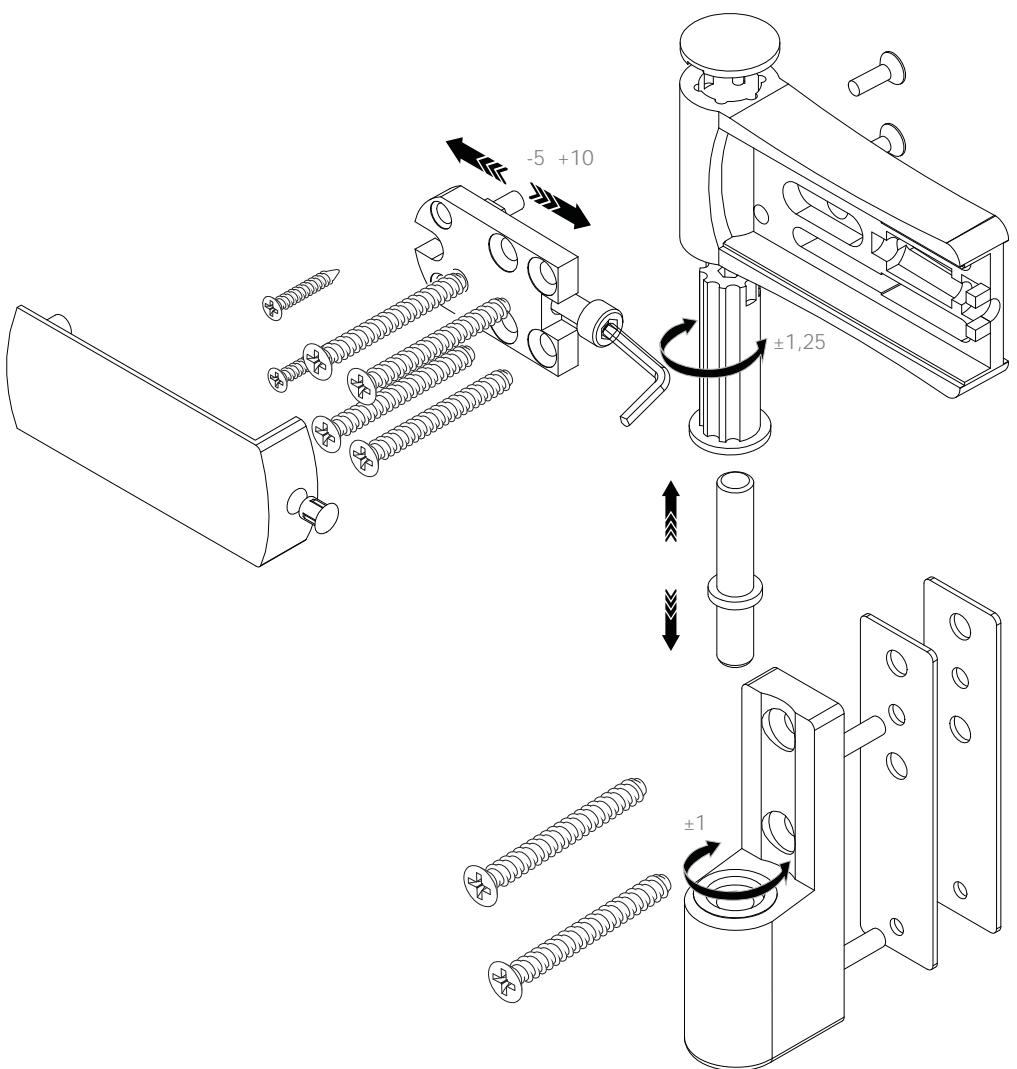


	A	B	Qty. 	Kg
01.KILO04.00.01	25	49,30	20	14,85
01.KILO03.00.01	30	44,30	20	14,85

Hinges For uPVC

- Zinc 3D Adjustable Door Hinge



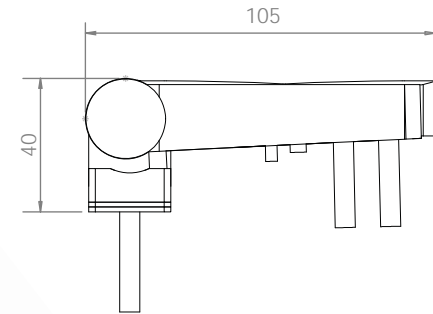


Hinges For uPVC

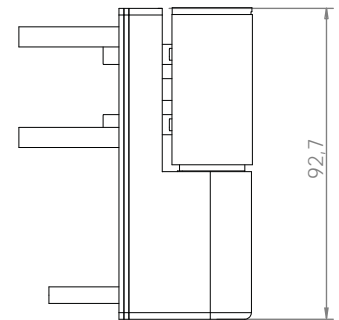
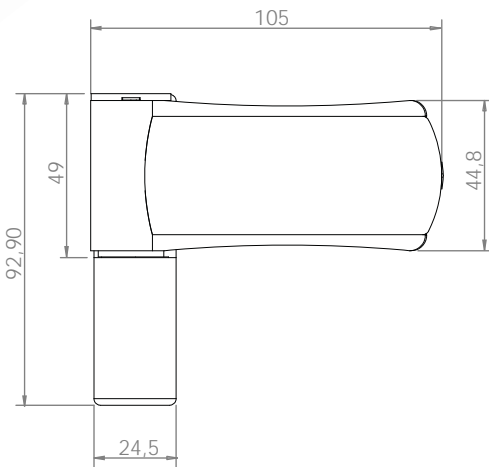
● 3D Adjustable Door Hinges



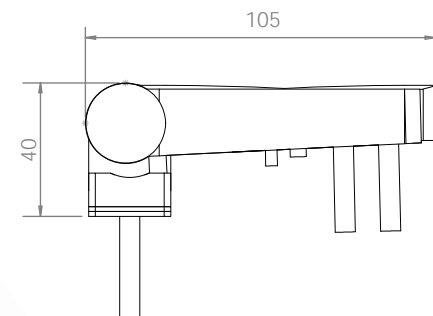
● Zinc 3D Adjustable Door Hinge



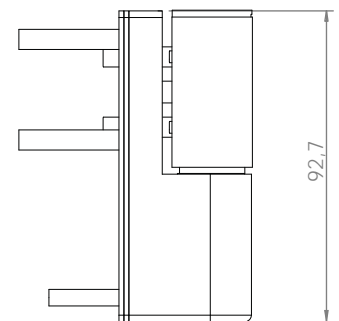
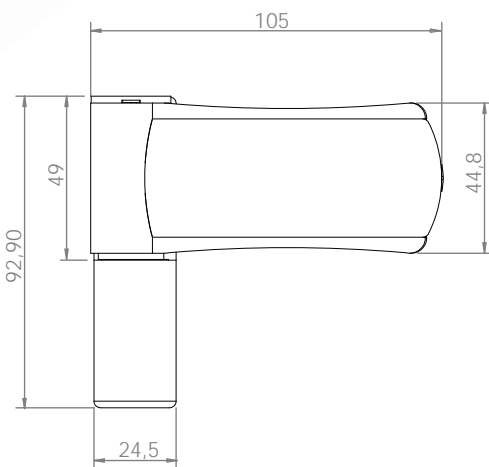
		Qty.	Kg
01.AKM110.00.01	8	24	15,6



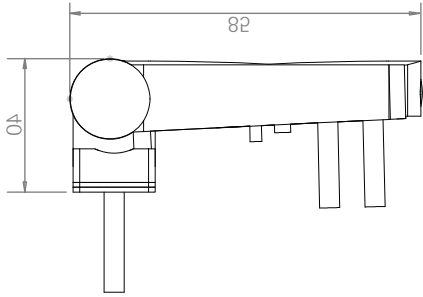
● Aluminium 3D Adjustable Door Hinge



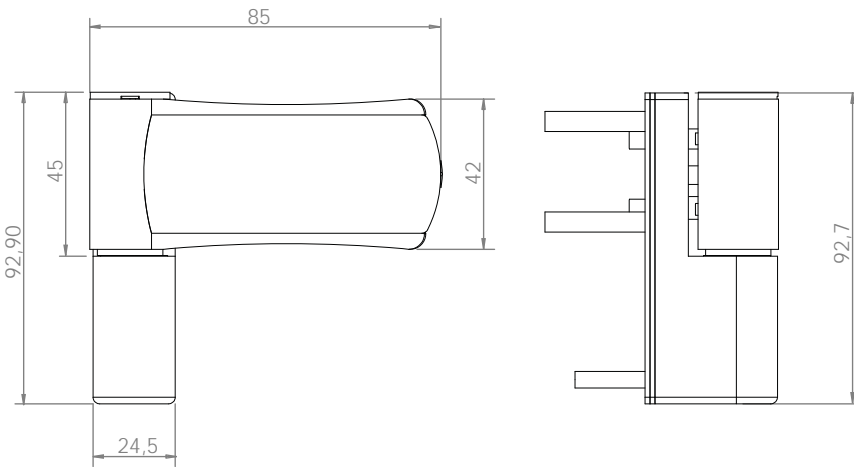
		Qty.	Kg
01.AKM111.00.01	8	24	10,5



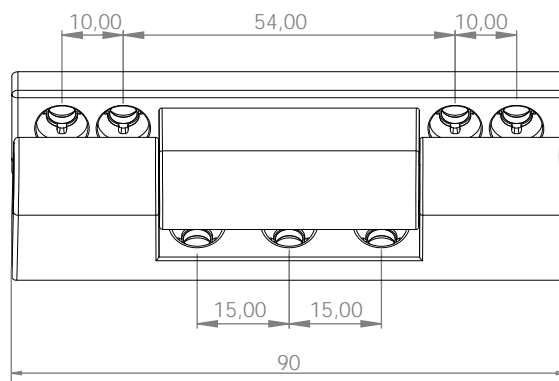
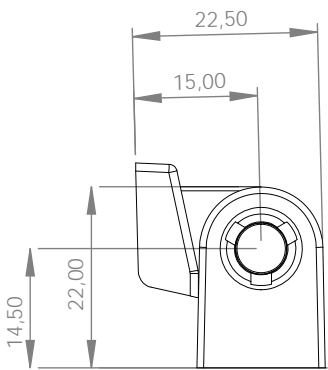
Small Zinc 3D Adjustable Door Hinge



		Qty.	Kg
01.AKM090.00.01	8	24	10,55



Plastic Covered Metal Hinge 90 mm



		Qty.	Kg
01.MNP090.00.01	7	200	-

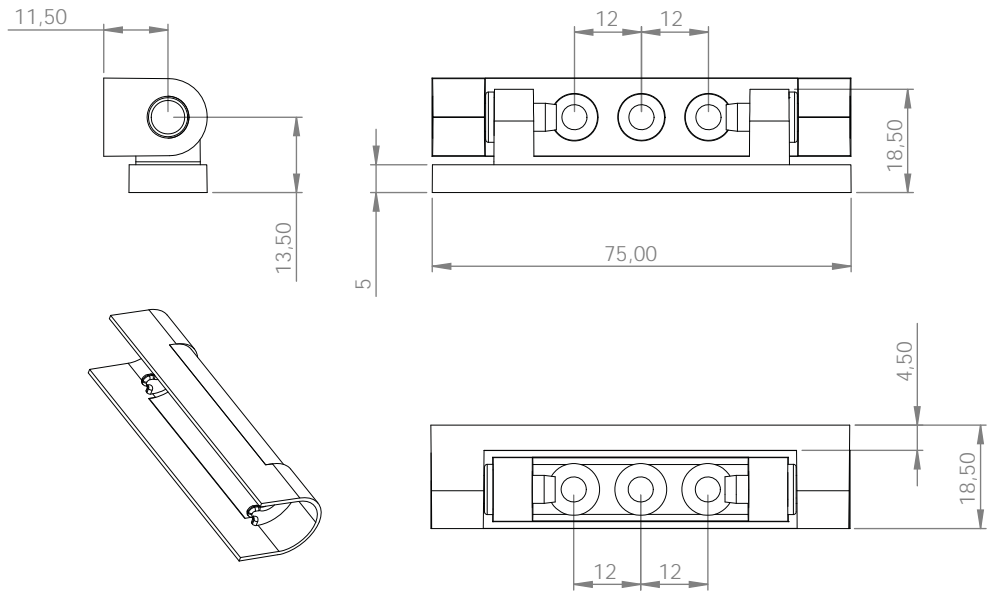


Hinges For uPVC

Window And Door Hinges



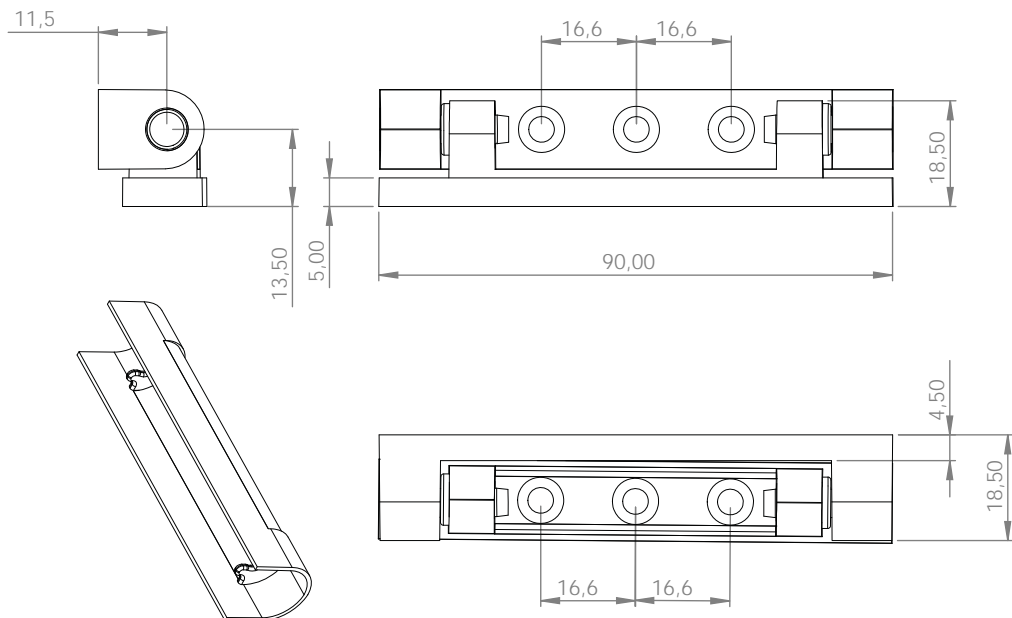
● Aluminium Speedy Hinge 75 mm



		Qty.	Kg
01.MNH075.00.01	6	200	8.80

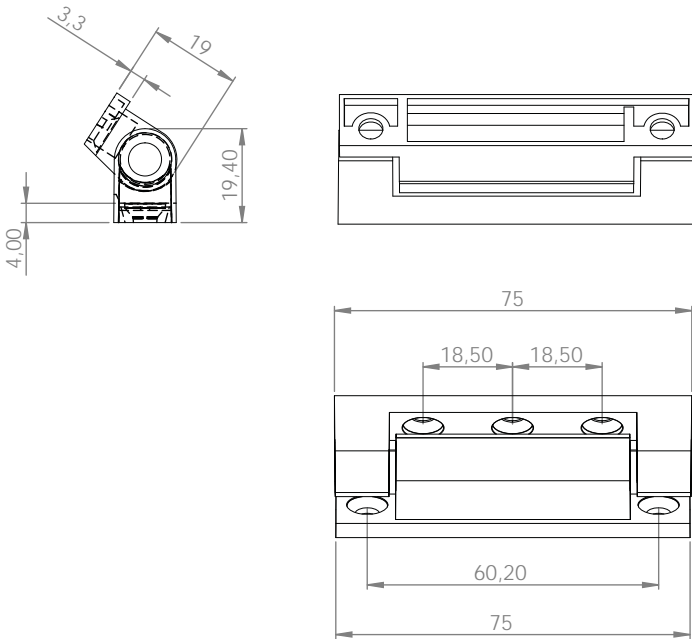


● Aluminium Speedy Hinge 90 mm



		Qty.	Kg
01.MNH090.00.01	6	200	10.48

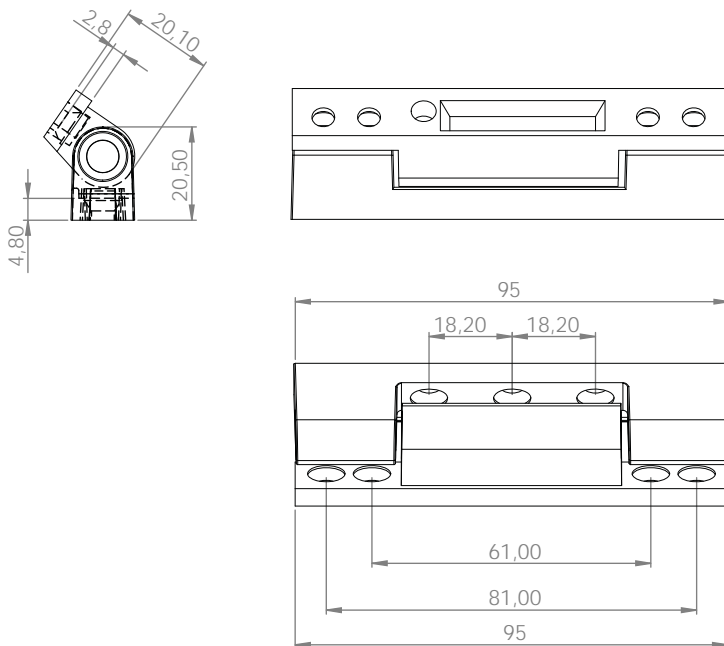
Aluminium Window Hinge 75 mm ●




		Qty. 	Kg
01.MNA075.00.01	5	200	11,20



Aluminium Door Hinge 95 mm ●



		Qty. 	Kg
01.MNA095.00.01	7	200	15,36

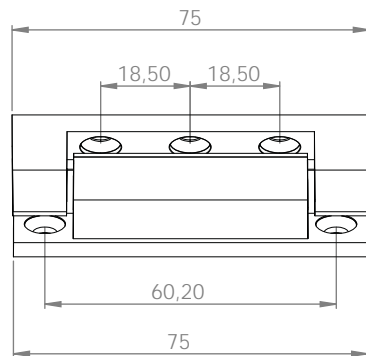
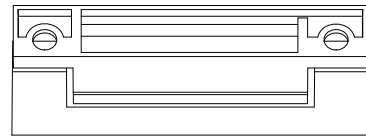
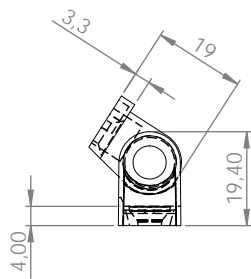


Hinges For uPVC

Window And Door Hinges



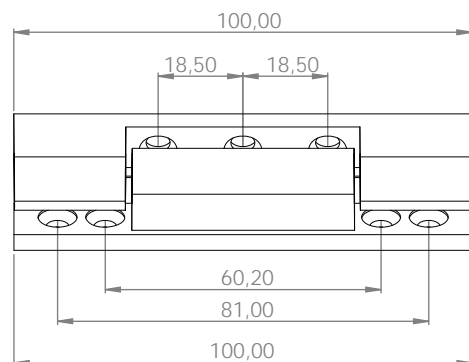
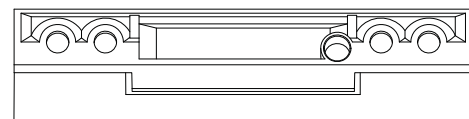
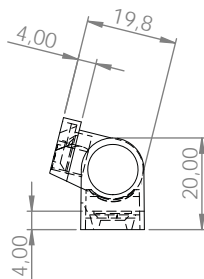
● Zinc Window Hinge 75 mm



		Qty.	Kg
ZM009	5	150	12,82

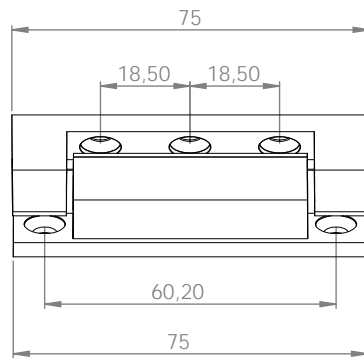
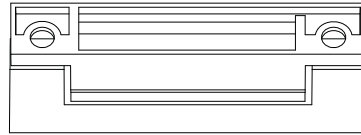
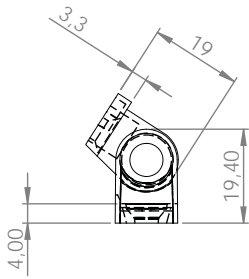


● Zinc Door Hinge 100 mm



		Qty.	Kg
ZM010	7	150	17,7

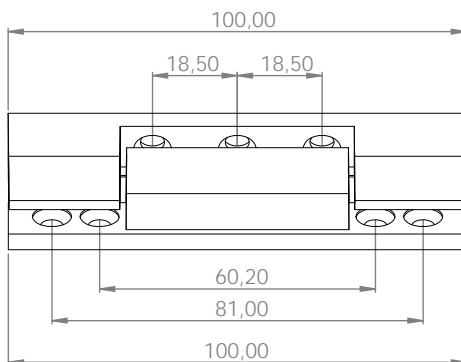
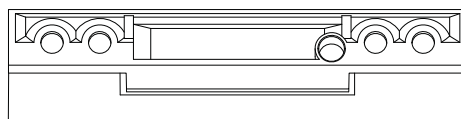
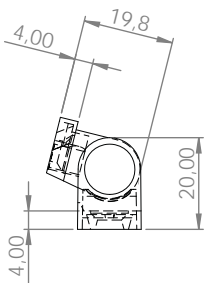
Zinc Window Hinge 75 mm / Economic ●



		Qty.		Kg
ZM016	5	150		11,85



Zinc Door Hinge 100 mm / Economic ●



		Qty.		Kg
ZM017	7	150		16,5

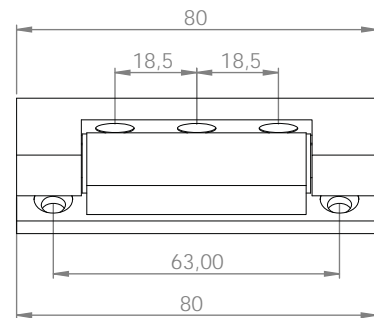
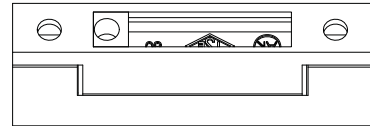
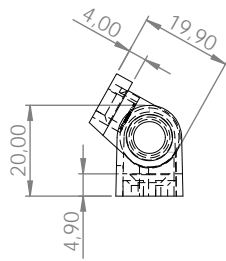


Hinges For uPVC

Window And Door Hinges



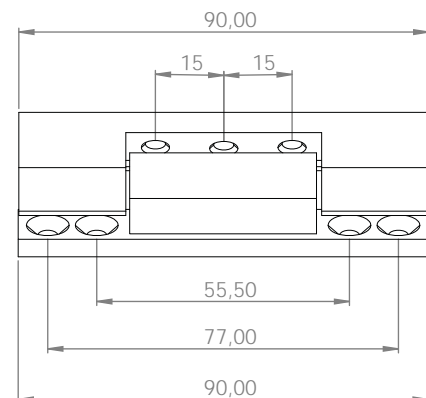
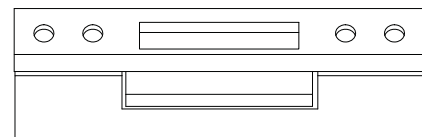
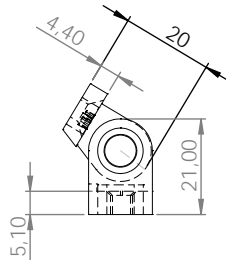
● Zinc Window Hinge 80 mm



		Qty.		Kg
ZM003	5	150		15,22

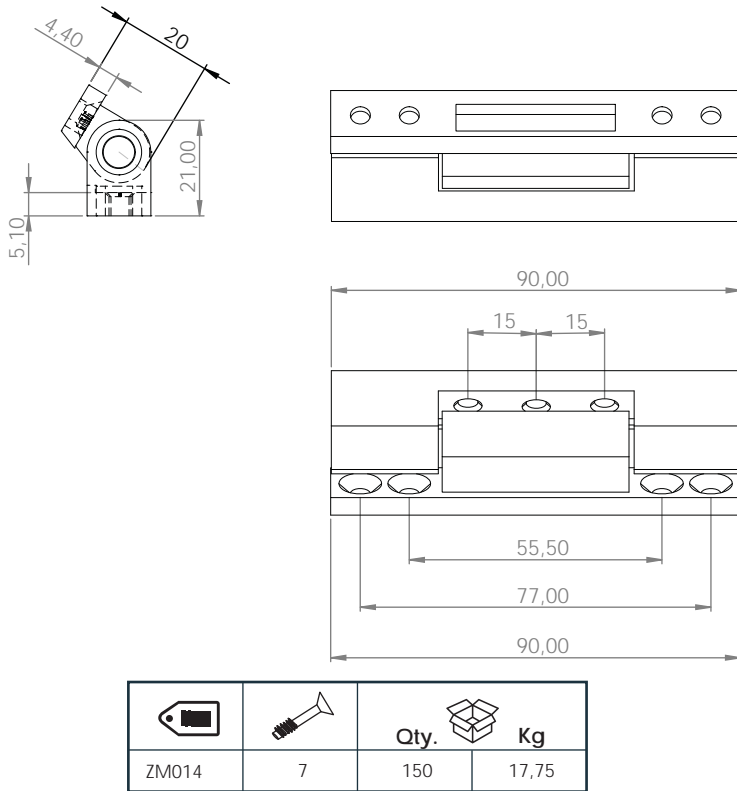


● Zinc Door Hinge 90 mm

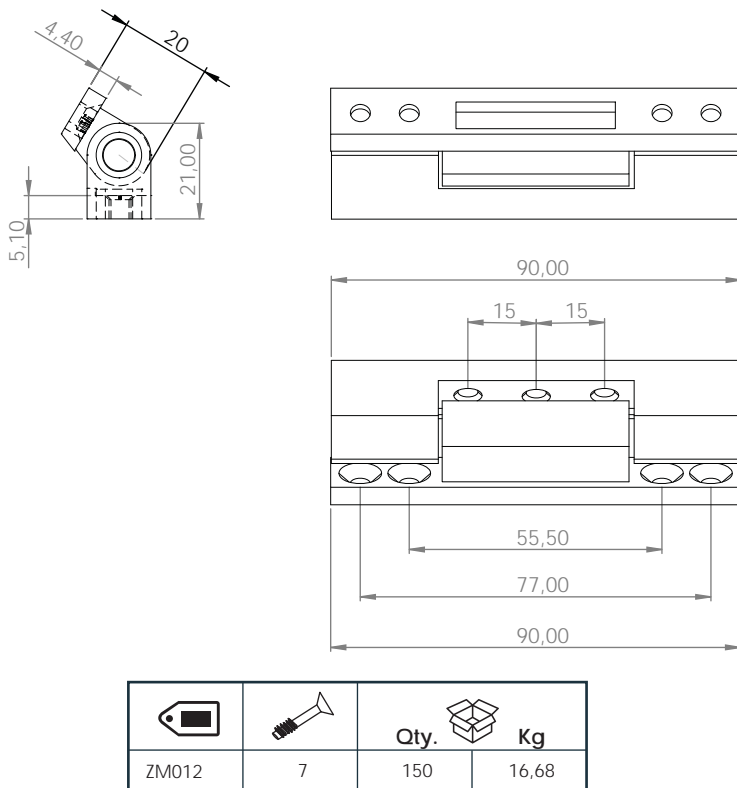


		Qty.		Kg
ZM004	7	150		17,75

Zinc Door Hinge 90 mm For Firatpen ●



Zinc Door Hinge 90 mm For Adopen Marmara ●

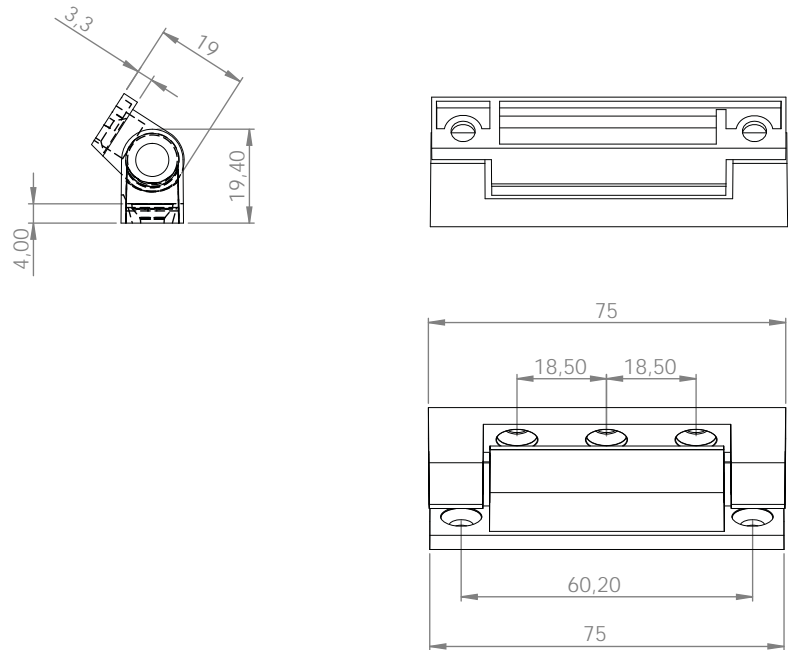


Hinges For uPVC

Window And Door Hinges



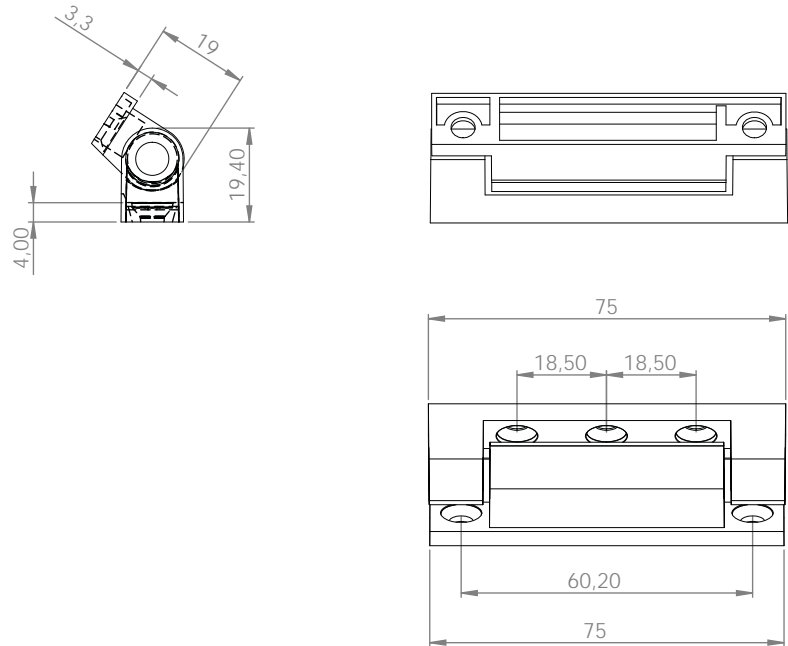
● Zinc Window Hinge 75 mm For Adopen Marmara



		Qty.	Kg
ZM011	5	150	13,28

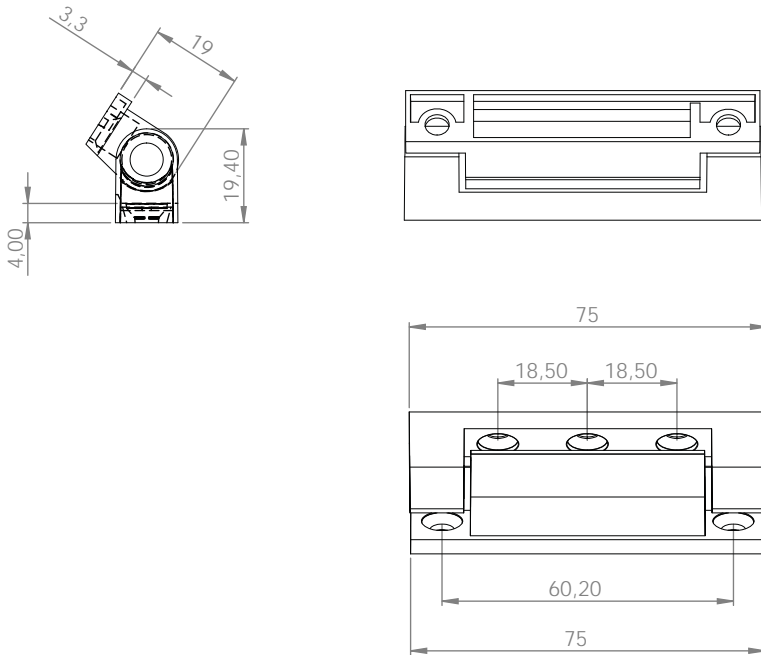


● Zinc Window Hinge 75 mm For Egepen



		Qty.	Kg
ZM002	5	150	15,50

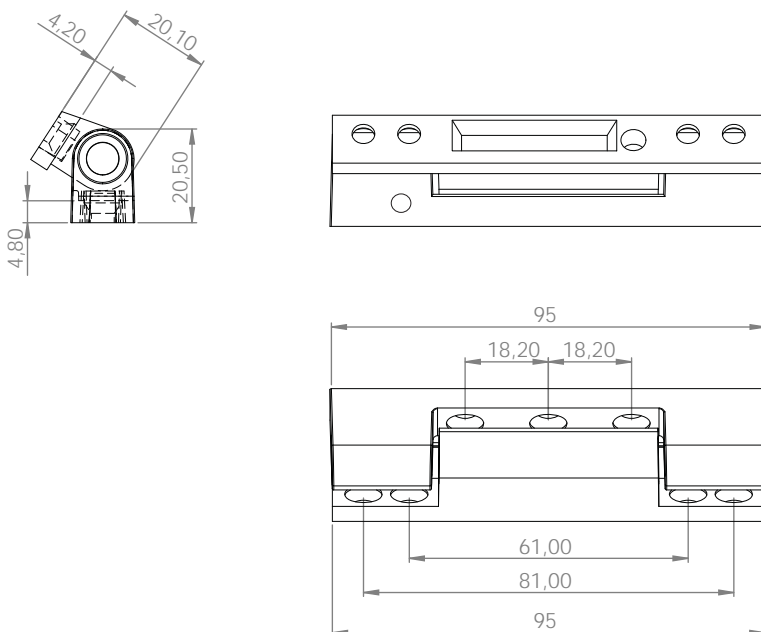
Zinc Window Hinge 75 mm For Egepen Max / Adopen Atlantik



		Qty.		Kg
ZM013	5	150		14,40



Zinc Door Hinge 95 mm Outward Opening



		Qty.		Kg
ZM006	7	150		20,22



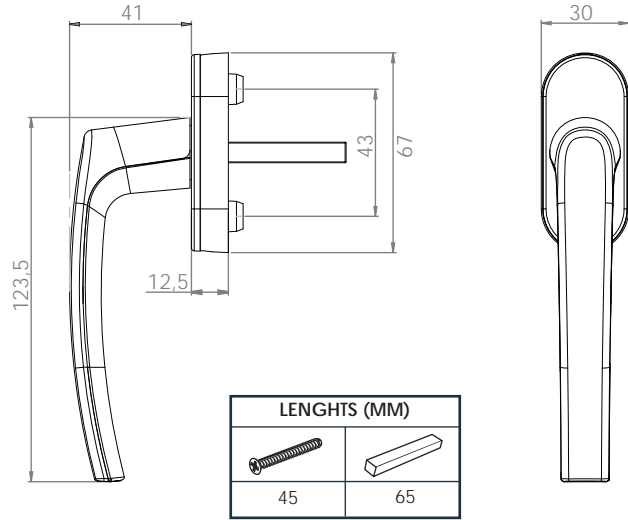




Handles For uPVC

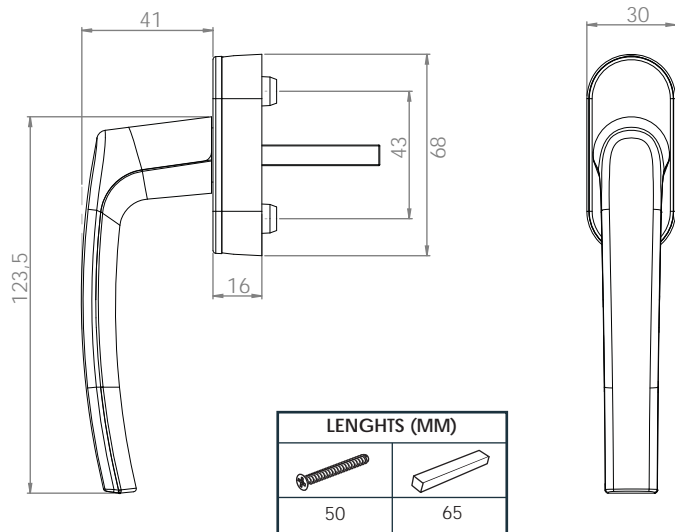
Mesut Window And Door Handles

Mesut Aluminium Window Handle



		Qty.	Kg
01.APK006.01.01	2	100	14,05

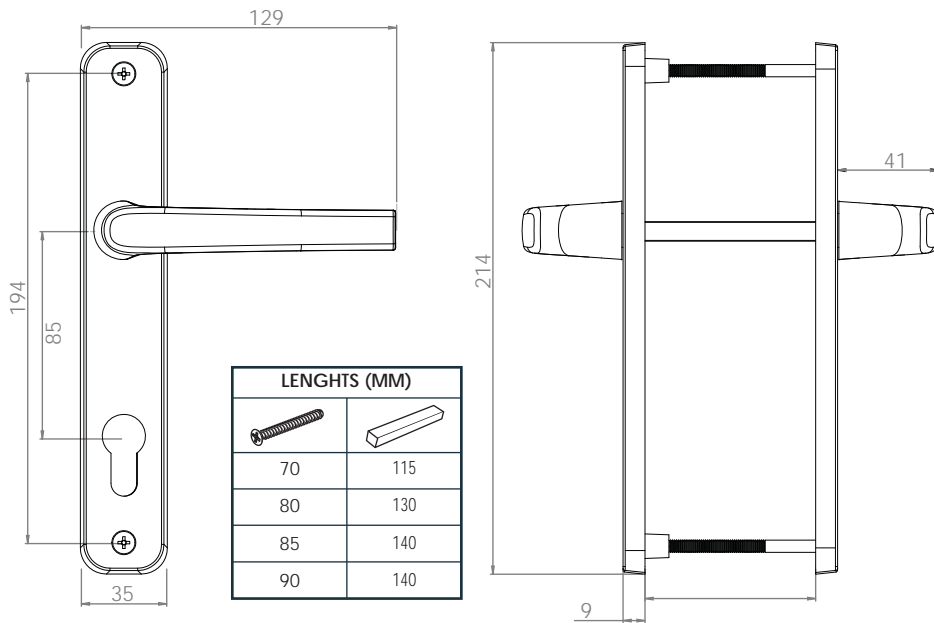
Mesut Max Aluminium Acoustic Window Handle



		Qty.	Kg
01.APK018.01.01	2	100	16,25

Mesut Window And Door Handles

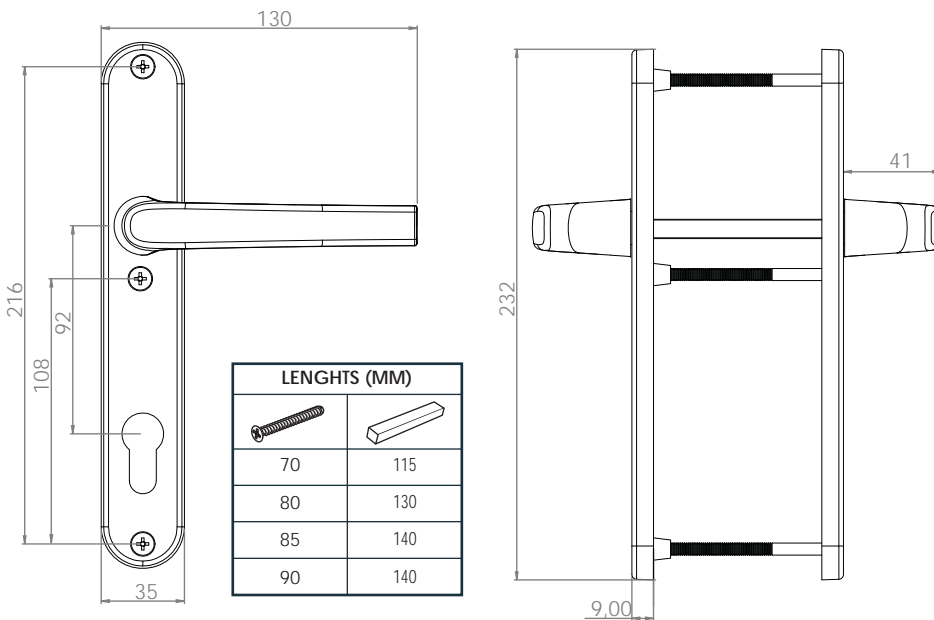
Mesut Aluminium Door Handle ●
PZ: 85 mm Backset: 35 mm



		Qty.	Kg
01.AKK013.00.01	2	40	17,33



Mesut Aluminium Door Handle ●
PZ: 92 mm Backset: 35 mm



		Qty.	Kg
01.AKK039.00.01	3	40	17,77

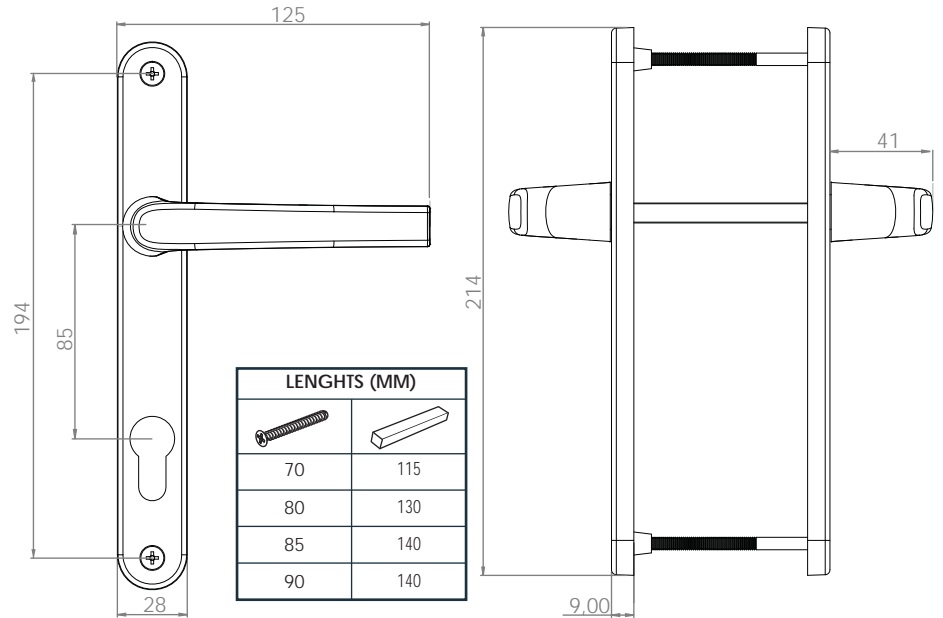


Handles For uPVC

Mesut Window And Door Handles



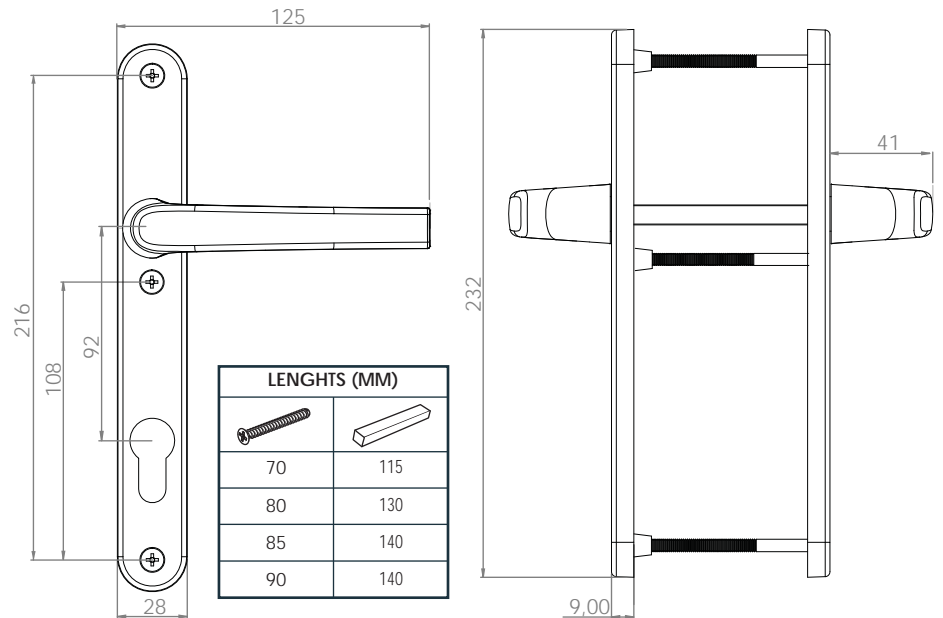
● Mesut Aluminium Door Handle
PZ: 85 mm Backset: 28 mm



		Qty.	Kg
01.AKK031.00.01	2	40	16,3

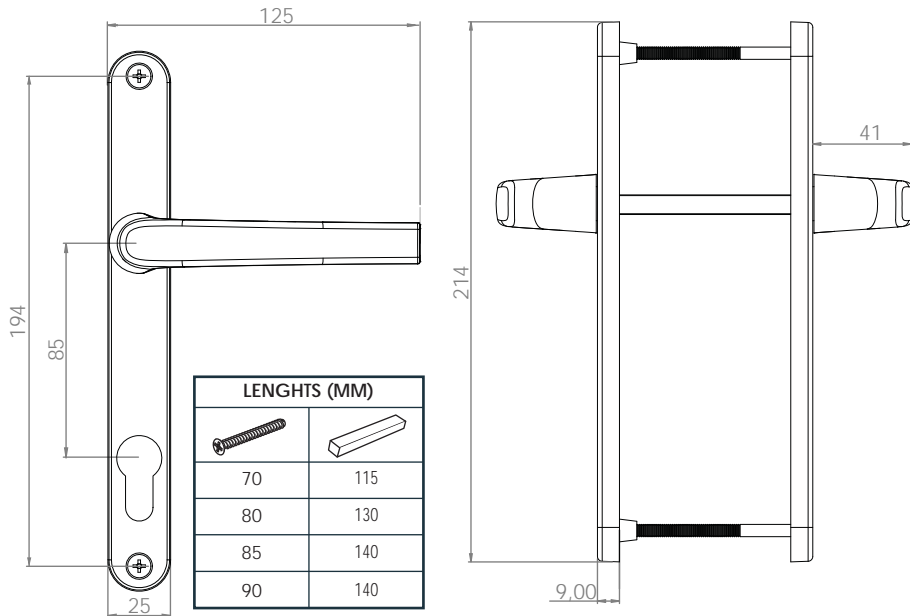


● Mesut Aluminium Door Handle
PZ: 92 mm Backset: 28 mm



		Qty.	Kg
01.AKK038.00.01	2	40	147,25

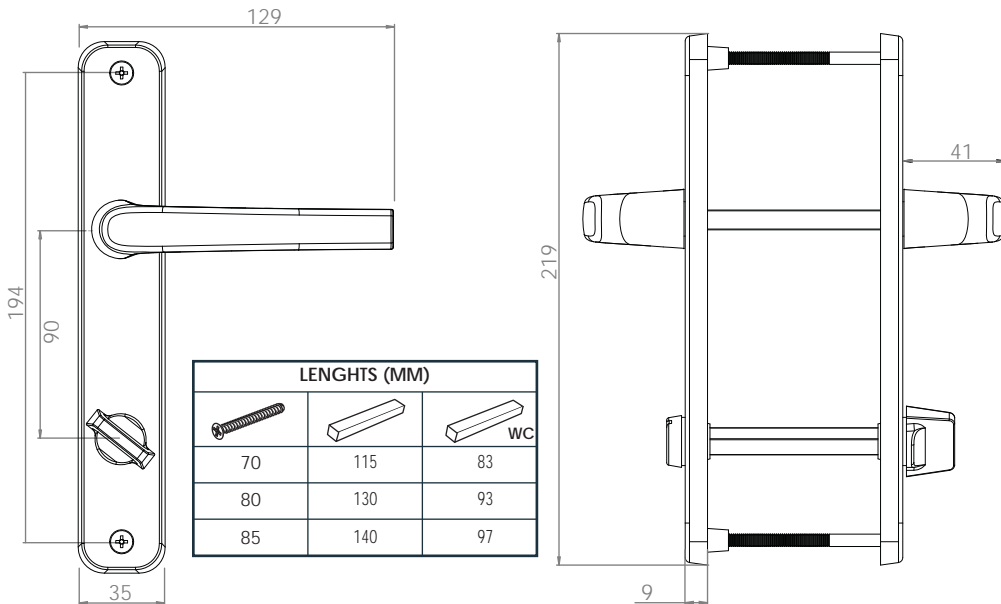
Mesut Aluminium Door Handle ●
PZ: 85 mm Backset: 25 mm



		Qty.	Kg
01.AKK055.00.01	2	40	15,75



Mesut Aluminium WC Handle ●
PZ: 90 mm Backset: 35 mm



		Qty.	Kg
01.AKK014.01.01	3	40	19,50

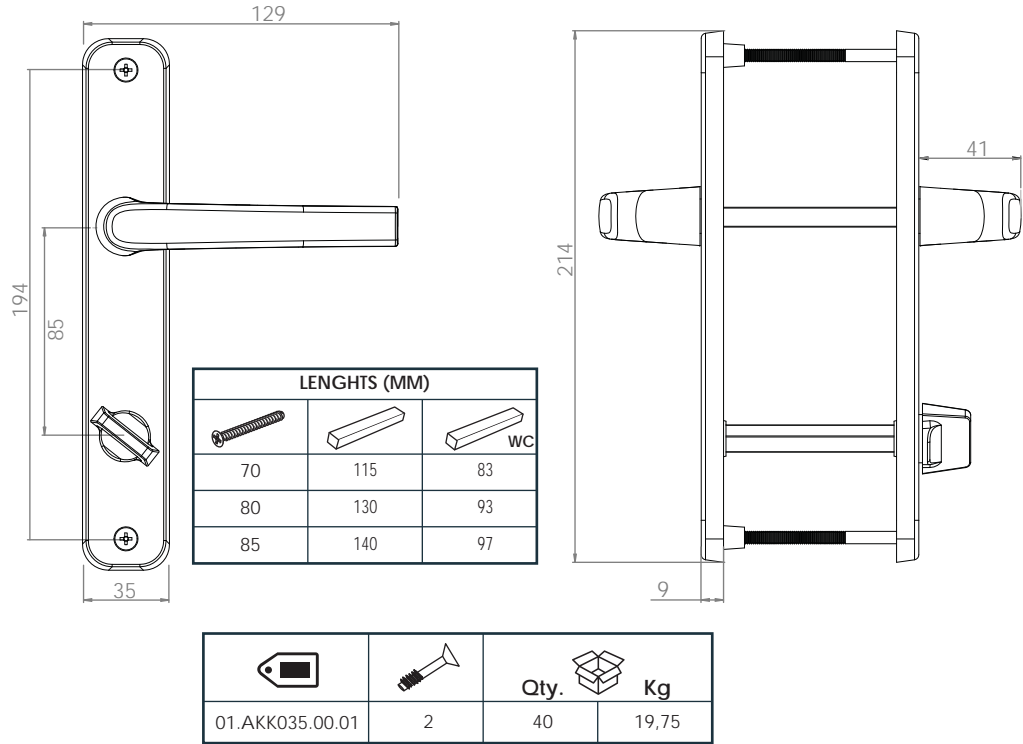


Handles For uPVC

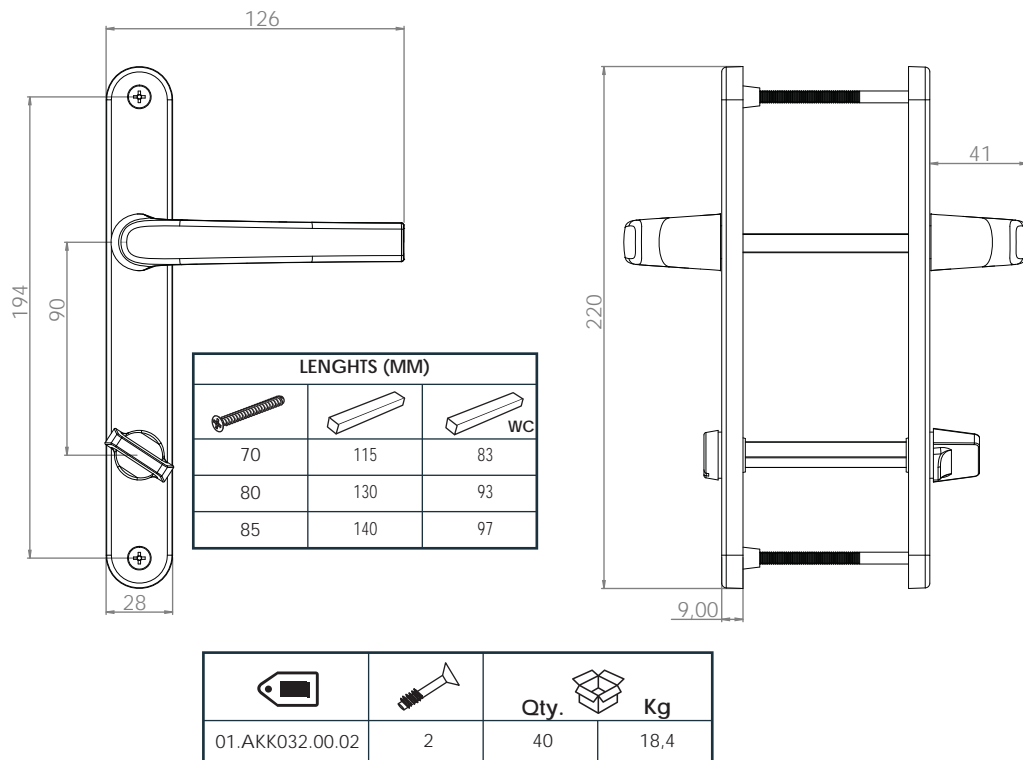
Mesut Window And Door Handles



● Mesut Aluminium Balcony Handle
PZ: 85 mm Backset: 35 mm

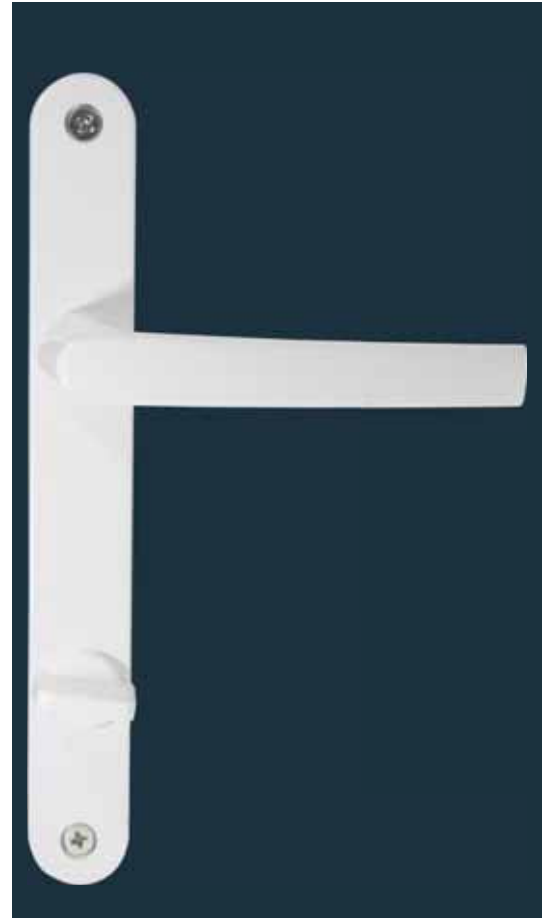
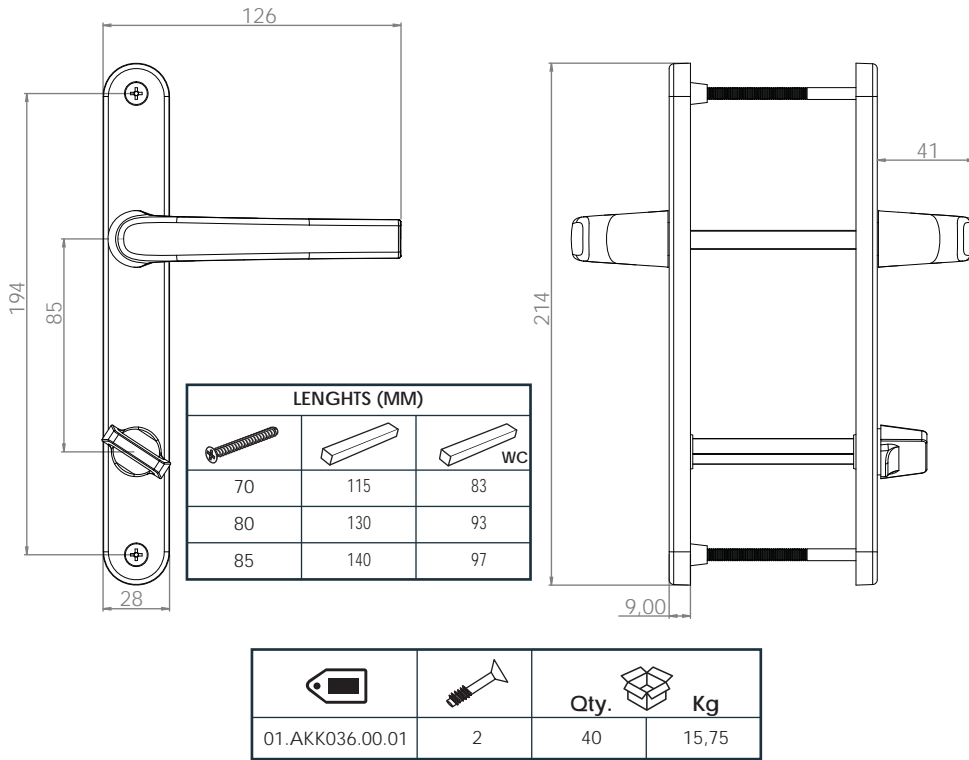


● Mesut Aluminium WC Handle
PZ: 90 mm Backset: 28 mm

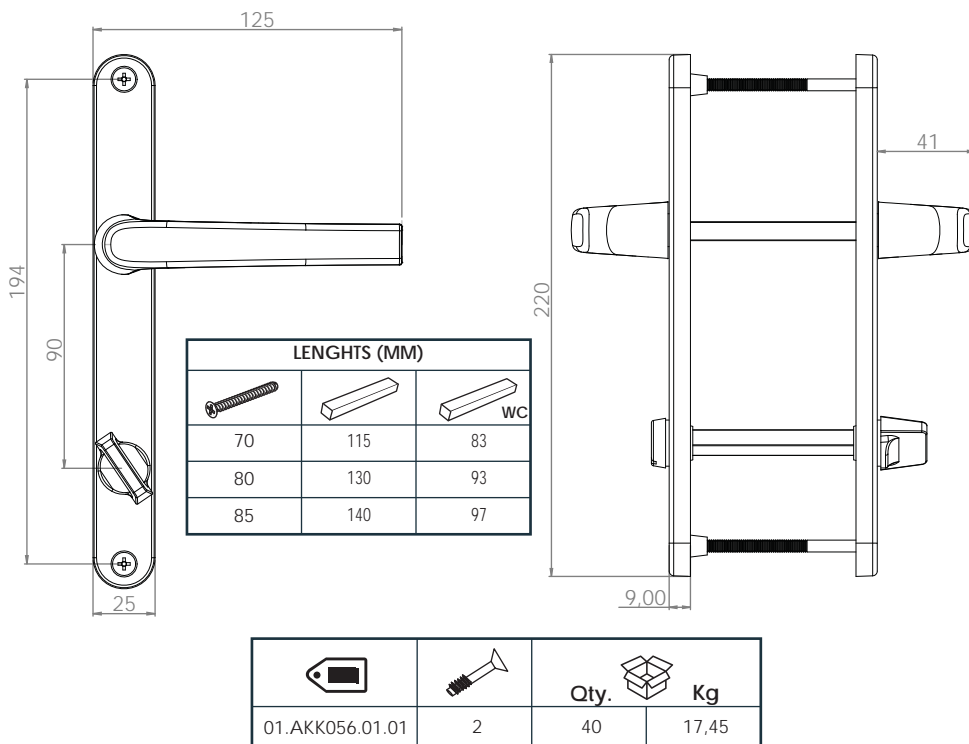


Mesut Window And Door Handles

Mesut Aluminium Balcony Handle ●
PZ: 85 mm Backset: 28 mm



Mesut Aluminium WC Handle ●
PZ: 90 mm Backset: 25 mm

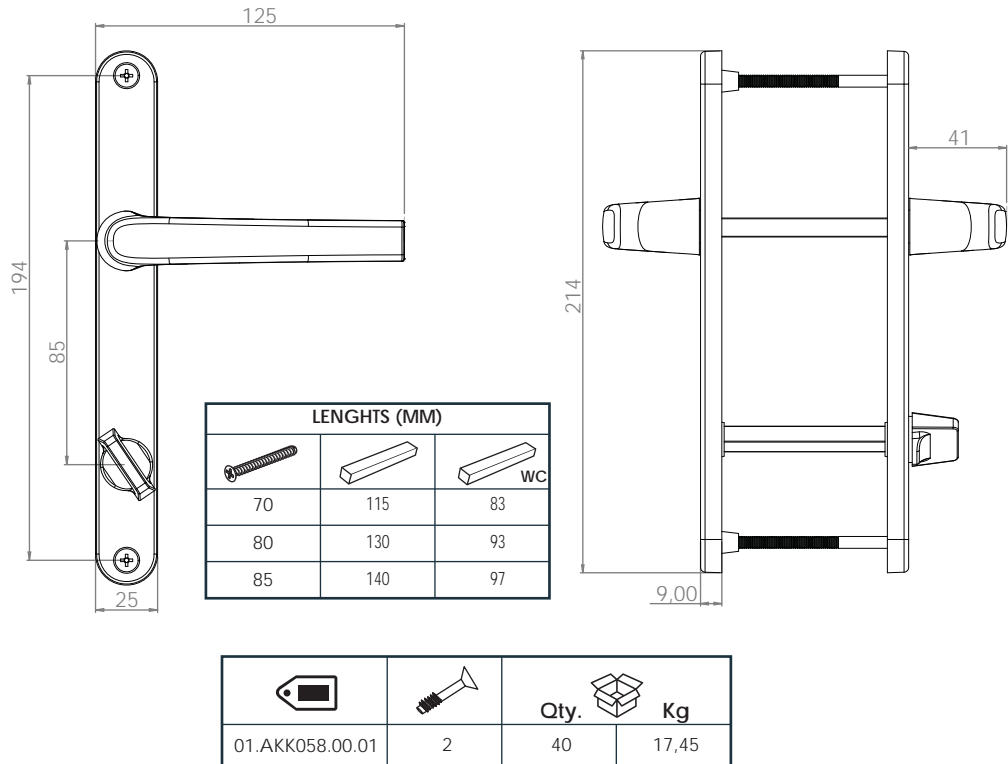


Handles For uPVC

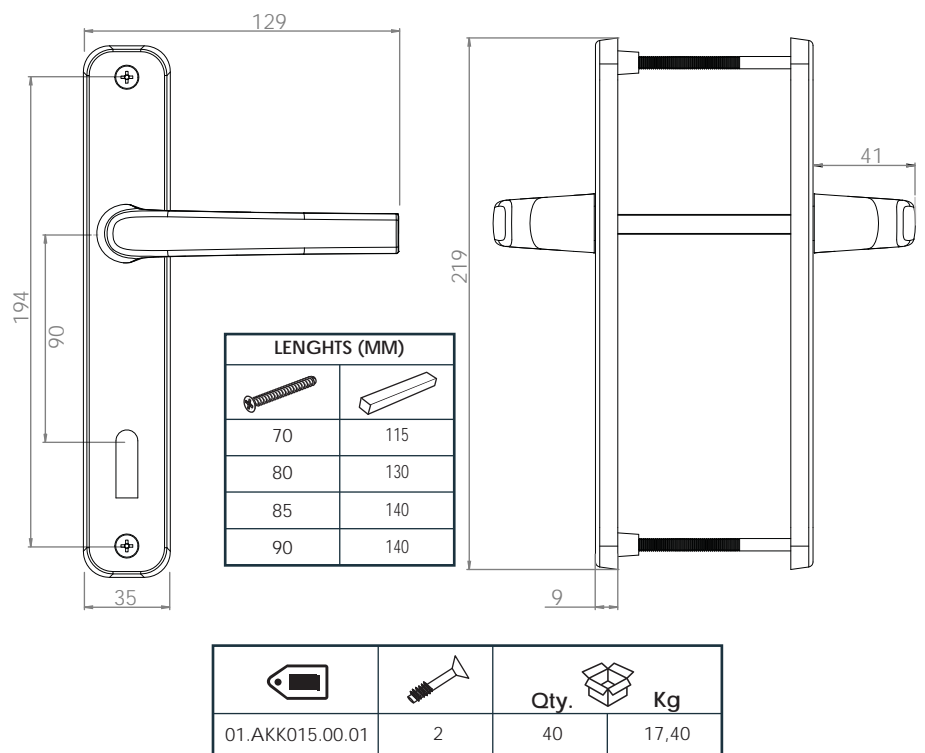
Mesut Window And Door Handles



● Mesut Aluminium Balcony Handle
PZ: 85 mm Backset: 25 mm

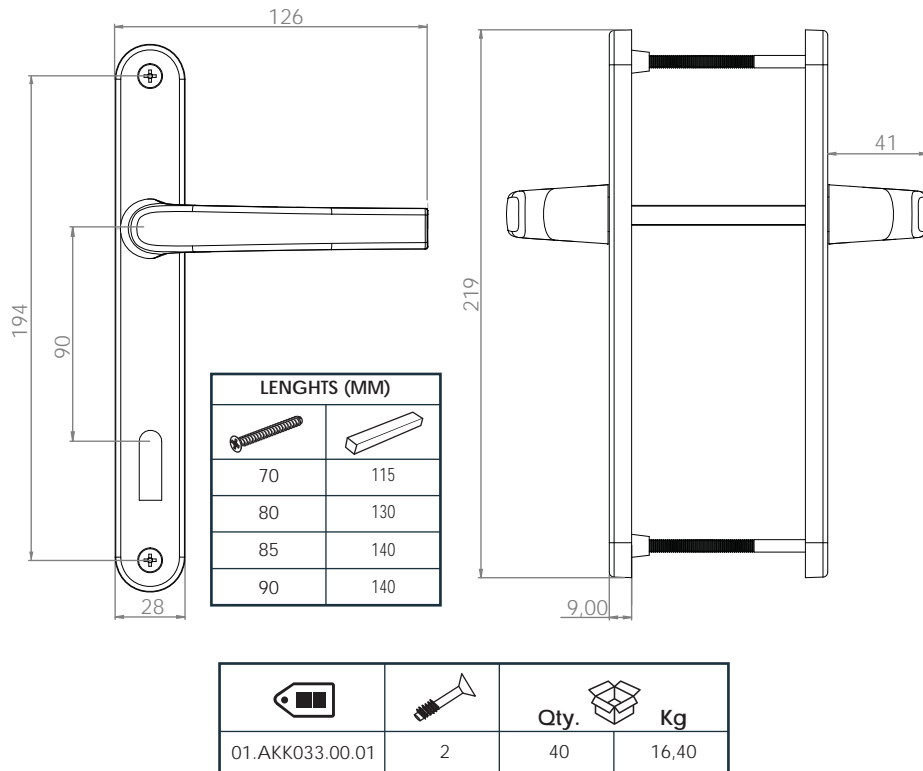


● Mesut Aluminium Room Handle
PZ: 90 mm Backset: 35 mm

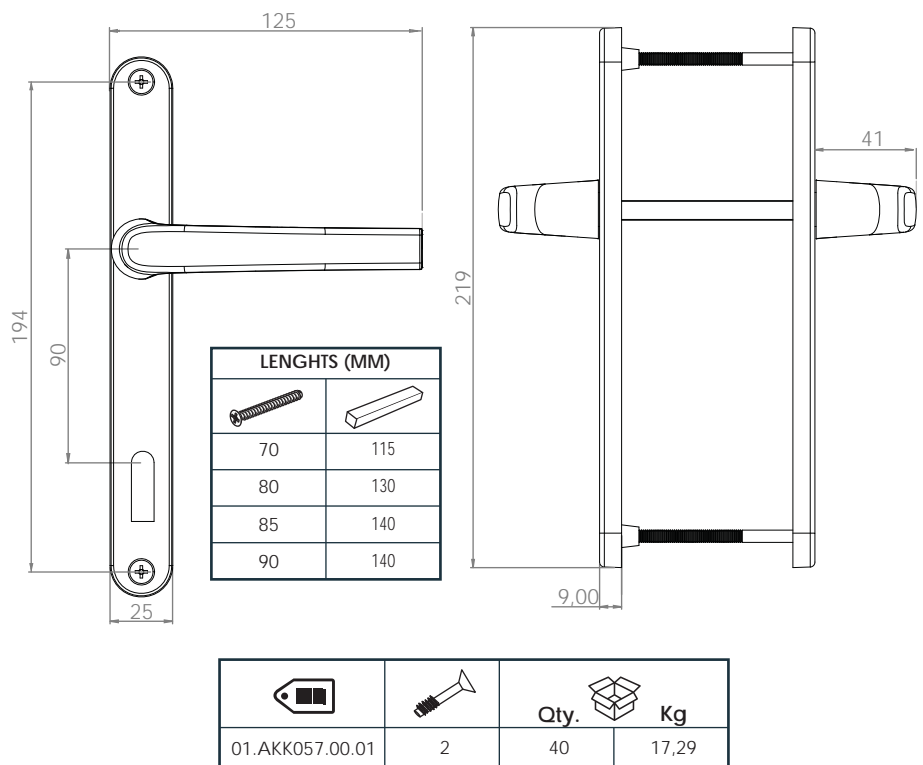


Mesut Window And Door Handles

Mesut Aluminium Room Handle ●
PZ: 90 mm Backset: 28 mm



Mesut Aluminium Room Handle ●
PZ: 90 mm Backset: 25 mm

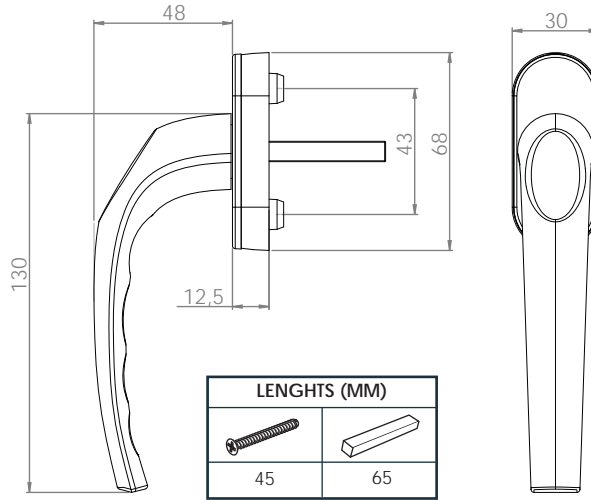


Handles For uPVC

● Ikon Window And Door Handles



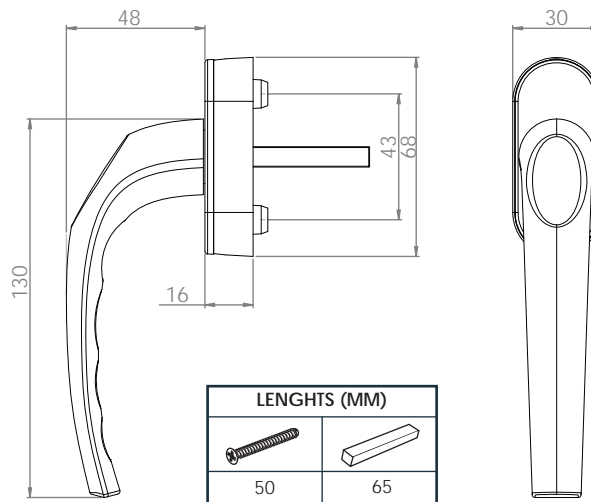
● Ikon Aluminium Window Handle



		Qty.	Kg
01.APK011.01.01	2	100	16,20

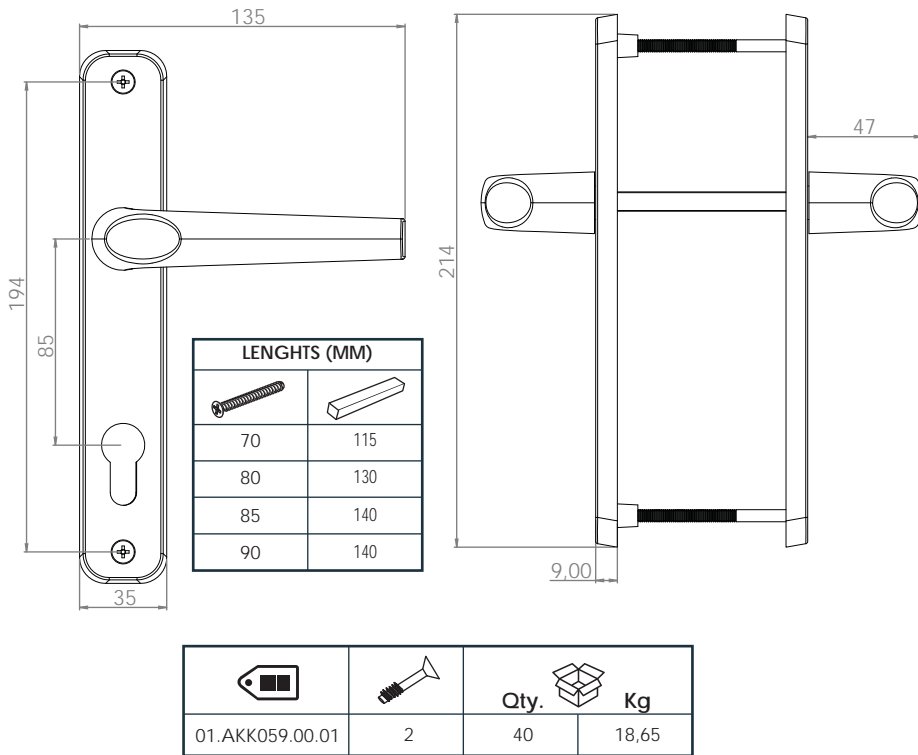


● Ikon Aluminium Acoustic Window Handle

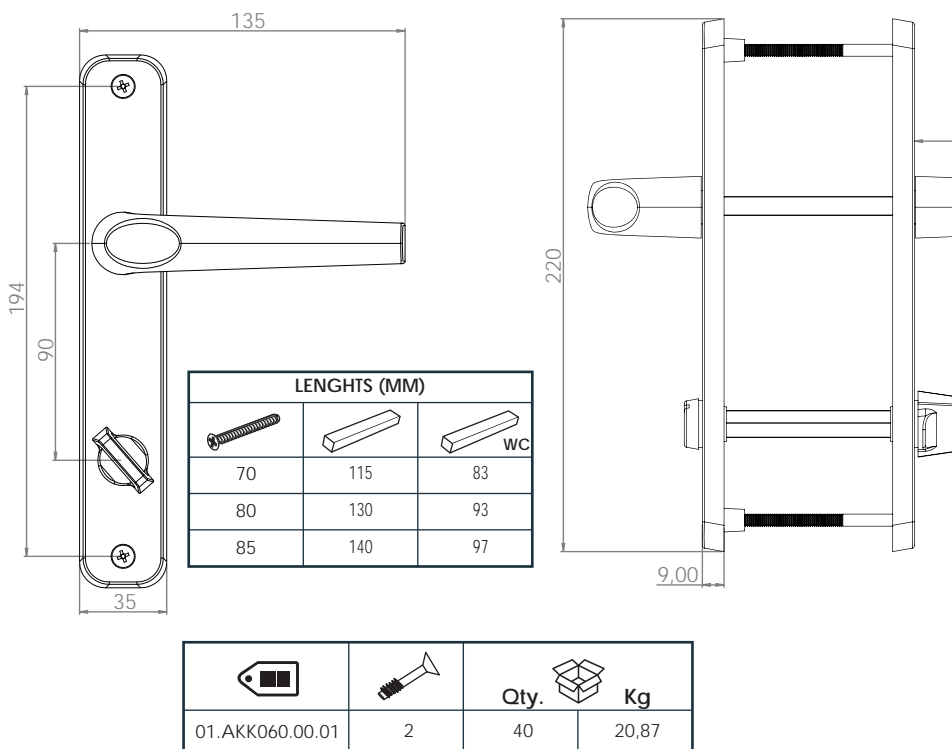


		Qty.	Kg
01.APK012.01.01	2	100	16,30

Ikon Aluminium Door Handle ●
PZ: 85 mm Backset: 35 mm

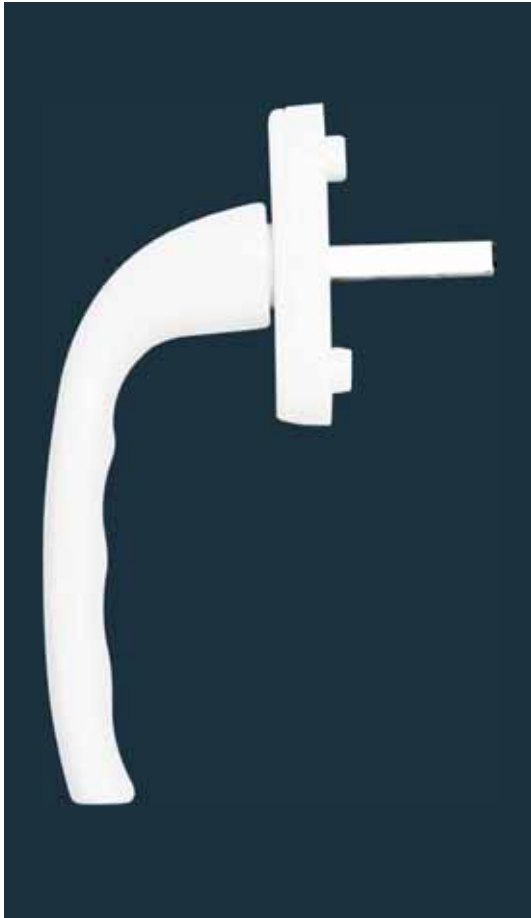


Ikon Aluminium WC Handle ●
PZ: 90 mm Backset: 35 mm

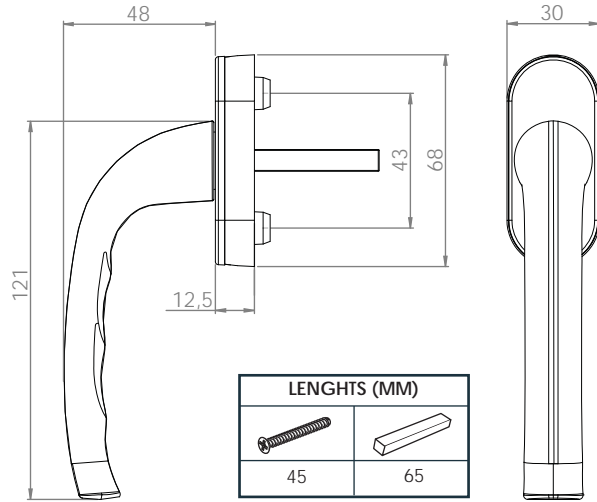


Handles For uPVC

● Mega Window And Door Handles



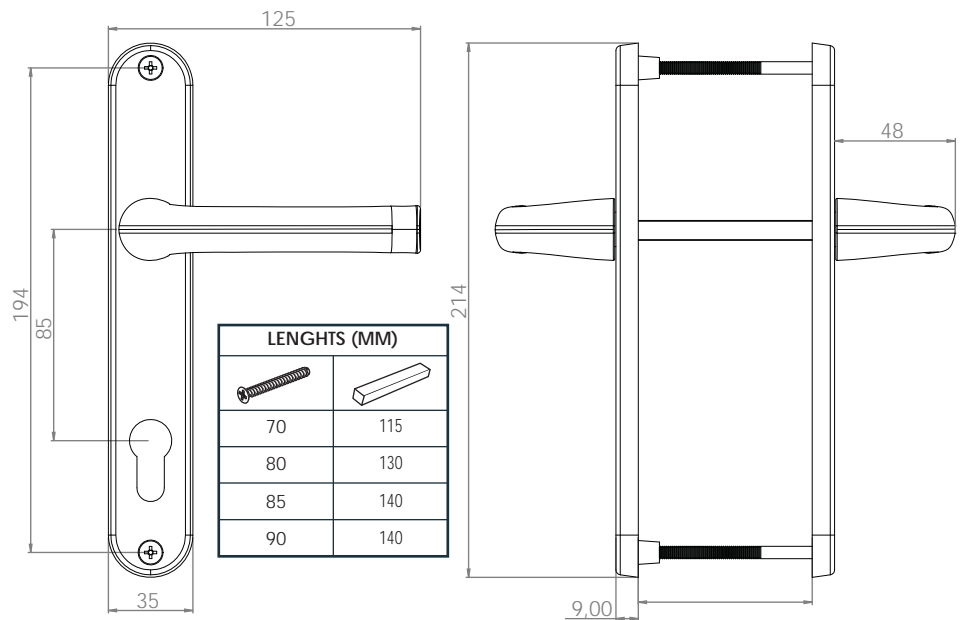
● Mega Aluminium Window Handle



		Qty.	Kg
01.APK010.01.01	2	40	14,22

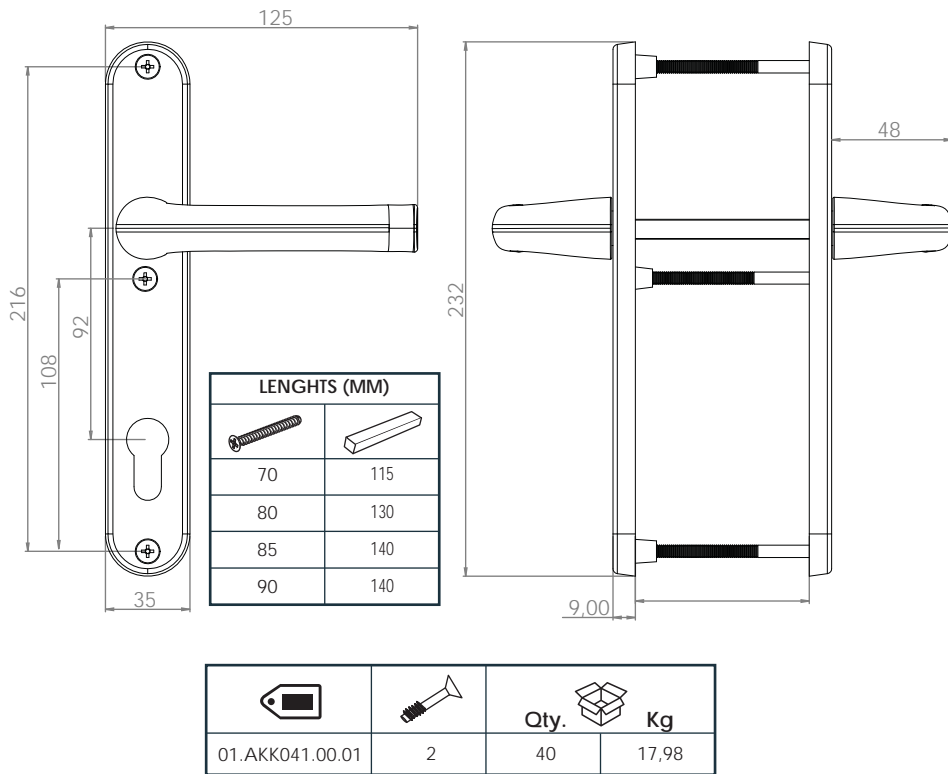


● Mega Aluminium Door Handle PZ: 85 mm Backset: 35 mm

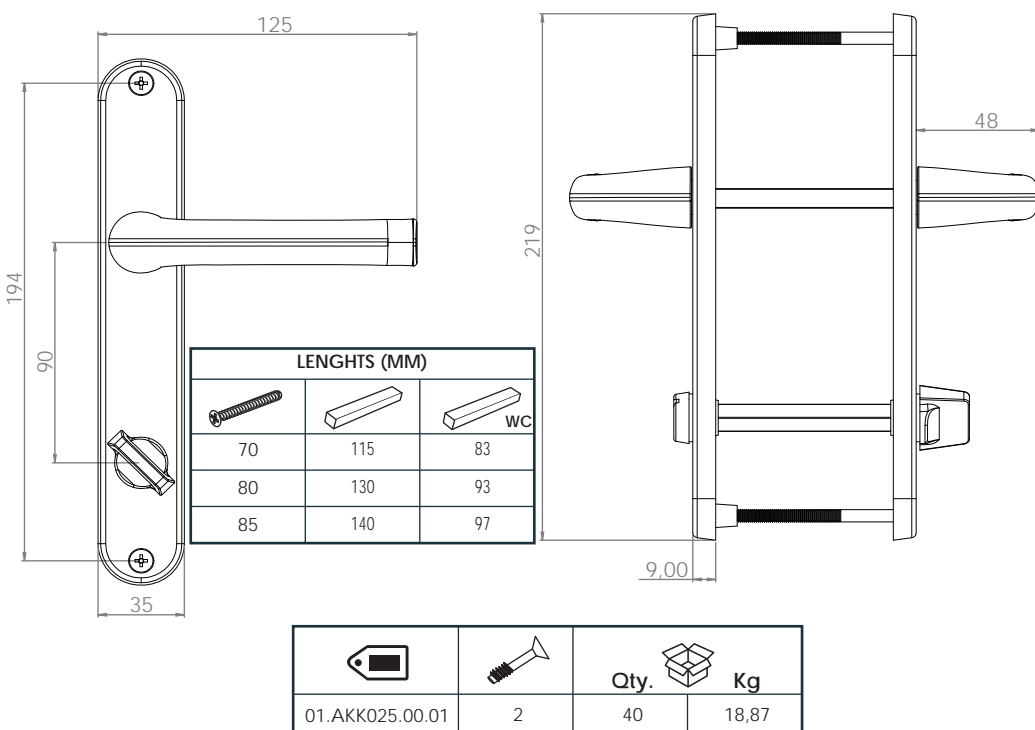


		Qty.	Kg
01.AKK024.00.01	2	40	16,80

Mega Aluminium Door Handle ●
PZ: 92 mm Backset: 35 mm

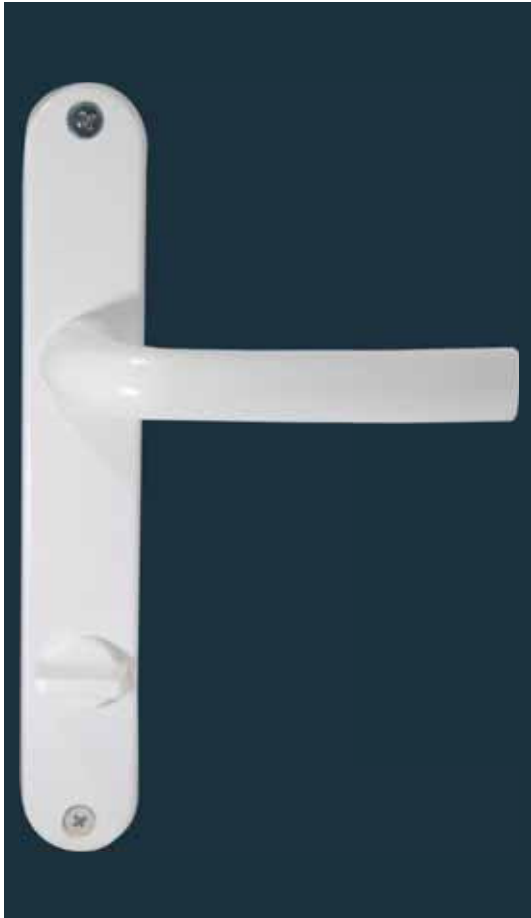


Mega Aluminium WC Handle ●
PZ: 90 mm Backset: 35 mm

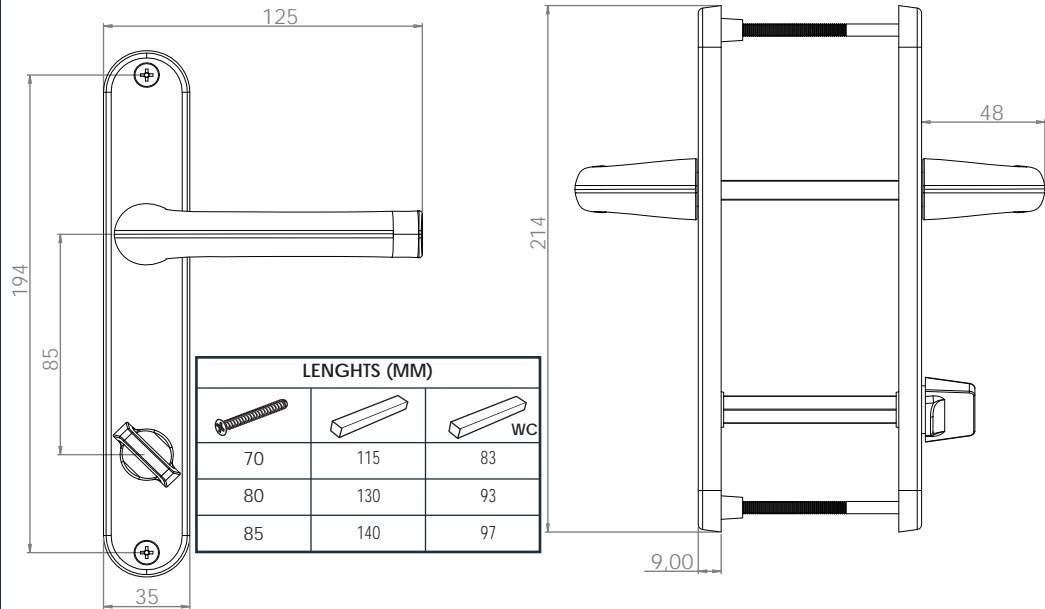


Handles For uPVC

Mega Window And Door Handles



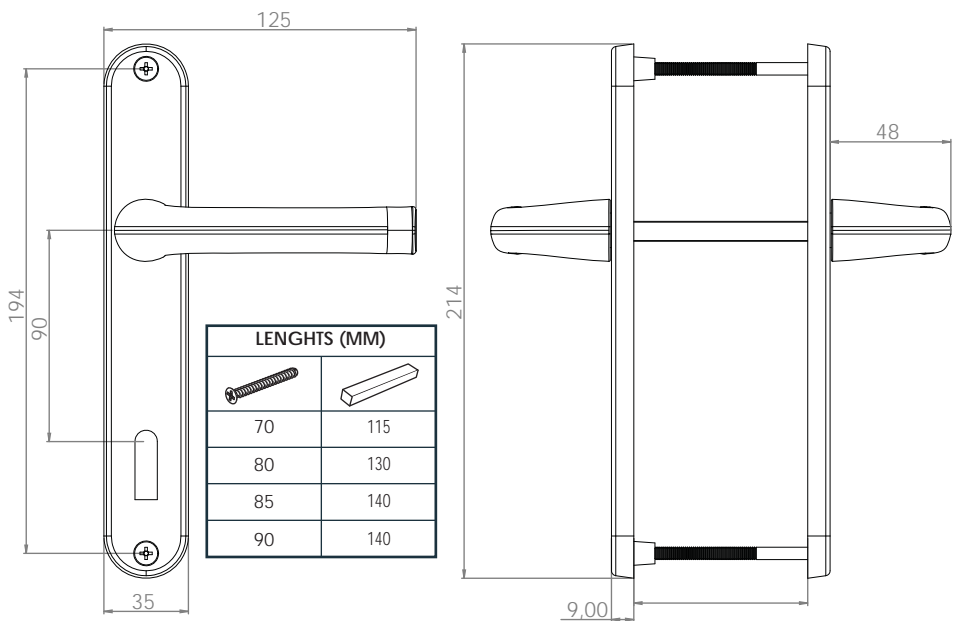
● Mega Aluminium Balcony Handle
PZ: 85 mm Backset: 35 mm



		Qty.	Kg
01.AKK042.00.01	2	40	19,75

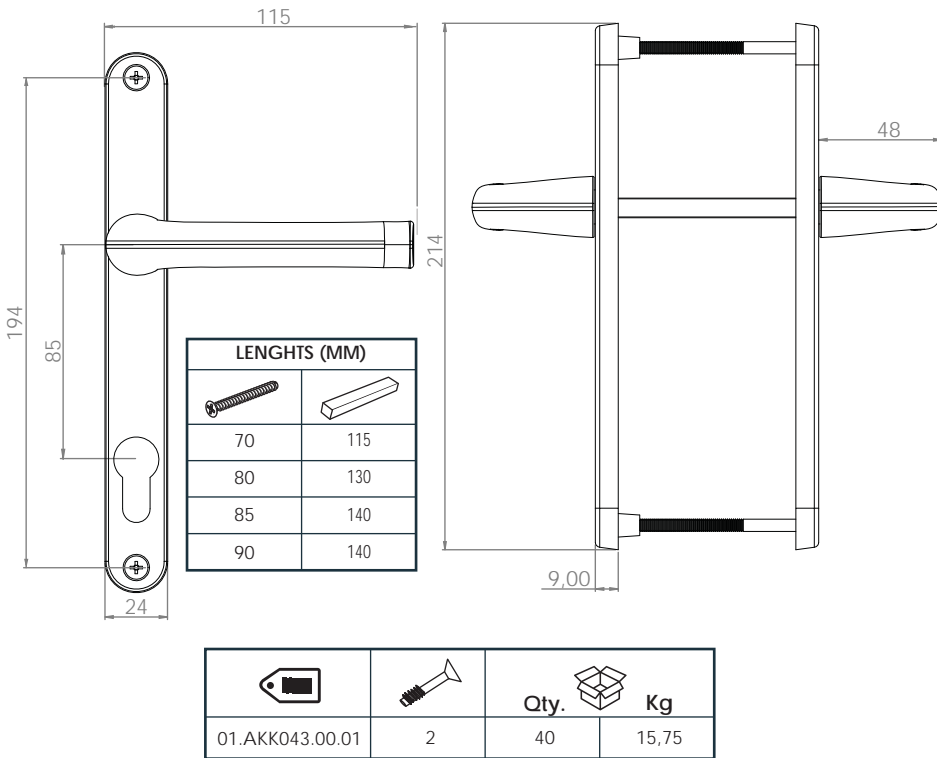


● Mega Aluminium Room Handle
PZ: 90 mm Backset: 35 mm

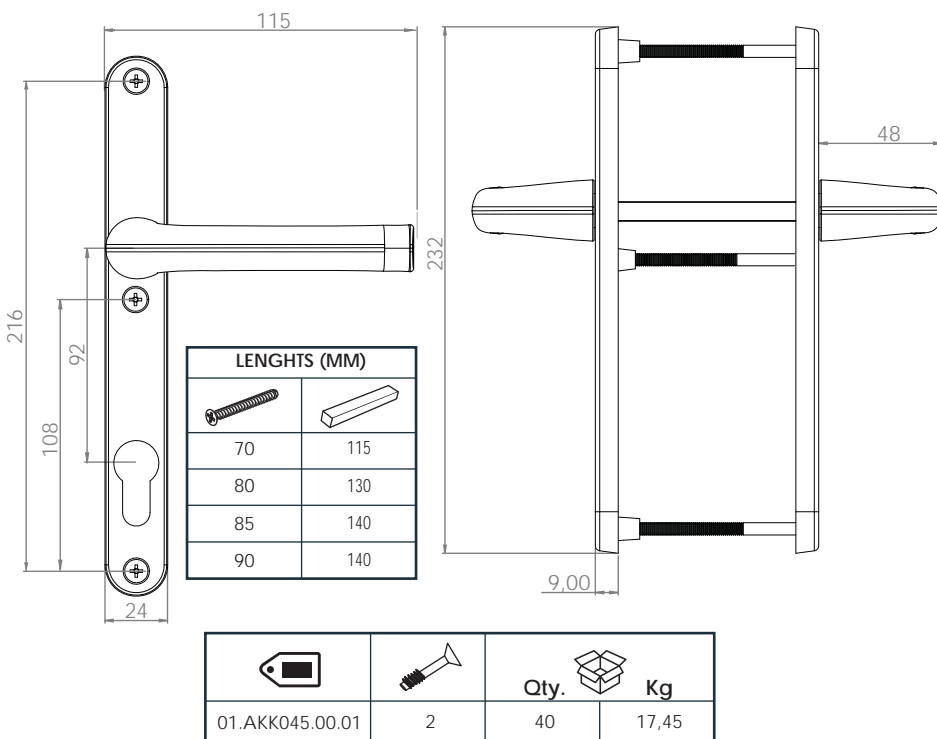


		Qty.	Kg
01.AKK040.00.01	2	40	18,4

Mega Aluminium Door Handle (Without Spring) ●
PZ: 85 mm Backset: 24 mm



Mega Aluminium Door Handle (Without Spring) ●
PZ: 92 mm Backset: 24 mm

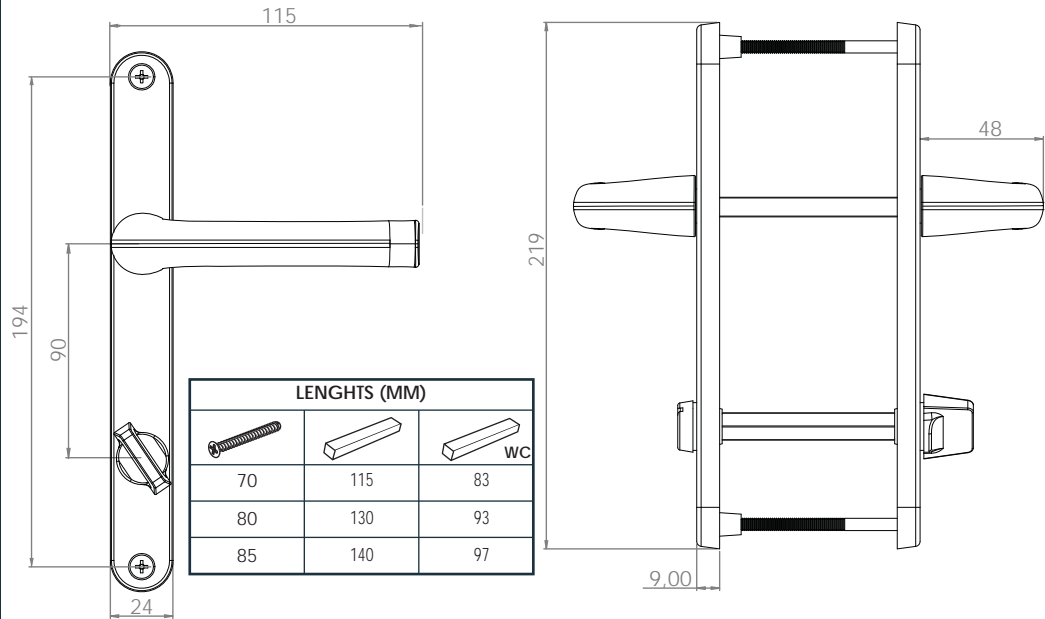


Handles For uPVC

Mega Window And Door Handles



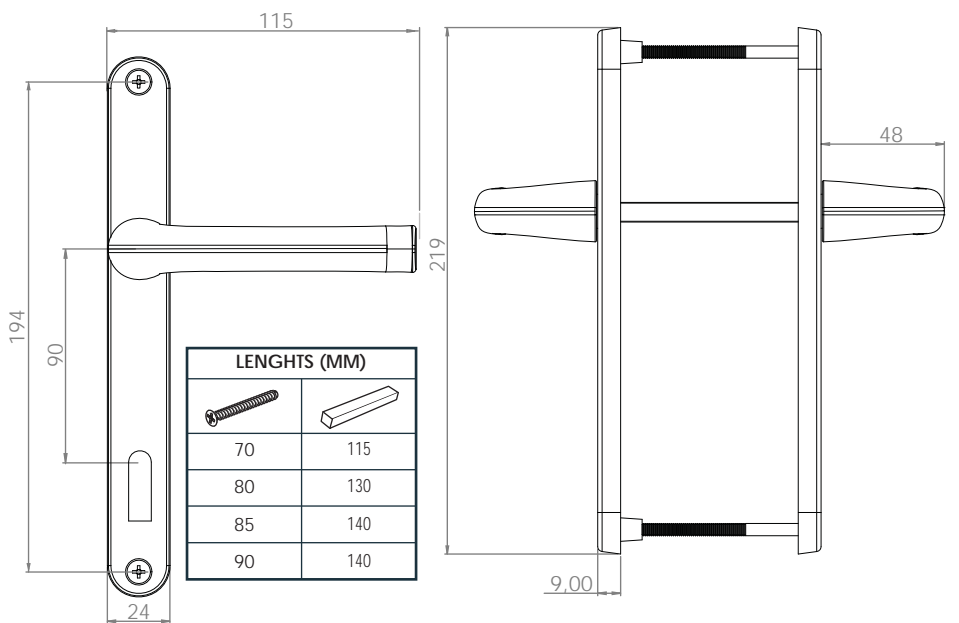
● Mega Aluminium WC Handle (Without Spring)
PZ: 90 mm Backset: 24 mm



		Qty.	Kg
01.AKK044.00.01	2	40	17,45

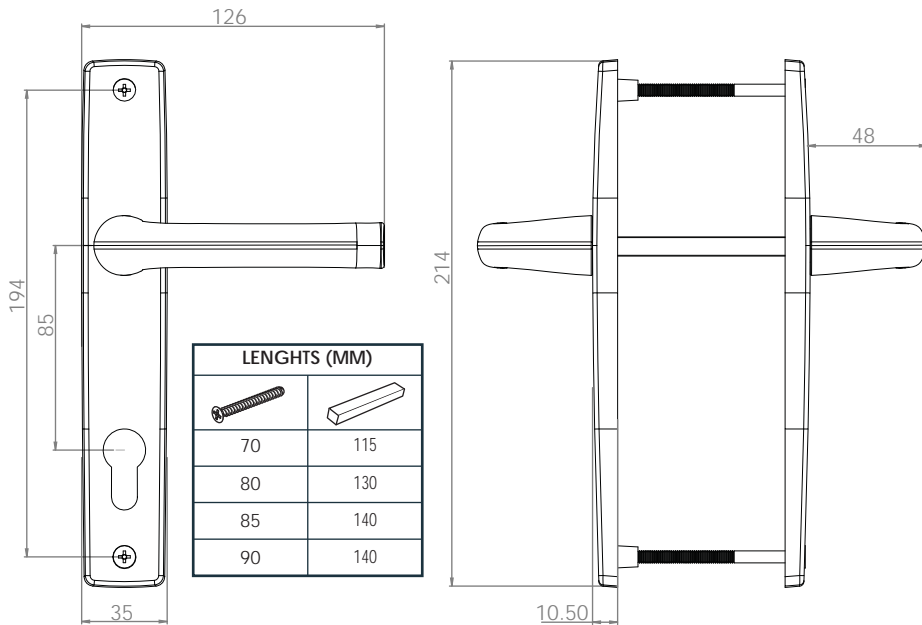


● Mega Aluminium Room Handle (Without Spring)
PZ: 90 mm Backset: 25 mm



		Qty.	Kg
01.AKK046.00.01	2	40	17,40

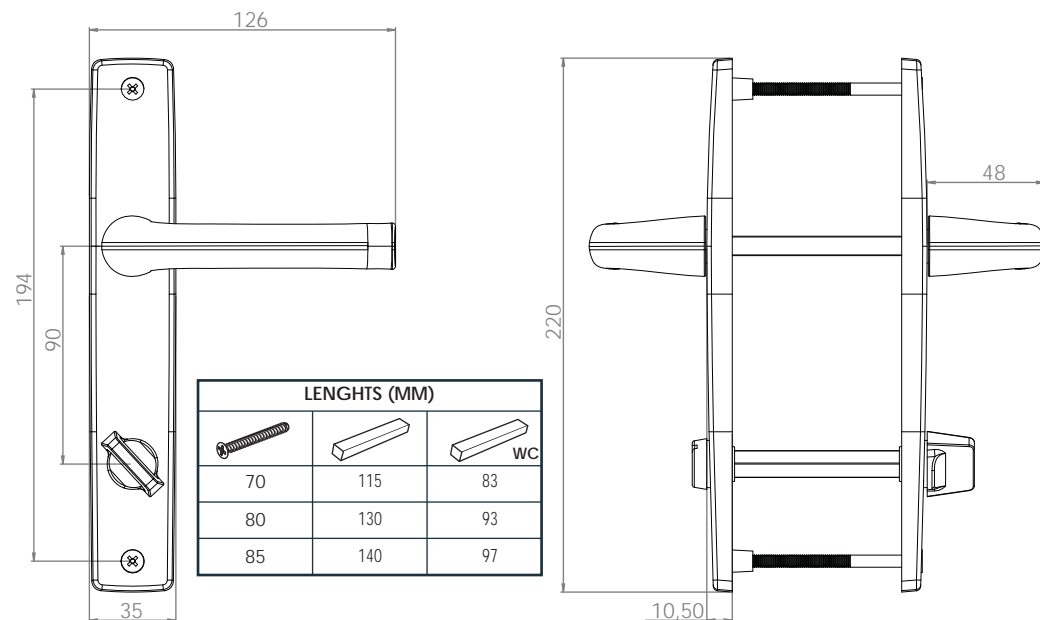
Beyza Aluminium Door Handle ●
PZ: 85 mm Backset: 35 mm



		Qty.	Kg
01.AKK027.00.01	2	40	16,40



Beyza Aluminium WC Handle ●
PZ: 90 mm Backset: 35 mm



		Qty.	Kg
01.AKK028.00.01	2	40	17,29

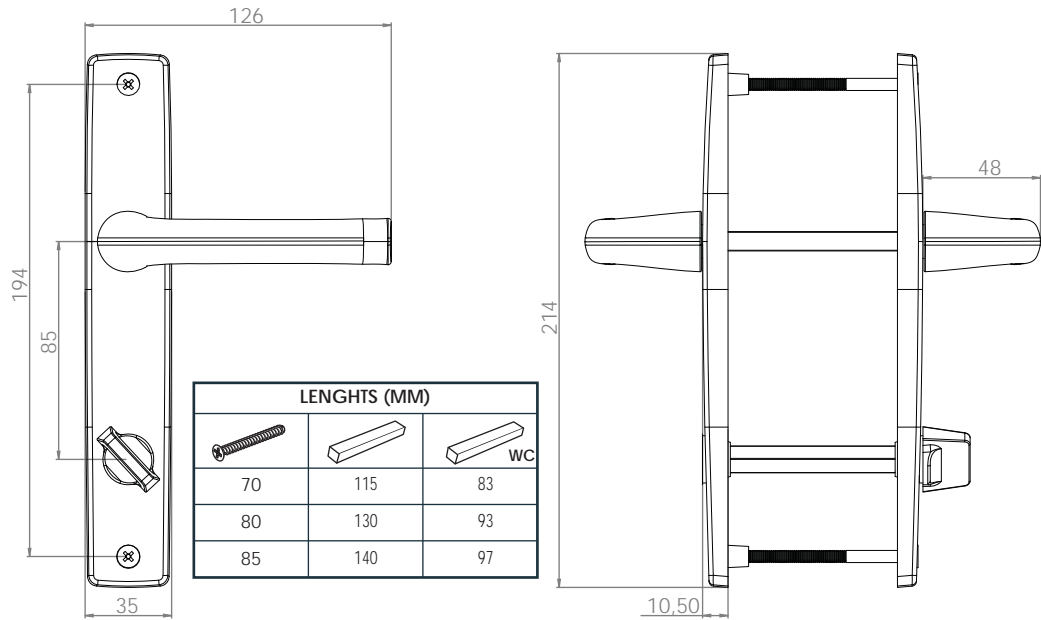


Handles For uPVC

● Beyza Window And Door Handles



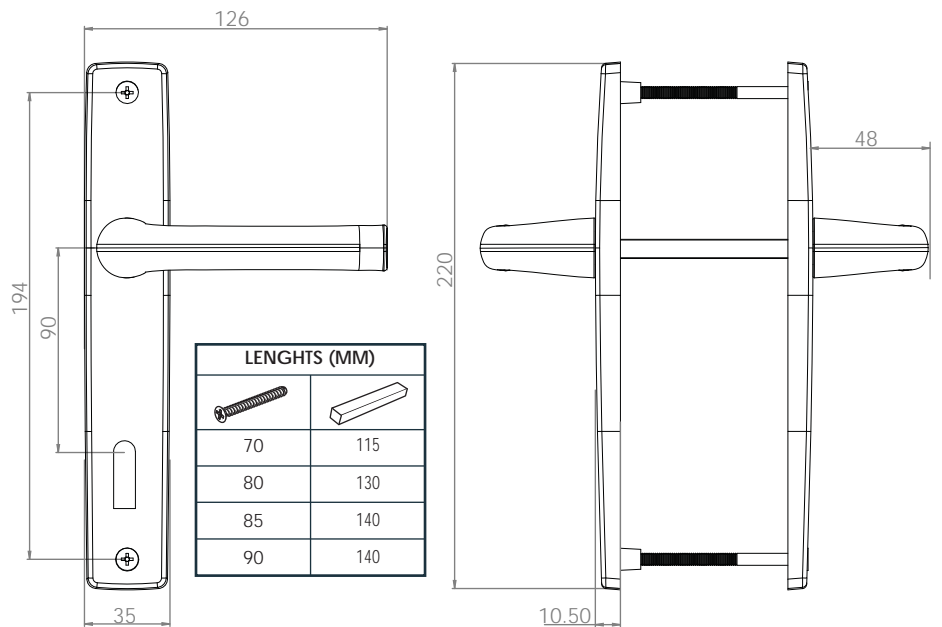
● Beyza Aluminium Balcony Handle
PZ: 85 mm Backset: 35 mm



		Qty.	Kg
01.AKK029.00.01	2	40	19,54



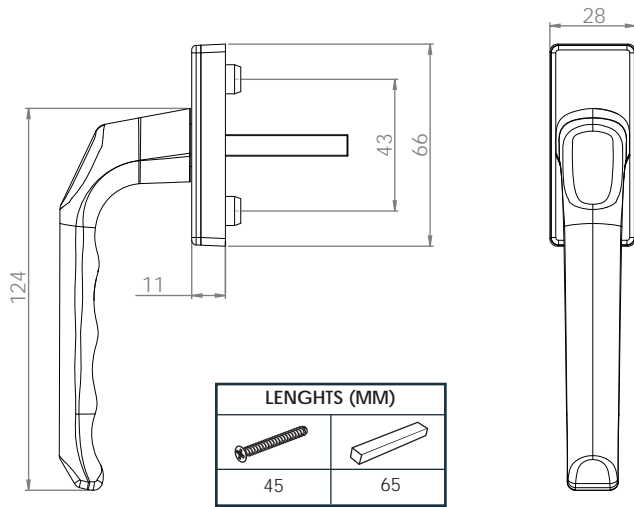
● Beyza Aluminium Room Handle
PZ: 90 mm Backset: 35 mm






		Qty.	Kg
01.AKK030.00.01	2	40	17,80

Pinar Window And Door Handles ●

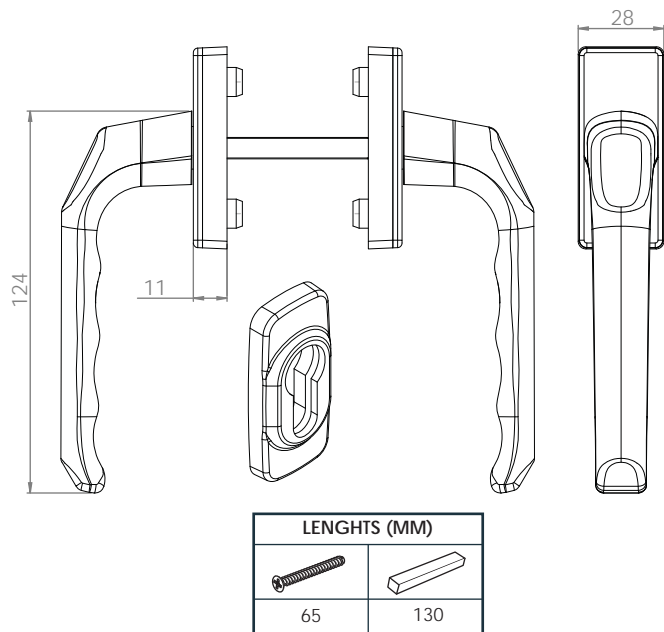
Pinar Aluminium Window Handle ●




		Qty. 	Kg
01.APK005.01.01	2	100	14,59



Pinar Aluminium Door Handle ●



		Qty. 	Kg
01.APK007.01.01	100	40	29,18

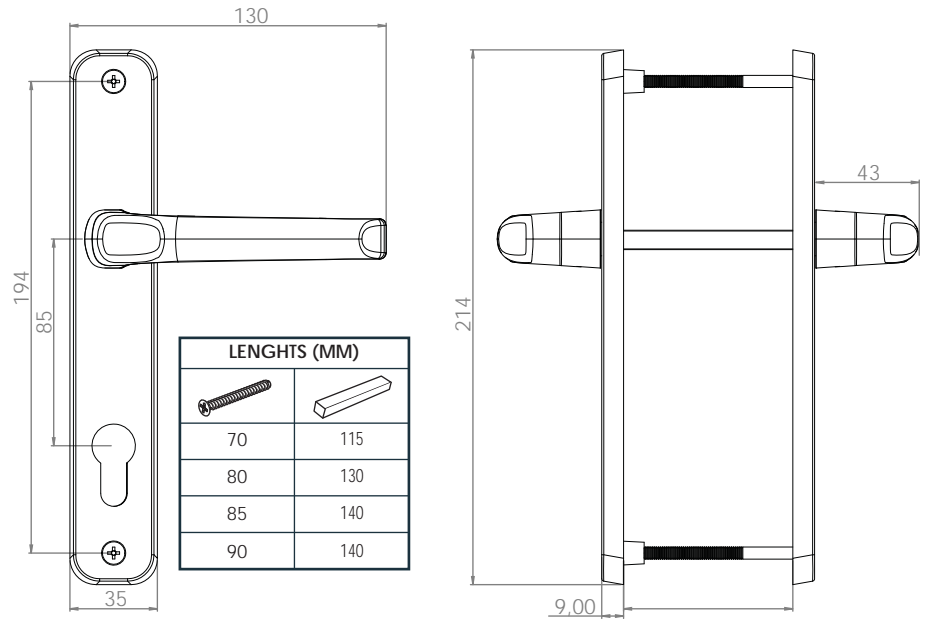


Handles For uPVC

● Pinar Window And Door Handles



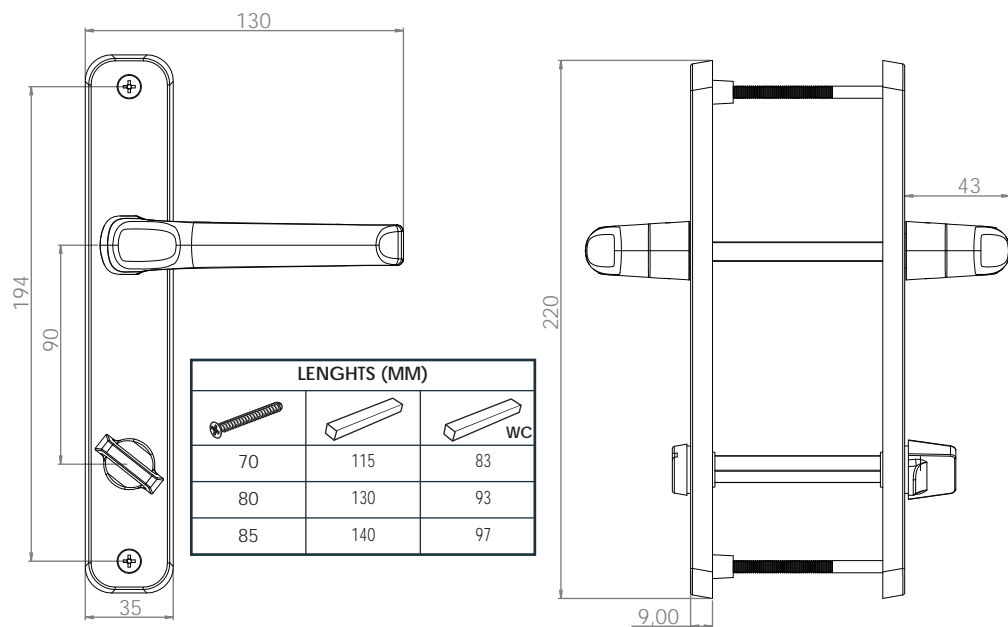
● Pinar Aluminium Door Handle
PZ: 85 mm Backset: 35 mm



		Qty.	Kg
01.AKK051.00.01	2	40	17,80



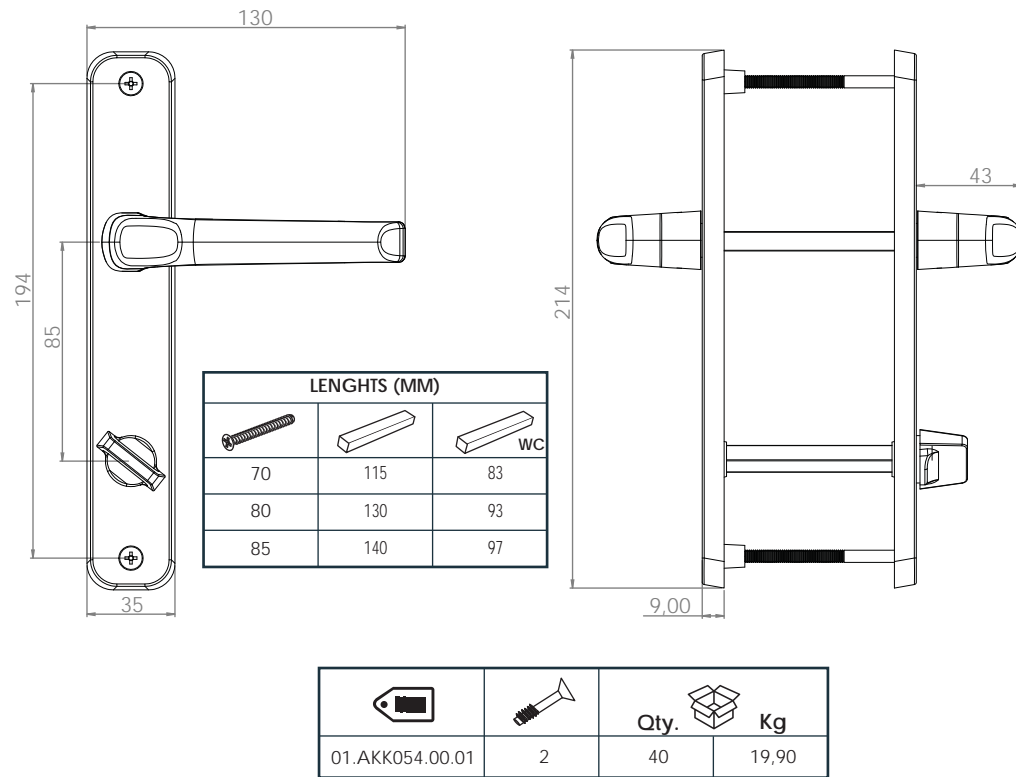
● Pinar Aluminium WC Handle
PZ: 90 mm Backset: 35 mm



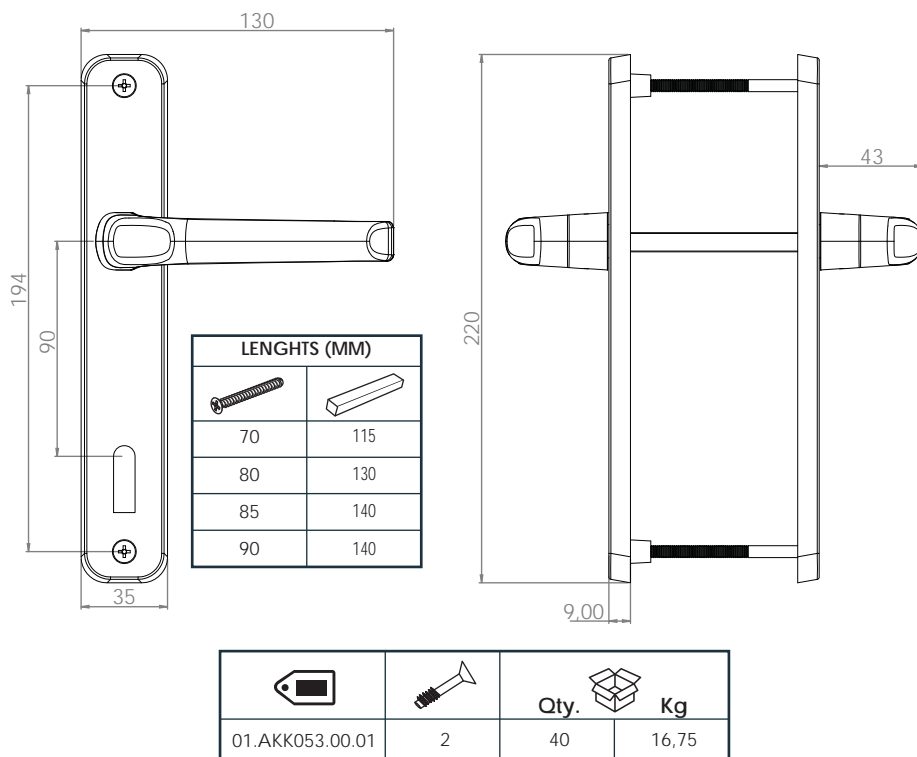
		Qty.	Kg
01.AKK052.00.01	2	40	19,94

Pinar Window And Door Handles

Pinar Aluminium Balcony Handle ●
PZ: 85 mm Backset: 35 mm



Pinar Aluminium Room Handle ●
PZ: 85 mm Backset: 35 mm

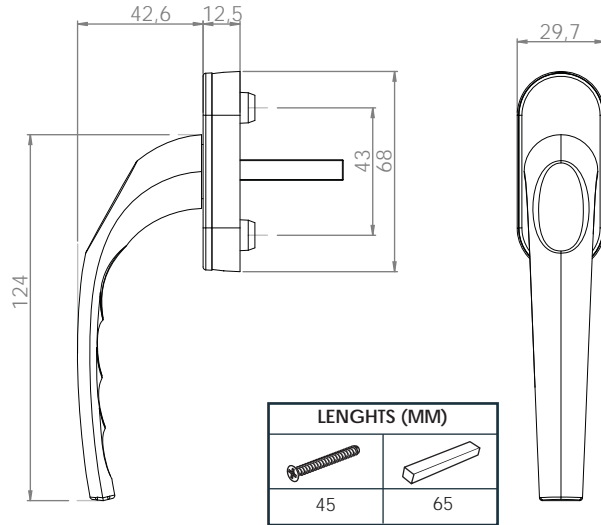


Handles For uPVC

● Bosna Window And Door Handles



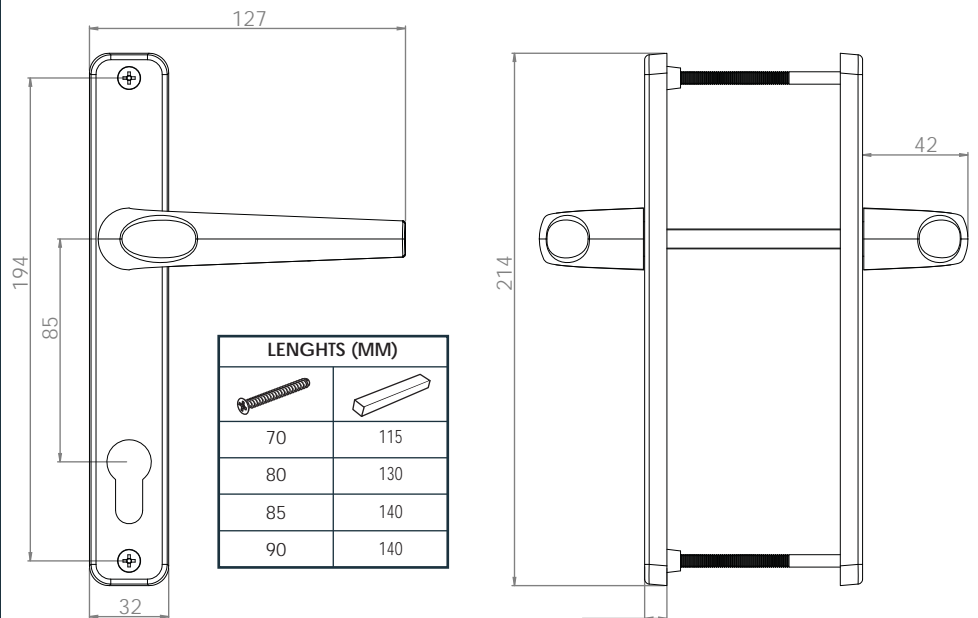
● Bosna Aluminium Window Handle



		Qty.	Kg
01.APK013.01.01	2	100	12,30

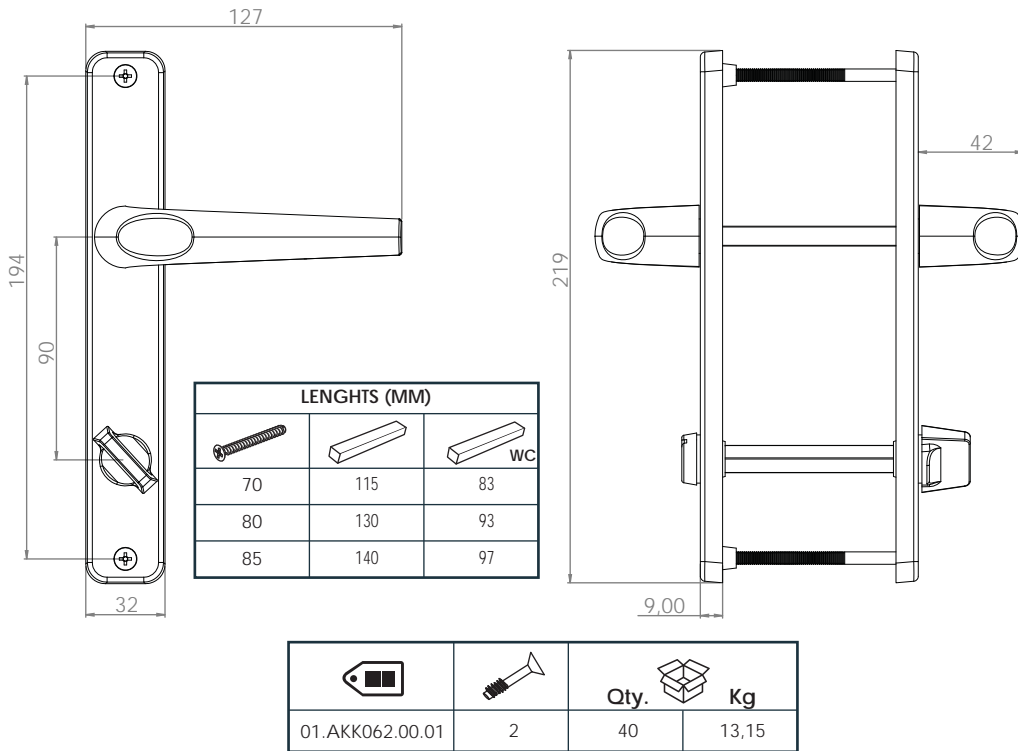


● Bosna Aluminium Door Handle
PZ: 85 mm Backset: 32 mm

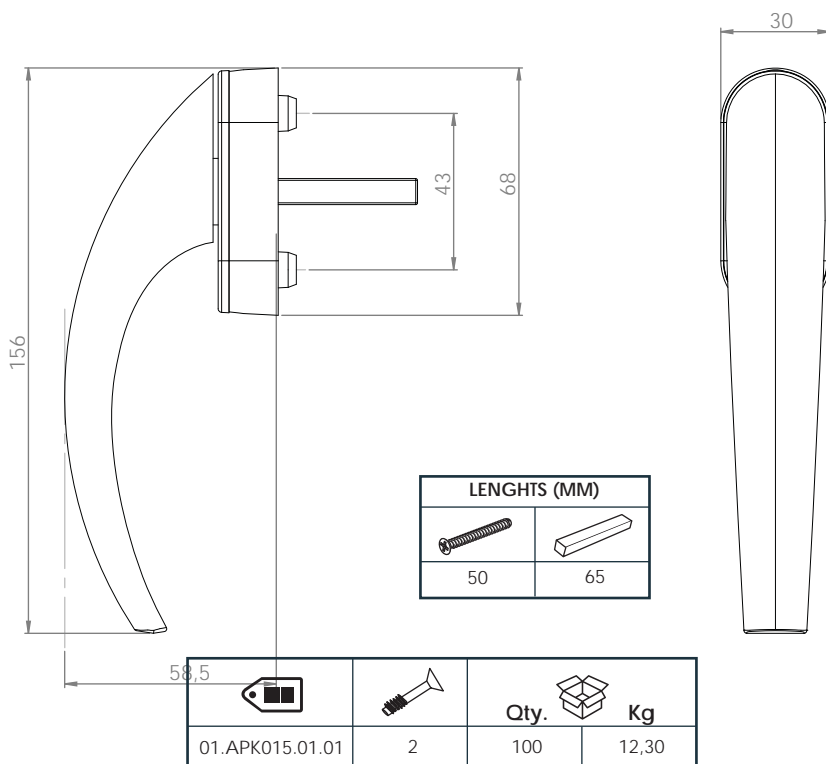


		Qty.	Kg
01.AKK061.00.01	2	40	11,56

Bosna Aluminium WC Handle ●
PZ: 90 mm Backset: 32 mm



Alya Acoustic Window Handles ●

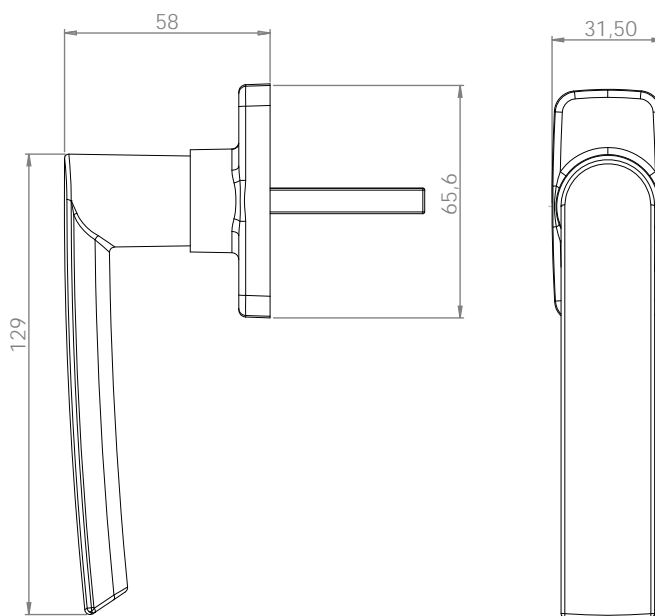



Handles For uPVC

● Italy Window And Door Handles



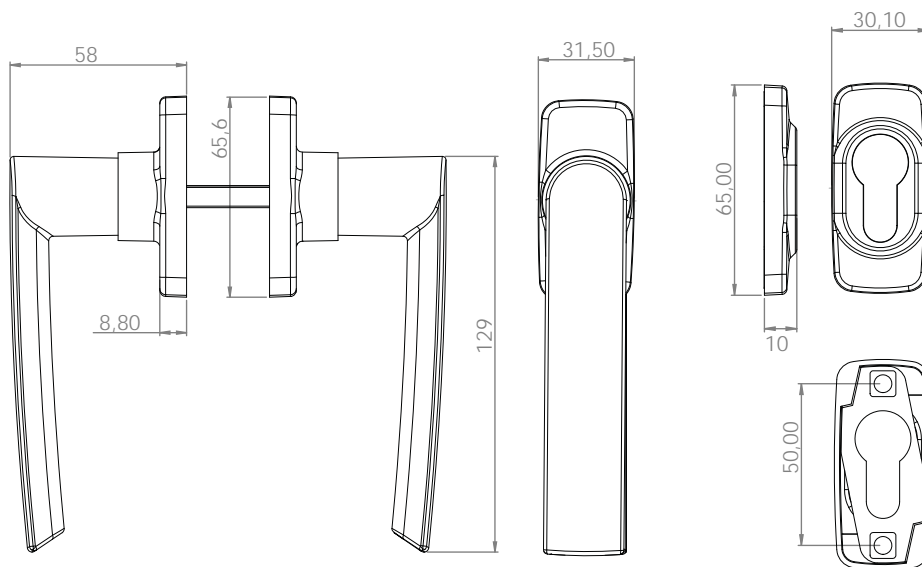
● Italy Aluminium Window Handle






		Qty. 	Kg
01.AAA001.00.01	2	50	14,30



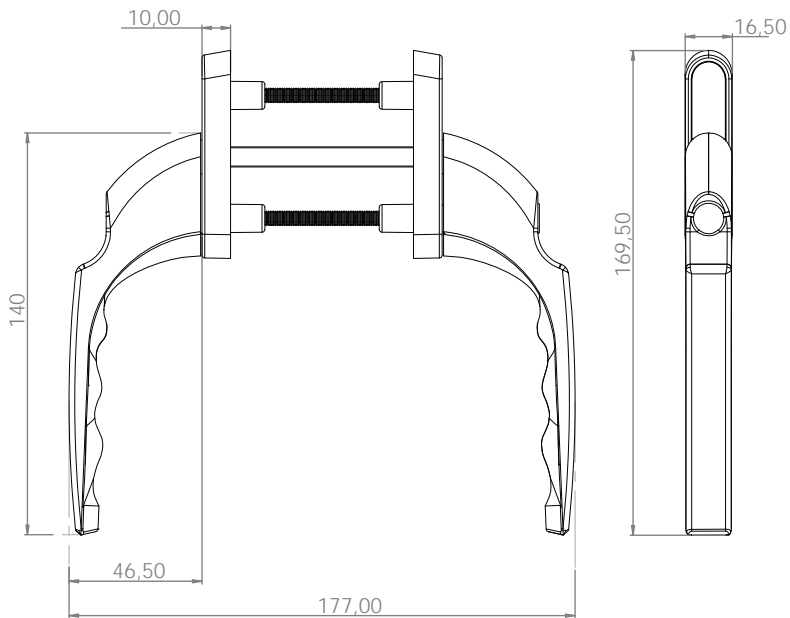
● Italy Aluminium Door Handle



		Qty. 	Kg
01.AAA002.00.01	2	25	16

		Qty. 	Kg
01.AAA010.00.01	2	-	-

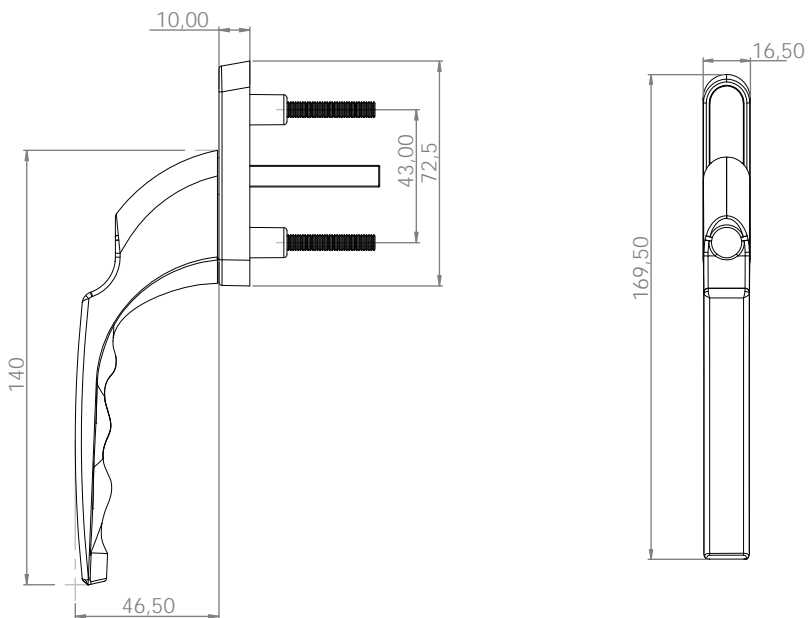
Double Side Outward Opening Handle ●




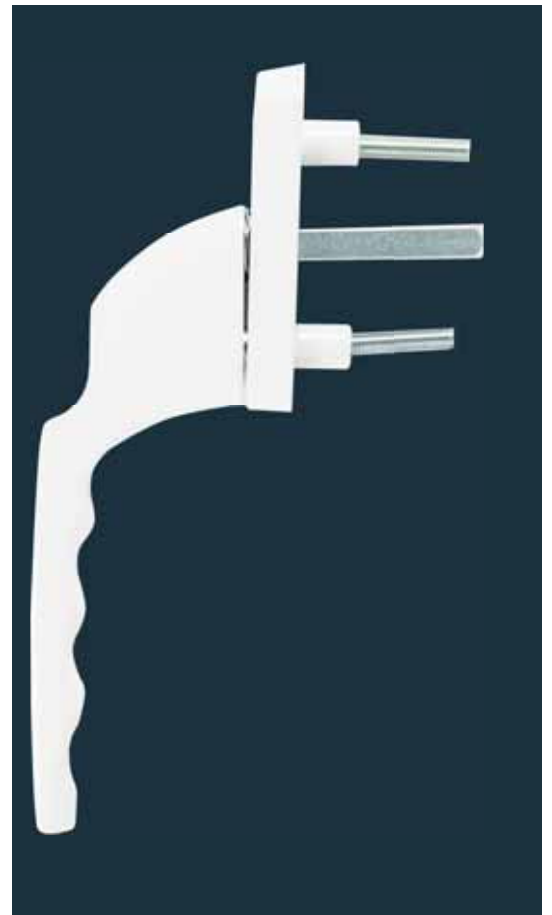
		Qty. 	Kg
01.AAA008.00.01	2	20	5,47



Outward Opening Window Handle ●



		Qty. 	Kg
01.AAA005.00.01	2	40	6

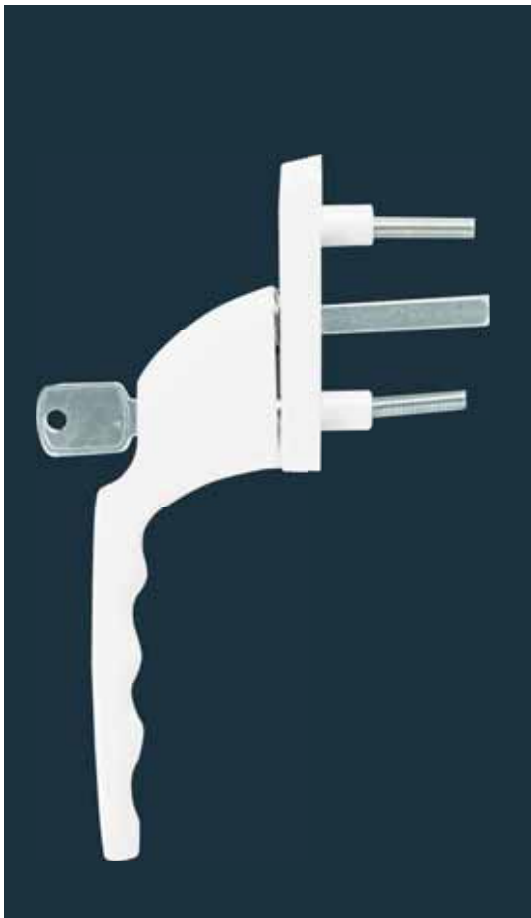
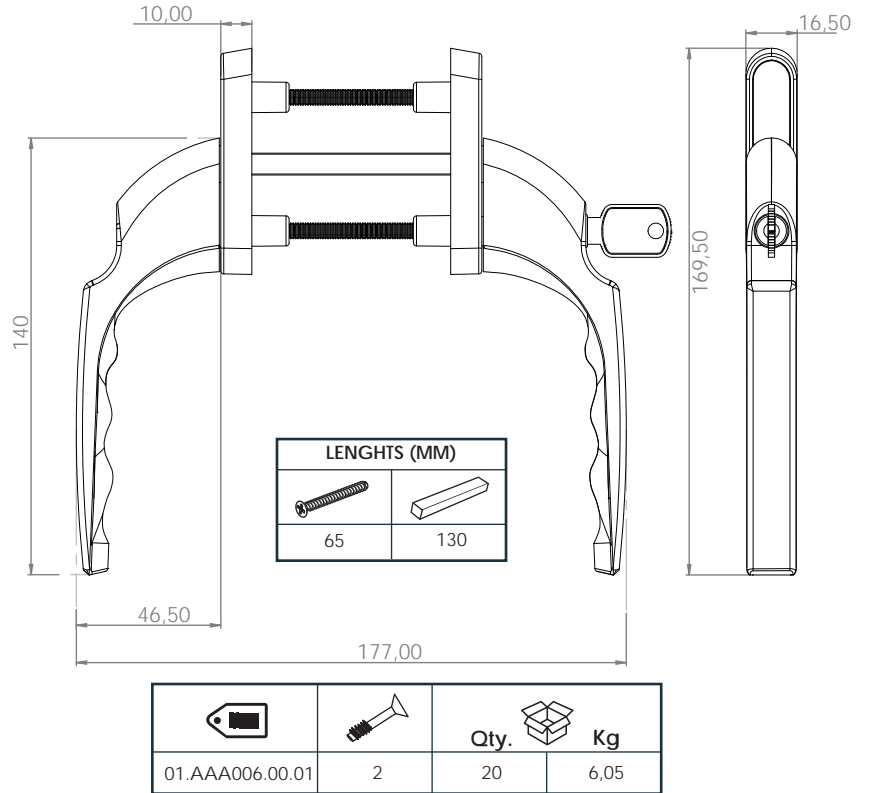


Handles For uPVC

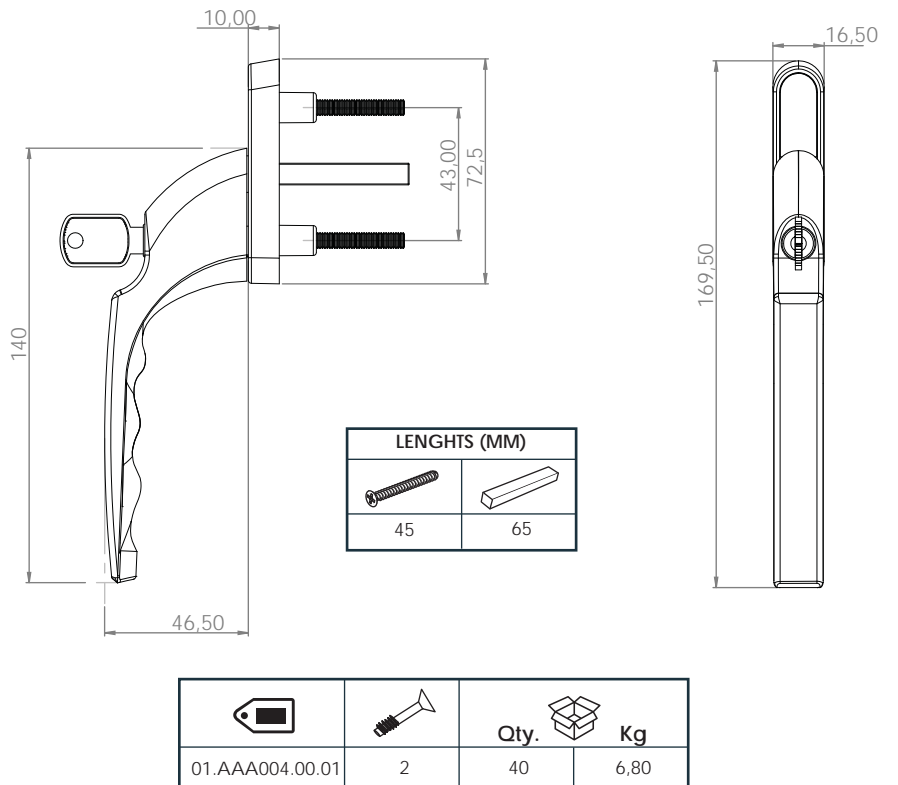
● Outward Opening Handles



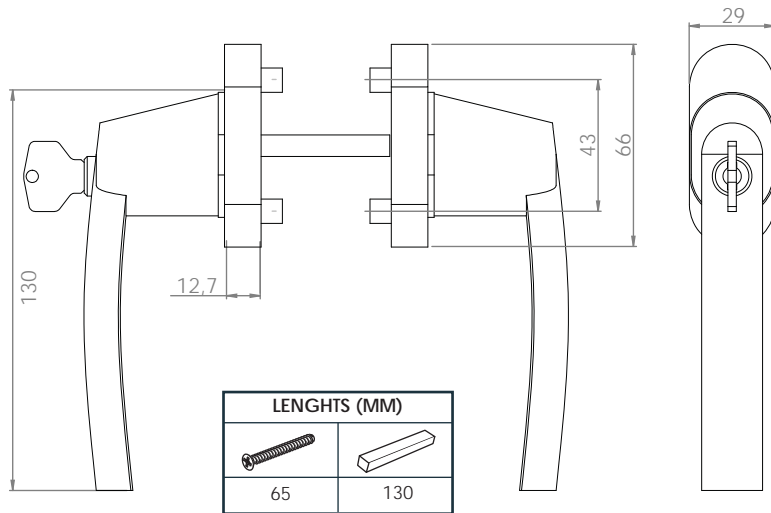
● Lockable Double Side Outward Opening Handle



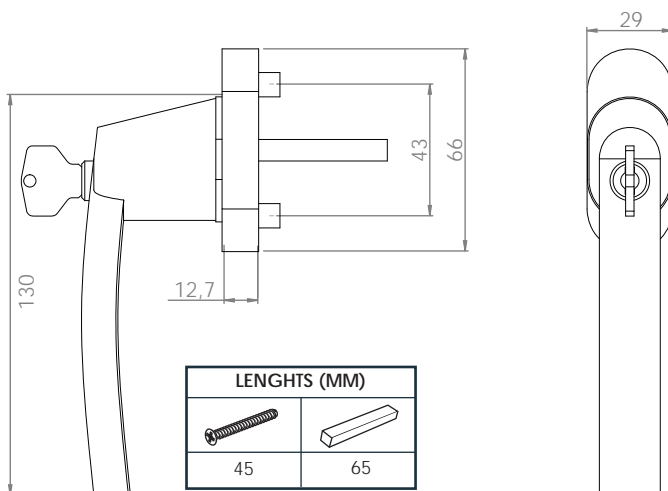
● Lockable Outward Opening Handle



Lockable Double Side Handle (Lux) ●



Lockable Handle (Lux) ●

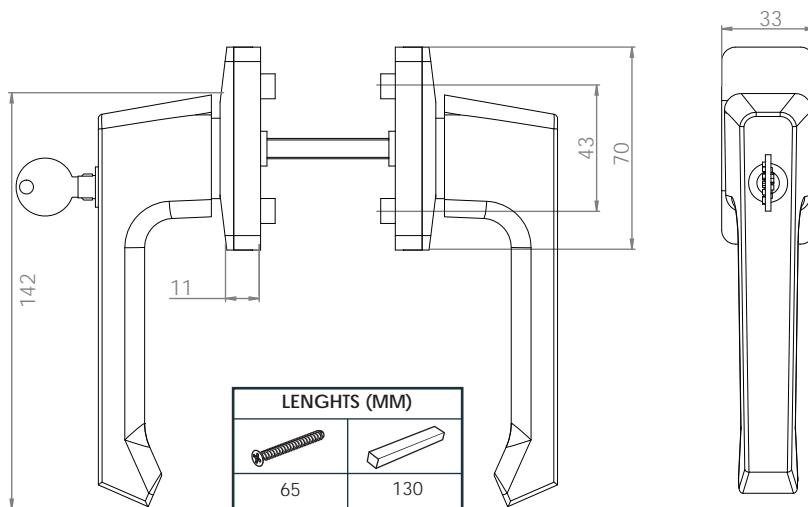


Handles For uPVC

● Lockable Handles



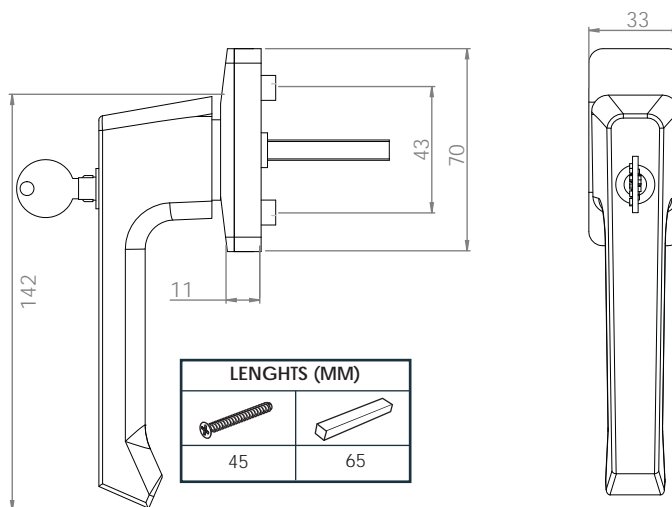
● Lockable Double Side Handle



		Qty.	Kg
01.APK002.00.01	2	30	15,80

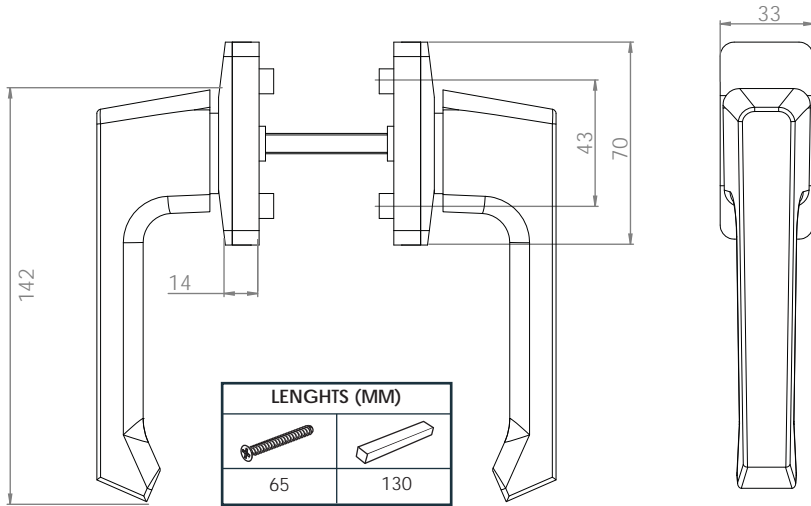


● Lockable Handle



		Qty.	Kg
01.APK001.00.01	2	75	20,30

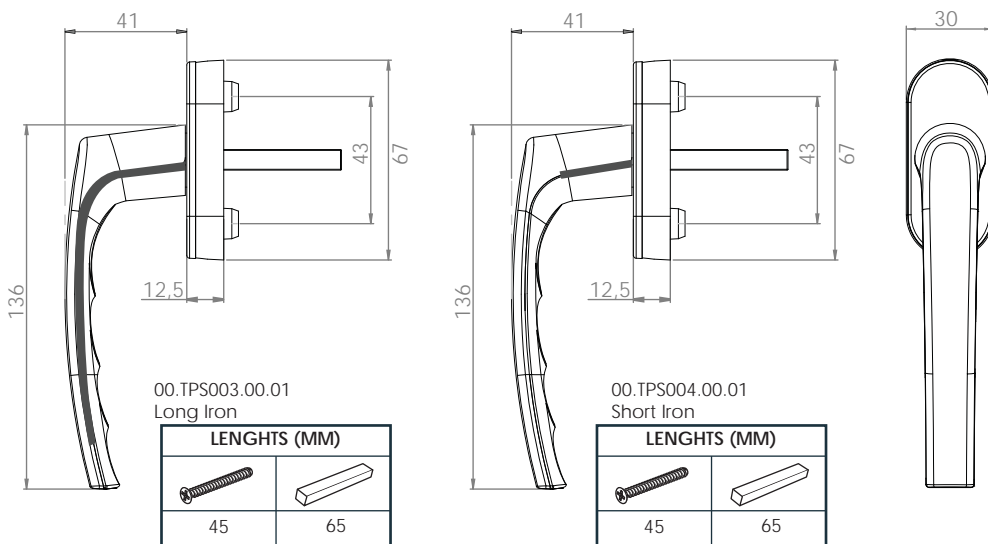
Double Side Handle ●



		Qty.	Kg
01.APK003.00.01	2	30	15,35



Plastic Window Handle ●



		Qty.	Kg
00.TPS003.00.01	2	200	18,40
00.TPS004.00.01	2	200	13,00

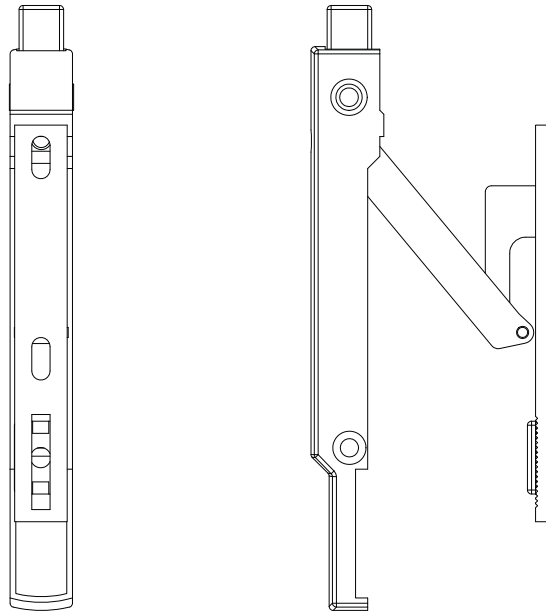




Safety Latches

- Safety Latches



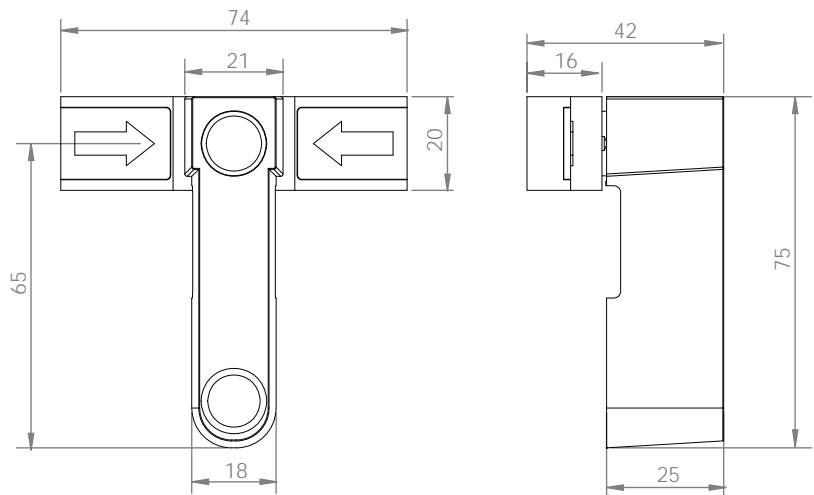
- Safety Ventilation Latch



		Qty. 	Kg
00.EMN006.00.01	5	50	8,40

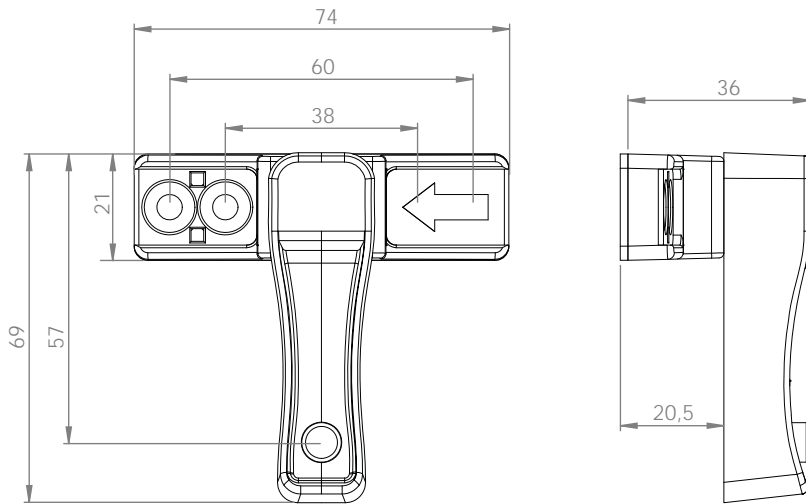




- Safety Latch



		Qty. 	Kg
00.EMN003.00.01	4	50	10

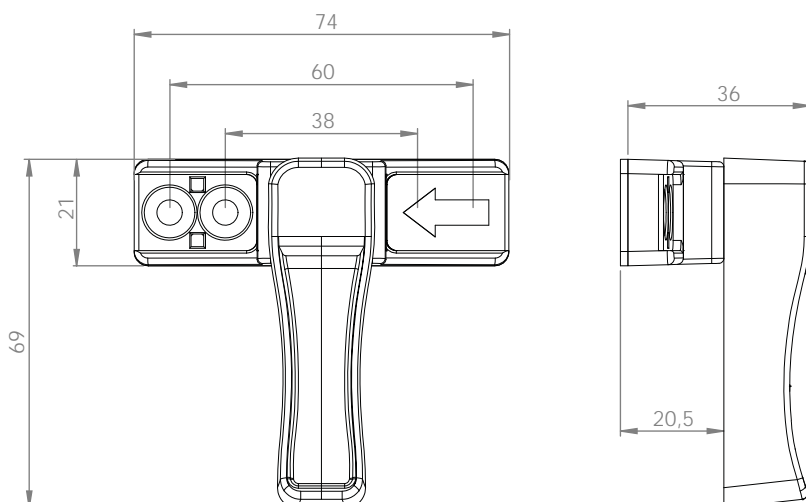
Lockable Safety Latch ●



		Qty. 	Kg
00.EMN004.00.01	4	50	7



Safety Latch ●



		Qty. 	Kg
00.EMN005.00.01	4	50	6,48

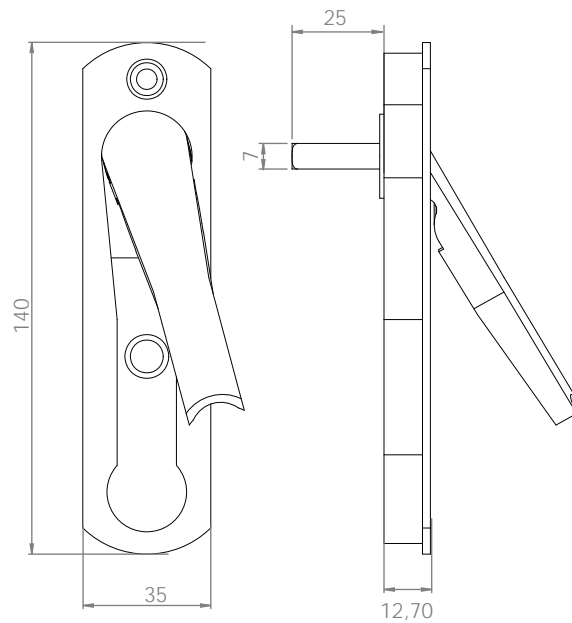





Handles For uPVC

● Pop-Up Handles



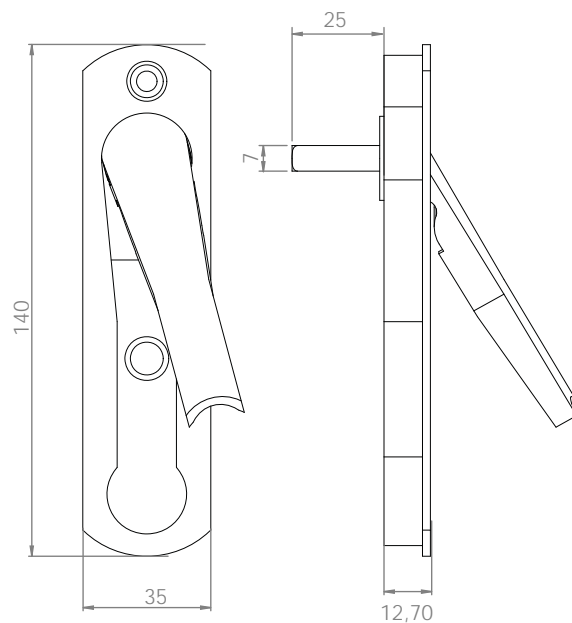
● Pop-Up Handle Steel






		Qty. 	Kg
00.TSA033.00.01	2	50	9,60

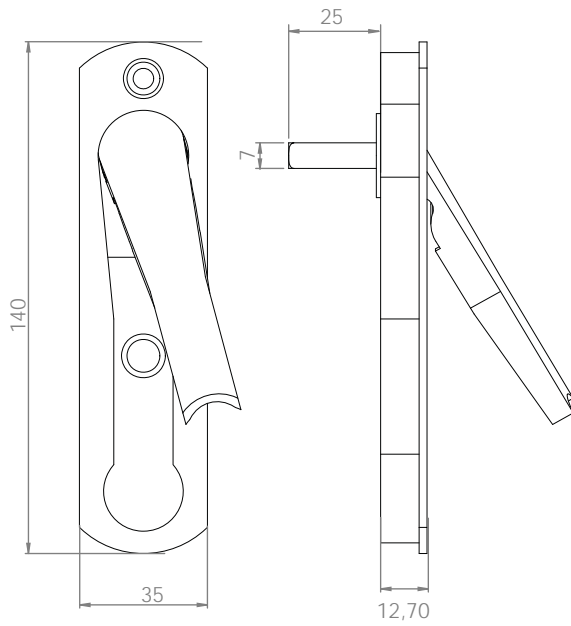





● Pop-Up Handle Zinc



		Qty. 	Kg
00.TSA016.00.00	2	50	9,40

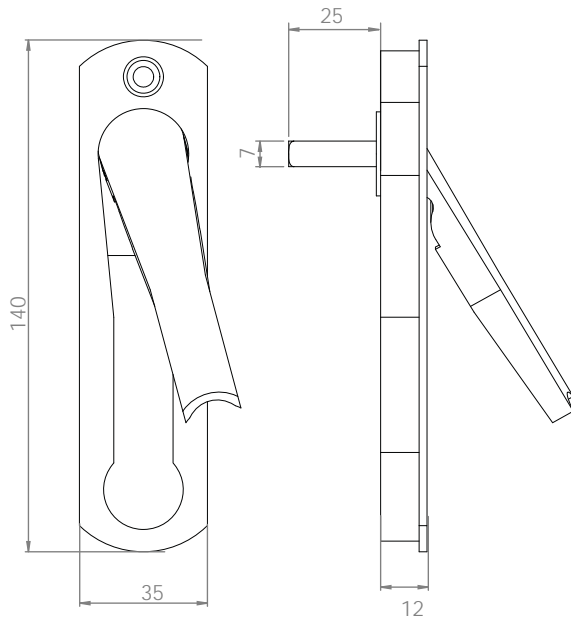
Pop-Up Handle Aluminium ●






		Qty. 	Kg
00.TSA030.00.00	2	50	5,20



Pop-Up Handle Plastic ●



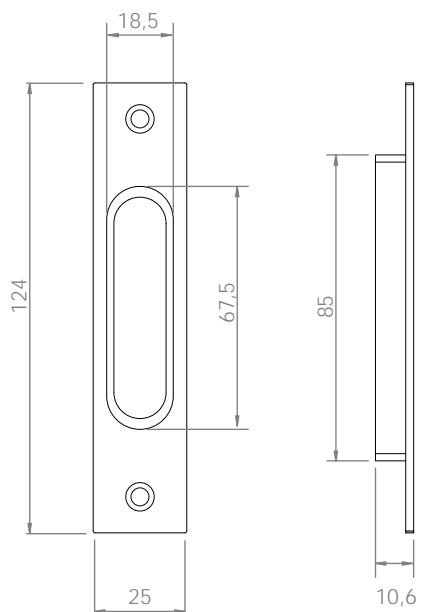
		Qty. 	Kg
00.TSA042.00.00	2	50	-






Other Handles



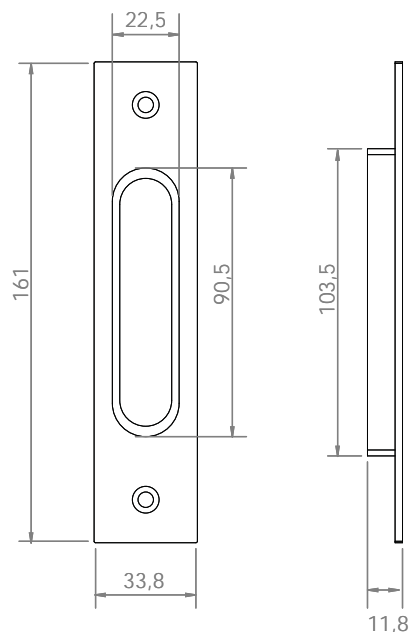
● Sliding Handle (POOL) Inlaid Small






		Qty. 	Kg
00.TSA024.00.00	2	200	6,15

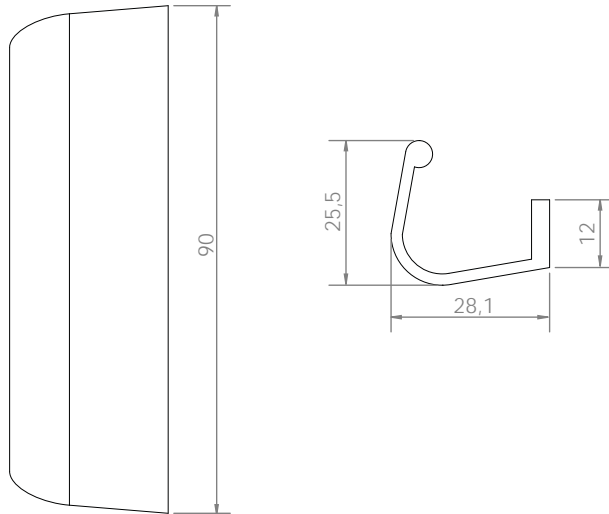





● Sliding Handle (POOL) Inlaid Big



		Qty. 	Kg
00.TSA025.00.00	2	100	6,2

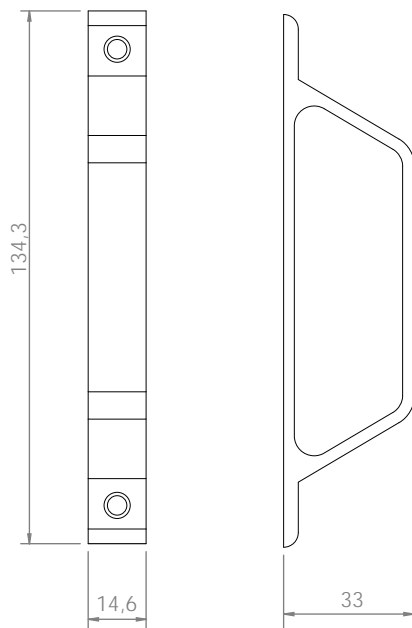
Sliding Handle C Type ●






		Qty. 	Kg
00.TSA013.00.00	2	250	7,65



Sliding Handle D Type ●



		Qty. 	Kg
00.TSA023.00.00	2	250	9,50



Strikers

- Strikers



00.IZK001.00.00
Pakpen



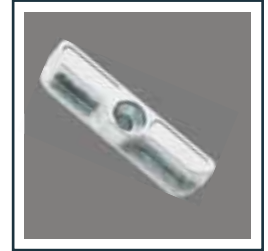
00.IZK002.00.00
Fratpen Single



00.IZK002.00.00 ECO
Fratpen Single Eco



00.IZK003.00.00
Fratpen Double



00.IZK004.00.00
Pimaş 6000



00.IZK004.00.00 ECO
Pimaş 6000 Eco



00.IZK005.00.00
Pimaş 4500



00.IZK005.00.00 ECO
Pimaş 4500 Eco



00.IZK006.00.00
Asaş Pen Window Double



00.IZK007.00.00
Asaş Pen Window Single



00.IZK008.00.00
Asaşpen Door



00.IZK009.00.00
Asaş Pen Eco 5200



00.IZK010.00.00
Asaş Pen 6040



00.IZK011.00.00
Akapen Astra



00.IZK012.00.00
Akapen Vega Double



00.IZK013.00.00
Europen



00.IZK013.00.00
Everest



00.IZK015.00.00
Filpen



00.IZK016.00.00
Kompem Door



00.IZK018.00.00
BR Yıldız



00.IZK020.00.00
Pimaş 6000 Double Hole



00.IZK020.00.00 ECO
Pimaş 6000 Double Hole ECO



00.IZK021.00.00
Pimaş 4500 Double Hole



00.IZK021.00.00 ECO
Pimaş 4500 Double Hole Eco



00.IZK022.00.00
Alfapen Armada



00.IZK023.00.00
Double Sash Striker. ST34



00.IZK024.00.00
Plastline



00.IZK026.00.00
Kompem Termoline



00.IZK029.00.00
Aplas



00.IZK032.00.00
Egepen Max Zendow



00.IZK037.00.00
Pakpen Global



00.IZK040.00.00
Pakpen Global New



00.IZK041.00.00
Aluminium Profile Striker 13Axis



00.IZK042.00.00
Aluminium Profile Striker 9 Axis



00.TSA013.00.00
Metal Sliding Striker
Of Espag. (Universal)



00.TSA014.00.00
Zinc Striker For Opening
Of Espag. (Adopen)



00.TSA020.00.00
Metal Sliding Striker
Of Espag.(Universal)
Plastic



00.TSA032.00.00
Metal Sliding Striker
Of Espag.(Universal)
With Claw



00.TSA035.00.00
Zinc Striker For Opening
Of Espag. (Firatpen) New

Mullion Connectors

- Mullion Connectors



22 MM = 00.SOB130.00.00
 24 MM = 00.SOB129.00.00
 26 MM = 00.SOB128.00.00
 28 MM = 00.SOB127.00.00
 30 MM = 00.SOB126.00.00
 32 MM = 00.SOB125.00.00
 34 MM = 00.SOB117.00.00
 36 MM = 00.SOB118.00.00
 38 MM = 00.SOB120.00.00

Steel Mullion Connectors



00.ZOB114.00.00
 Pakpen Eko 60



00.ZOB115.00.00
 Pakpen 60-70 Integral



00.ZOB001.00.00
 Pimaş General



00.ZOB005.00.00
 Teknoplast Startec



00.ZOB007.00.00
 Taurus Best



00.ZOB009.00.00
 Asaşpen 5200 Eco



00.ZOB010.00.00
 Shönline Linex 60-70



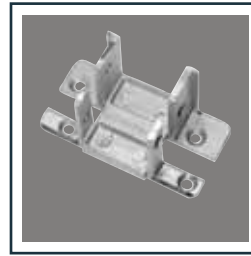
00.ZOB013.00.00
Euroline



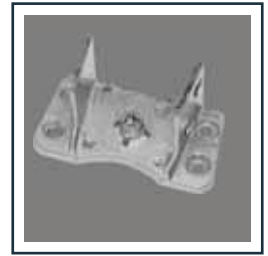
00.ZOB014.00.00
Fratpen 6060



00.ZOB015.00.00
Teraplast 6 Section



00.ZOB016.00.00
Kompen200 Superline



00.ZOB017.00.00
Windoline



00.ZOB020.00.00
Asaşpen 6022



00.ZOB021.00.00
Erpen Smarline 62



00.ZOB022.00.00
Flashpen



00.ZOB023.00.00
Pentech



00.ZOB024.00.00
Taurus Silver



00.ZOB026.00.00
Worldpen



00.ZOB027.00.00
Schönline 6000



00.ZOB028.00.00
Plastline



00.ZOB029.00.00
Fratpen 7060



00.ZOB030.00.00
Vinka 6000



00.ZOB031.00.00
Erpen Extraline 54



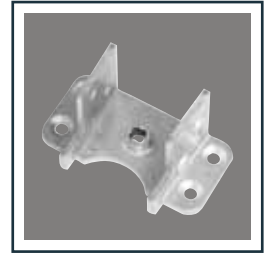
00.ZOB032.00.00
Kompen 600 Termoline



00.ZOB033.00.00
Alfapen Armada



00.ZOB034.00.00
Saraypen Dar



00.ZOB035.00.00
Polipen 603 Dar



00.ZOB036.00.00
Polipen 603 Wide



00.ZOB037.00.00
Vivaplast



00.ZOB038.00.00
Pakpen Global Narrow



00.ZOB039.00.00
Pakpen Global Wide



00.ZOB040.00.00
Proline 6000

Mullion Connectors

● Mullion Connectors



00.ZOB041.00.00
Tecnoplast Megatec



00.ZOB042.00.00
Keban Hazal



00.ZOB043.00.00
Erpen Sembol



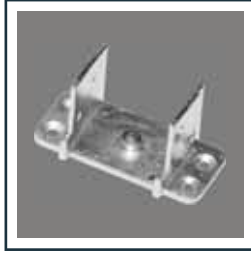
00.ZOB044.00.00
Erpen Trend 62



00.ZOB045.00.00
Europen 7000



00.ZOB046.00.00
Tecnoplast Yeni Supertec



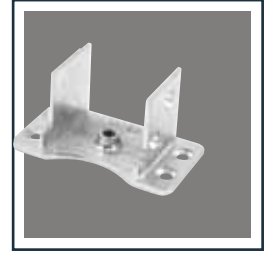
00.ZOB047.00.00
Saraypen Wide



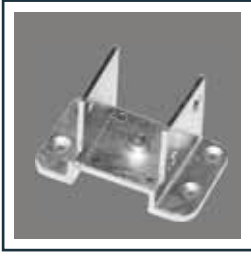
00.ZOB051.00.00
Egepen Zendow



00.ZOB053.00.00
Enderpen Masterline



00.ZOB054.00.00
Enderpen Vizyonline



00.ZOB055.00.00
Erpen Combilline 72



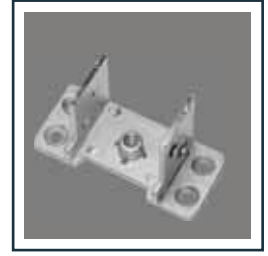
00.ZOB056.00.00
Europen Elit



00.ZOB061.00.00
Natural 6000 Trova



00.ZOB065.00.00
Pensa Bonus



00.ZOB072.00.00
Forza 5200 Eco



00.ZOB075.00.00
Firatpen 7060 Eco



00.ZOB076.00.00
Egepen Max



00.ZOB077.00.00
Artwin



00.ZOB078.00.00
Winapex 6004



00.ZOB079.00.00
Uniplast 6000-7000



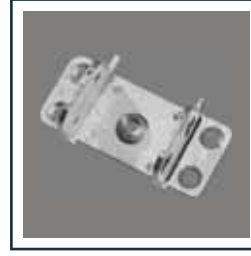
00.ZOB081.00.00
Uniplast Ecolim



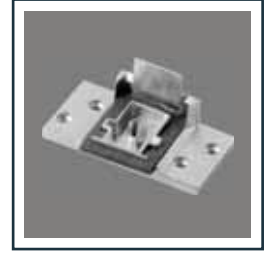
00.ZOB082.00.00
Karpen



00.ZOB083.00.00
Pakpen Rival



00.ZOB085.00.00
WinTurk



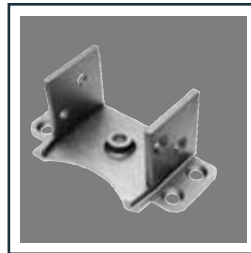
00.ZOB086.00.00
Vivaplast



00.ZOB087.00.00
Aplas



00.ZOB088.00.00
Aplas 7000



00.ZOB089.00.00
Teraplast 4 Section



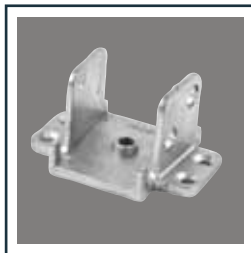
00.ZOB090.00.00
Pakpen Ideal



00.ZOB091.00.00
Firat 7000 Eco New



00.ZOB092.00.00
Propen 6000



00.ZOB093.00.00
Pakpen Royal



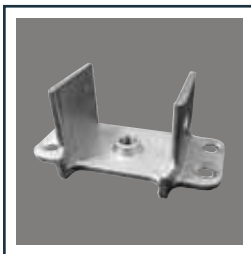
00.ZOB094.00.00
Erpen Trend Eco



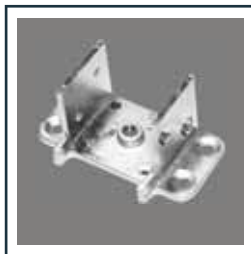
00.ZOB095.00.00
Eurofasad



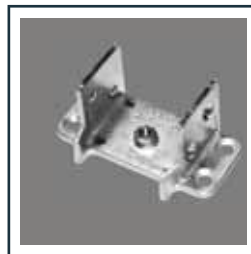
00.ZOB096.00.00
Europen 7000 Eco



00.ZOB097.00.00
Worldpen 6000 Eco



00.ZOB098.00.00
Pentech Eco



00.ZOB099.00.00
Alfapen Armada Eco



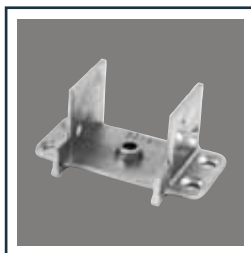
00.ZOB100.00.00
Erpen Smartline Eco



00.ZOB101.00.00
Propen 7000



00.ZOB102.00.00
Eurotech Eco Narrow



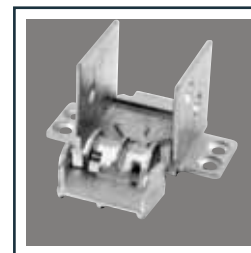
00.ZOB103.00.00
Enderpen Clascompact



00.ZOB104.00.00
Pakpen Optimal



00.ZOB105.00.00
Slide Flyscreen



00.ZOB106.00.00
Teraplast 7 Section



00.ZOB107.00.00
New Firat 6070



00.ZOB109.00.00
Firat S75 / Garnet 70



00.ZOB111.00.00
Firat Selenit



00.ZOB111.00.00 ECO
Firat S 75 Selenit



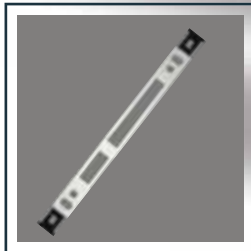
00.ZOB112.00.00
Asapen 6040

Locking Plates

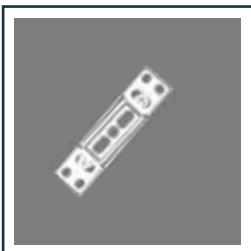
- Locking Plates



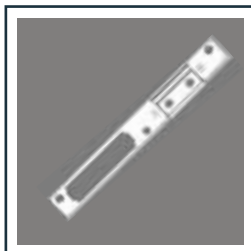
00.TKK001.00.00
Universal Adjustable Latch
And Deadbolt Plate
Zinc



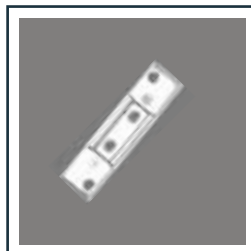
01.AAA021.00.00
Adjustable Latch & Deadbolt
Plate For Euro Groove
Aluminium Profiles



00.TKK002.00.00
Adjustable Latch Plate
Zinc



00.TKK010.00.00
Adjustable Latch And
Deadbolt Plate
Iron Sheet



00.TKK009.00.00
Adjustable Latch Plate
Iron Sheet



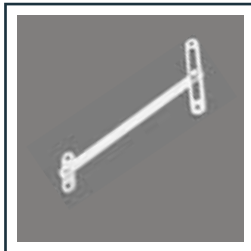
00.TKK011.00.00
Universal Adjustable Latch
And Deadbolt Plate
Iron Sheet / Plastic Body



00.TKK012.00.00
Universal Adjustable Latch
And Deadbolt Plate
Zinc / Plastic Body



00.VVV005.00.01
Transom Scissors 13cm
Iron Sheet



00.VVV006.00.01
Transom Scissors 22cm
Iron Sheet



00.VVV003.00.01
Transom Locked
Aluminium



00.PLS021.00.01
Adjustable Transom Lock
Plastic



00.VVV007.00.00
Transom Scissors
Steel



00.VVV0087.00.00
Folding Transom Scissors 13cm
Steel



00.VVV004.00.00
Balcony Door Fastener



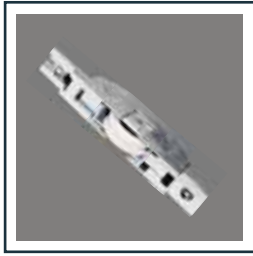
00.VVV009.00.00
Balcony Door Fastener
Plastic Body
9 Axis



00.VVV010.00.00
Balcony Door Fastener
Plastic Body
13 Axis

Sliding Accessories

● Sliding Accessories



00.TSA001.00.00
Sliding Roller
Big
Polyamide



00.TSA008.00.00
Sliding Roller
Big
Brass



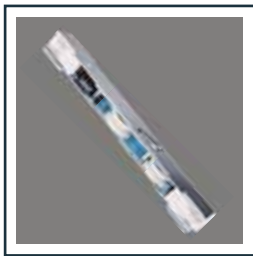
00.TSA003.00.00 Pimaş
Sliding Roller



00.TSA038.00.00 Egepen
Sliding Roller
Double Wheels Polyamide
Polyamide



00.TSA006.00.00
Sliding Roller
Small Single Wheel Brass



00.TSA002.00.00
Sliding Roller
Double Wheels Polyamide
Iron Sheet



00.TSA019.00.00
Sliding Roller
Double Wheels
Iron Sheet



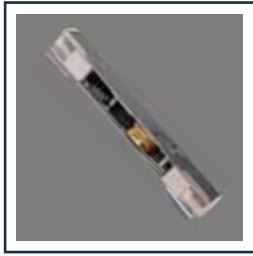
00.TSA028.00.00
Sliding Roller
Double Wheels Brass Import
Iron Sheet



00.TSA017.00.00
Sliding Roller
Single Wheels Polyamide
Iron Sheet



00.TSA018.00.00
Sliding Roller
Single Wheels
Iron Sheet



00.TSA029.00.00
Sliding Roller
Single Wheels Brass Import
Iron Sheet



00.TSA026.00.00
Sliding Roller
Adjustable Double Wheels



00.TSA034.00.00
Sliding Roller
Adjustable Single Wheels



00.TSA037.00.00
Double Door Sliding
Left-Right
Iron Sheet



00.TSA039.00.00
Double Window Sliding
Up - Down
Plastic Body



00.TSA009.00.00
Double Door Sliding
Up - Down
Iron Sheet



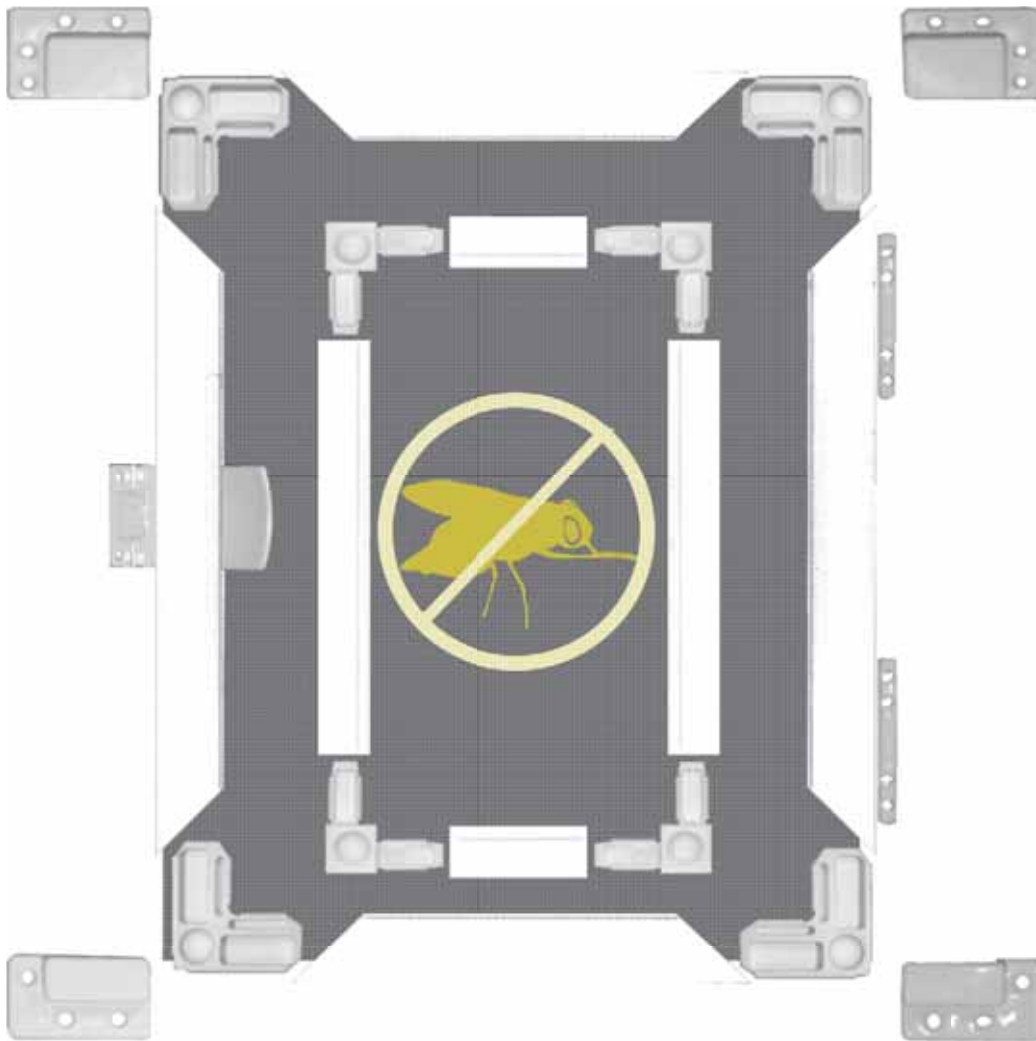
00.TSA010.00.00
Double Window Sliding
Up - Down
Iron Sheet



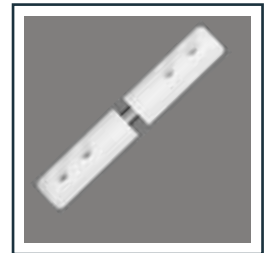
00.TSA011.00.00
Double Window Sliding
Left-Right
Zinc



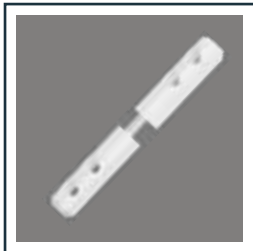
00.TSA012.00.00
Double Door Sliding
Left-Right
Steel



00.ASG001.00.01



00.ASG002.00.01



00.ASG003.00.01



00.ASG004.00.01



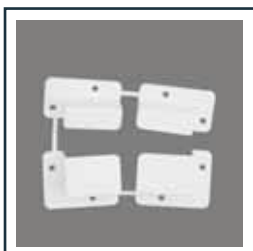
00.ASG005.00.01



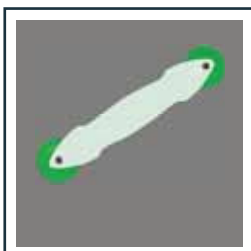
00.ASG006.00.01



00.ASG007.00.01



00.ASG008.00.01



00.ASG024.00.01



00.ASG029.00.01



00.ASG044.00.01 / 10X20
00.ASG030.00.01 / 10X25



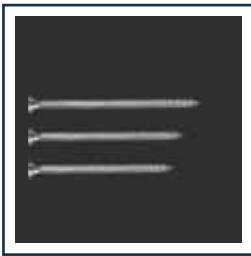
00.ASG031.00.01

Screw Group

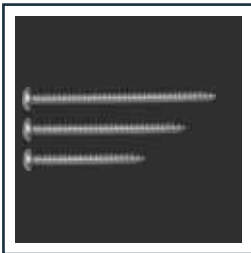
Screw Group



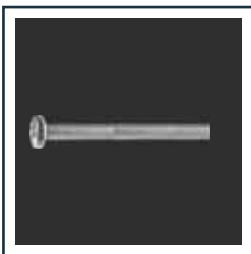
00.AKV475.02.00 / 7,5 x 80
00.AKV475.03.00 / 7,5 x 100
00.AKV475.04.00 / 7,5 x 120
00.AKV475.05.00 / 7,5 x 150
00.AKV475.06.00 / 7,5 x 180
Montage Screw Buldex



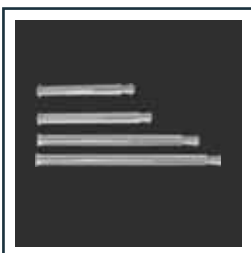
00.AKV560.01.00 / 6 x 60
00.AKV560.02.00 / 6 x 80
00.AKV560.03.00 / 6 x 100
YHB Rare Thread



00.AKV660.01.00 / 6 x 60
00.AKV660.02.00 / 6 x 80
00.AKV660.03.00 / 6 x 100
YSB Rare Thread



00.AKV760.01.00 / M6 x 60
YSB Metric Thread



00.DBL002.00.00 / 80 mm
00.DBL003.00.00 / 100 mm
Steek Anchor





00.IZO001.00.00



00.IZO002.00.00



00.IZO003.00.00



00.THI001.00.00 Thiokol -A
00.THI002.00.00 Thiokol -B



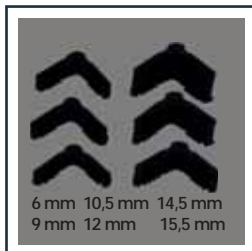
00.TPS010.00.00
Thin Glass Wedge



00.TPS013.00.00
Middle Glass Wedge



00.TPS015.00.00
Glass Wedge / Breakable



00.TCM004.01.00



00.TCM003.01.00



00.TCM020.00.00
Silikagel



00.CNT002.00.00
Gasket Scissors

Other Accessories

- Other Accessories



AIRVENT

00.MNF001.00.00	35 x 40	00.MNF008.00.00	55 x 64
00.MNF002.00.00	40 x 44	00.MNF009.00.00	49 x 68
00.MNF003.00.00	40 x 52	00.MNF010.00.00	58 x 60
00.MNF004.00.00	45 x 48	00.MNF011.00.00	28 x 28
00.MNF005.00.00	45 x 56	00.MNF012.00.00	55 x 56
00.MNF006.00.00	49 x 52	00.MNF013.00.00	30 x 50
00.MNF007.00.00	45 x 64	00.MNF014.00.00	50 x 30



00.TPS020.00.00 / 24 mm
Adjustable Glass Wedge



00.TPS019.00.00 / 18 mm
Adjustable Glass Wedge



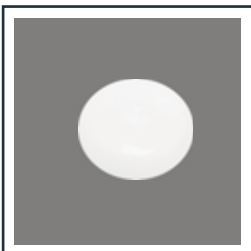
00.TPS018.00.00
Plastic Anchor 8mm



00.TPS016.00.01
Assembly Cover 12mm



00.TPS011.00.01
Drainage Cover



00.TPS012.00.01
Buldex Screw Cover



00.TPS017.00.01
Sash Lifer Check



Retouch Marker



00.TFL001.00.00
Teflon Stickable



00.TFL002.00.00
Teflon Non-Stickable



01.AAA003.00.01
Window Handle
For Fixed Facades
Double Fork Leaf



01.AAA009.00.01
Cremona Handle
Single Fork Leaf



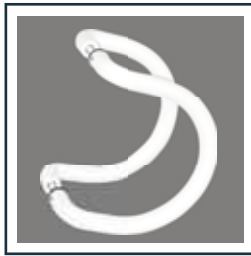
01.AAA021.00.00
Adjustable Latch & Deadbolt
Plate For Euro Groove
Aluminium Profiles

Aluminium Door and Window Accessories

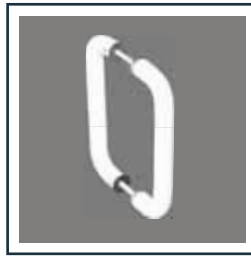
Aluminium Door and Window Accessories



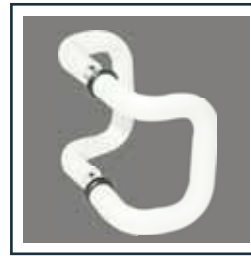
Code	Ø	A
00.AAK100.00.01	25	200
00.AAK101.00.01	25	300
00.AAK102.00.01	25	400
00.AAK104.00.01	30	300
00.AAK105.00.01	30	400



Code	Ø	A
00.AAK200.00.01	25	200
00.AAK201.00.01	25	300
00.AAK203.00.01	30	300



Code	Ø	A
00.AAK300.00.01	25	200
00.AAK301.00.01	30	200



00.AAK402.00.01



00.AAK403.00.01



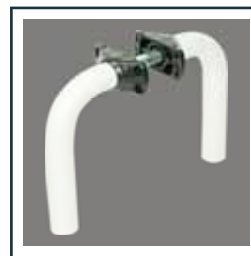
00.AAK412.00.01



00.AAK400.00.01



00.AAK401.00.01



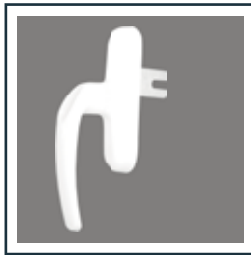
00.AAK404.00.01



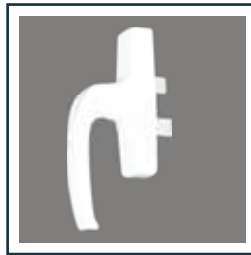
00.AAK405.00.01



00.AAK406.00.01



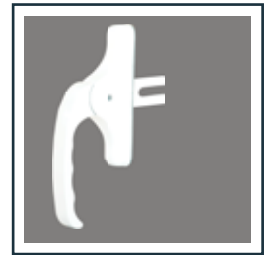
00.AAK407.00.01



00.AAK408.00.01



00.AAK409.00.01



00.AAK410.00.01



00.AAK411.00.01



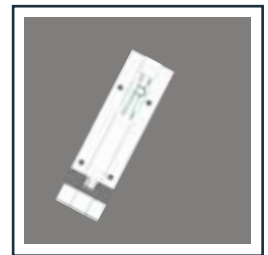
00.AAK500.00.01



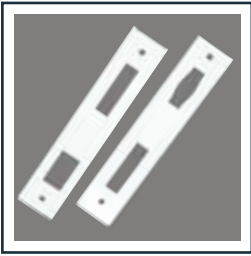
00.AAK501.00.01



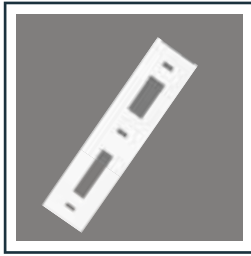
00.AAK502.00.01



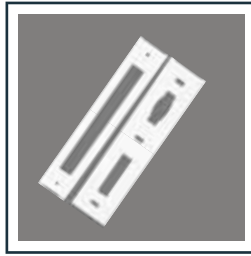
00.AAK503.00.01



00.AAK600.00.01
00.AAK601.00.01



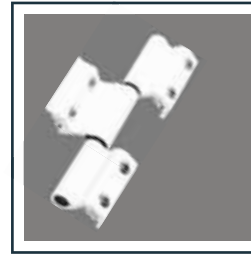
00.AAK602.00.01



00.AAK603.00.01



00.AAK704.00.01



00.AAK705.00.01



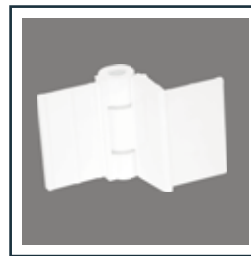
00.AAK700.00.01



00.AAK701.00.01



00.AAK702.00.01



00.AAK708.00.01



00.AAK706.00.01



00.AAK800.00.01



00.AAK801.00.01



00.AAK802.00.01



00.AAK803.00.01



00.AAK900.00.01



00.AAK904.00.01



00.AAK901.00.01



00.AAK905.00.01



00.AAK902.00.01

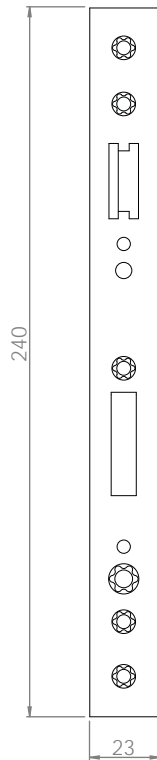
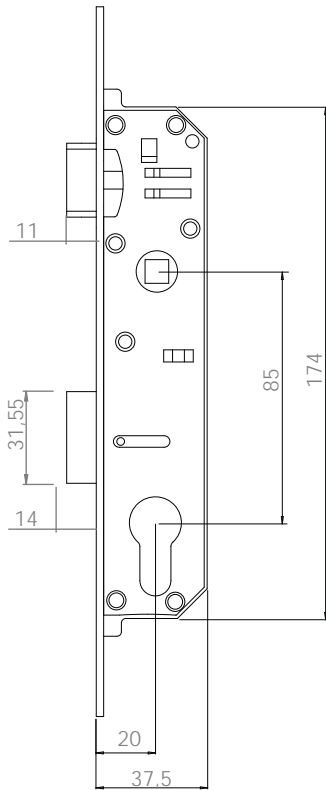




00.AAK903.00.01

Mortice Locks For Aluminium

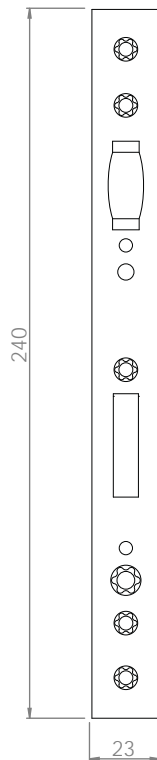
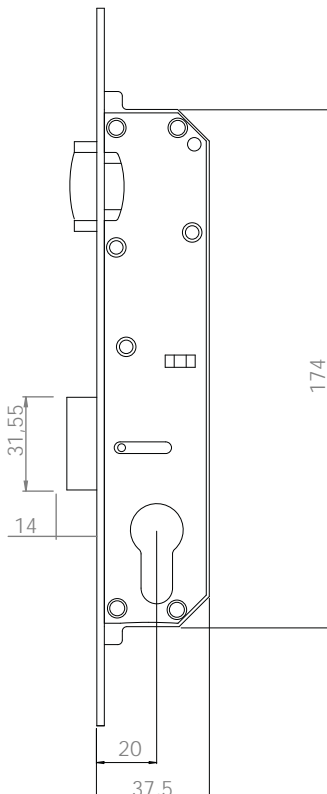
- Plastic Lock Case - Metal Cover Locks



- PZ: 85 mm Backset: 20 mm



	Qty. 	Kg
01.KIL011.00.00	40	9,50

- Backset: 20 mm





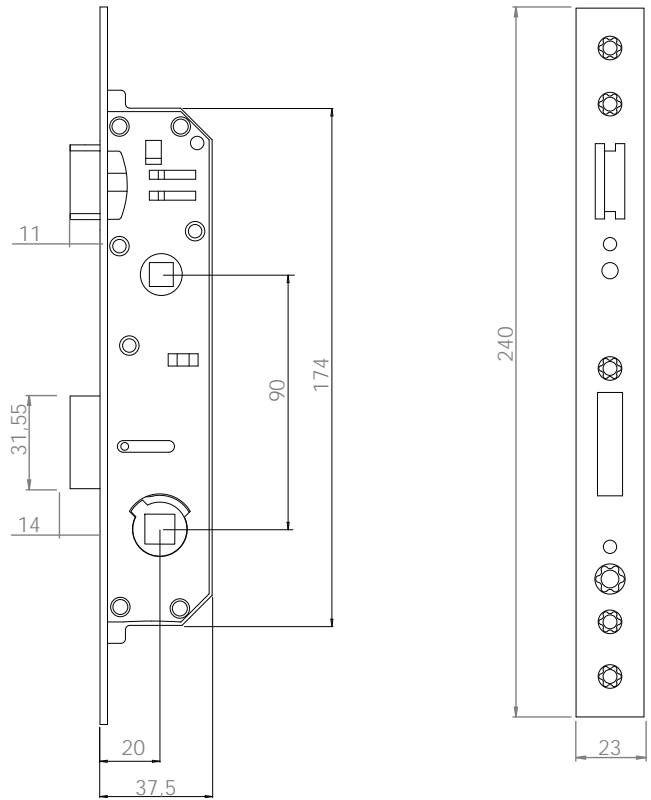
	Qty. 	Kg
01.KIL013.00.00	40	12,50

Mortice Locks For Aluminium



Plastic Lock Case - Metal Cover Locks

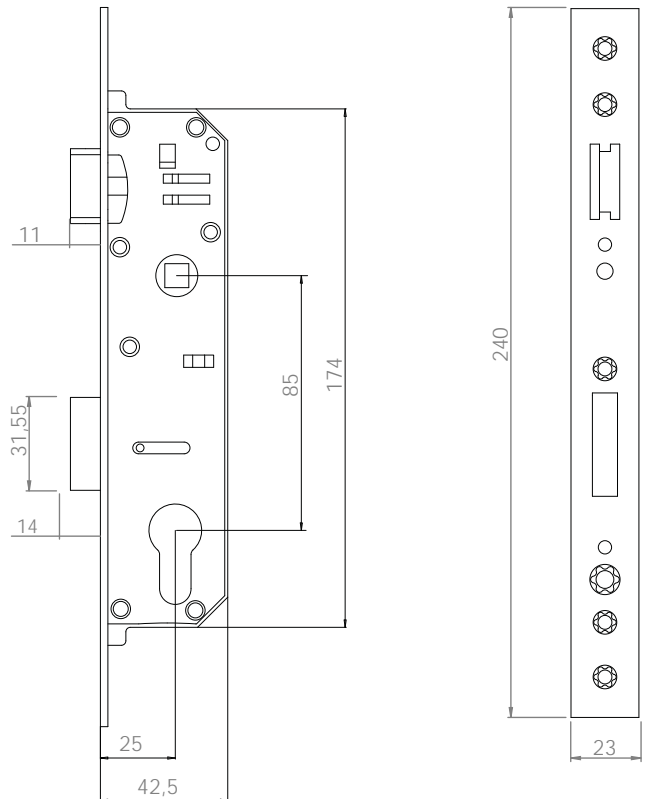
PZ: 90 mm Backset: 20 mm

	Qty. 	Kg
01.KIL039.00.00	40	-



PZ: 85 mm Backset: 25 mm

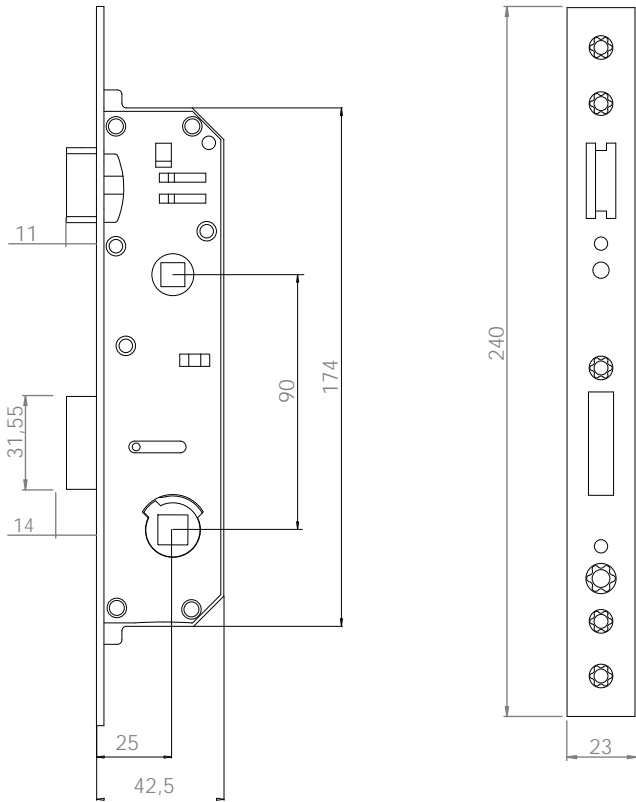
	Qty. 	Kg
01.KIL012.00.00	40	13,00





Mortice Locks For Aluminium

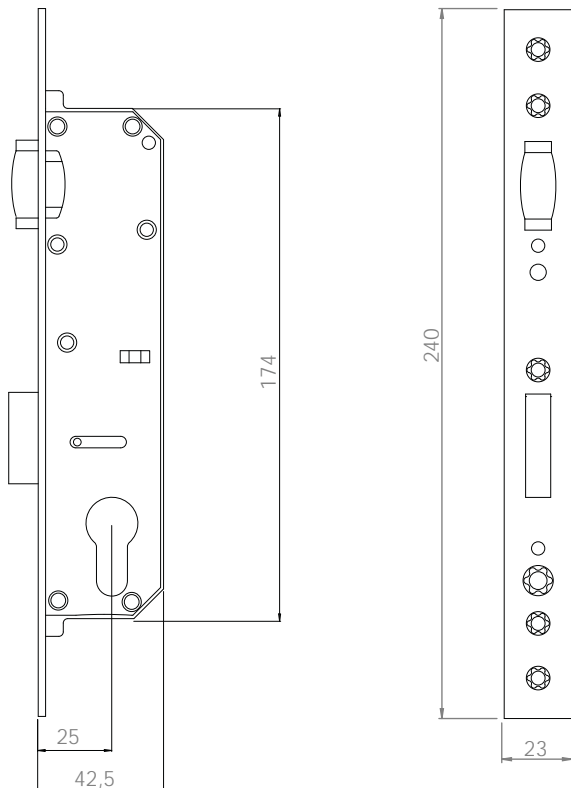
- Plastic Lock Case - Metal Cover Locks



- PZ: 90 mm Backset: 25 mm



	Qty. 	Kg
01.KIL037.00.00	40	-

- Backset: 25 mm





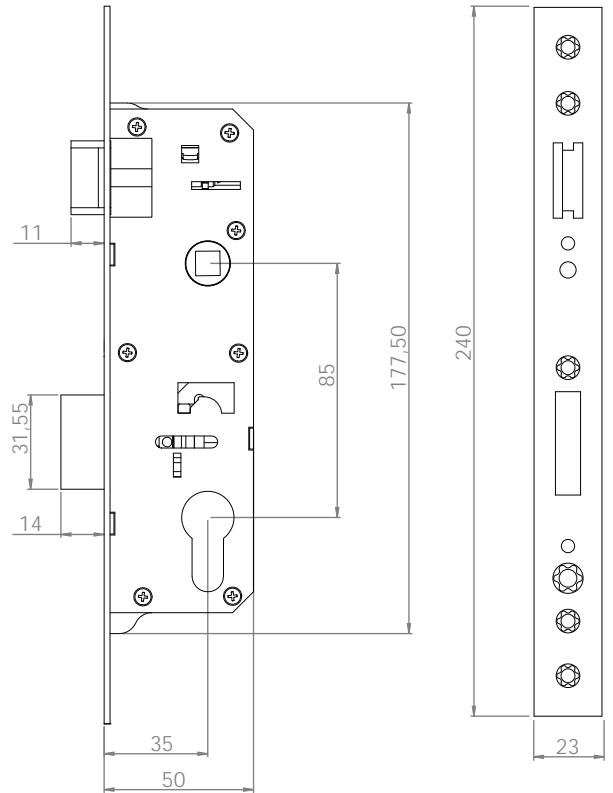
	Qty. 	Kg
01.KIL014.00.00	40	112,50

Mortice Locks For Aluminium



Plastic Lock Case - Metal Cover Locks ●

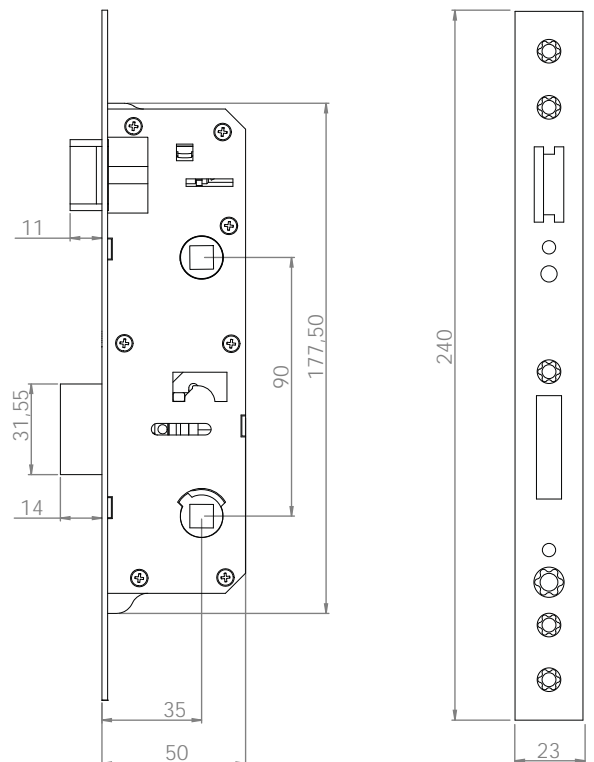
PZ: 85 mm Backset: 35 mm ●

	Qty. 	Kg
01.KIL038.00.00	40	-



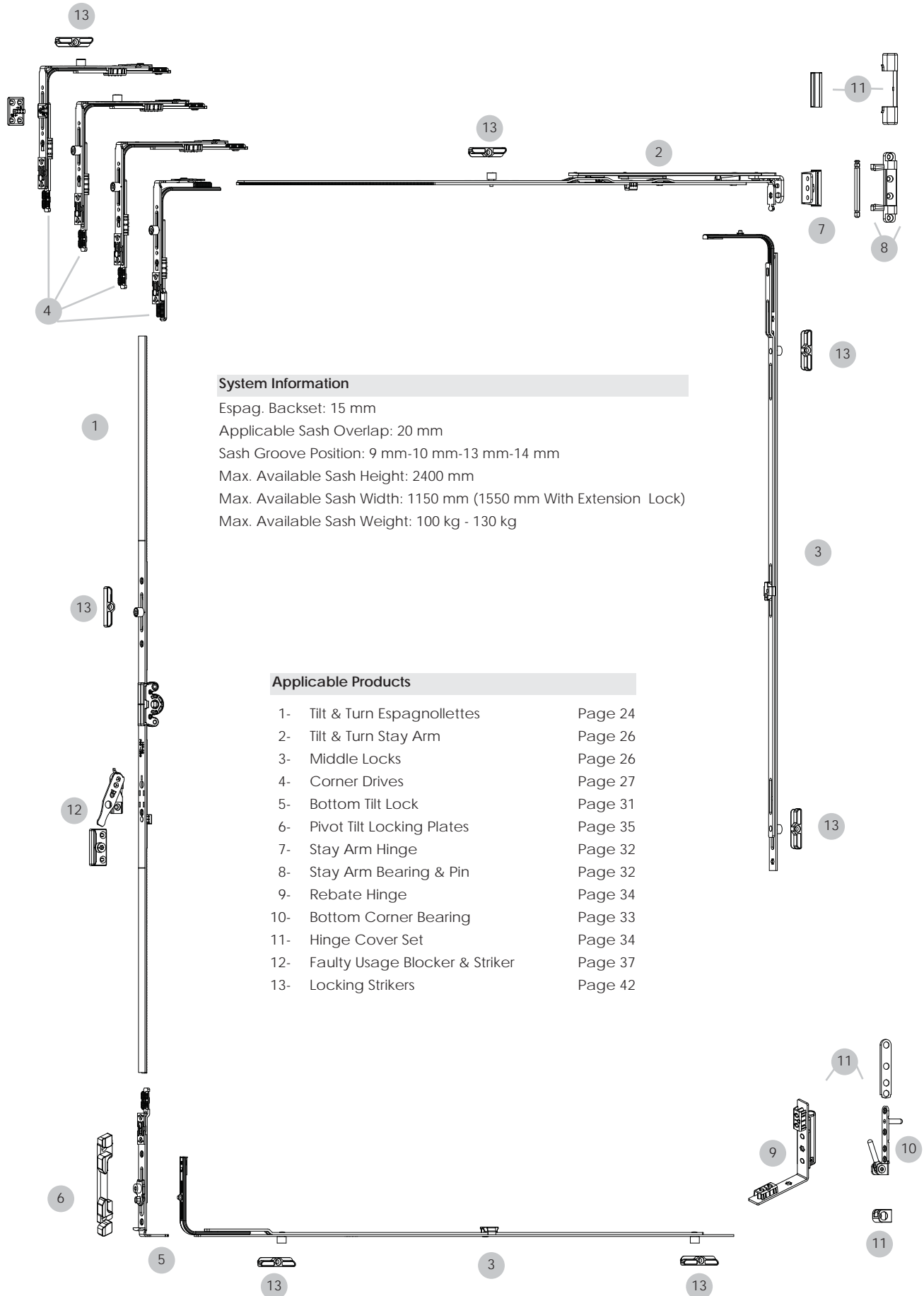
PZ: 90 mm Backset: 35 mm ●

	Qty. 	Kg
01.KIL036.00.00	40	112,50



Tilt And Turn Systems For Aluminium

15 mm Backset

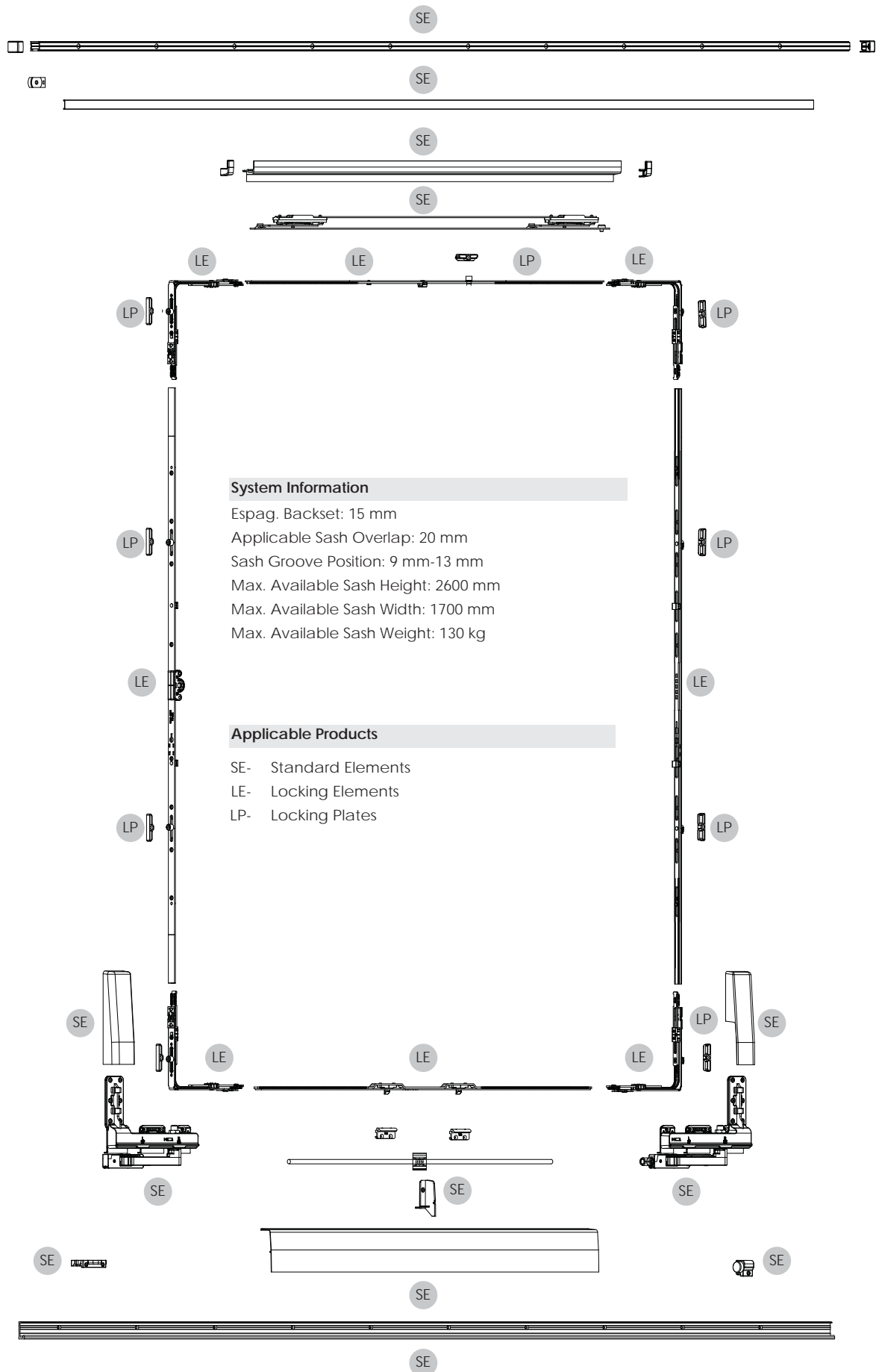


System Information

Espag. Backset: 15 mm
 Applicable Sash Overlap: 20 mm
 Sash Groove Position: 9 mm-10 mm-13 mm-14 mm
 Max. Available Sash Height: 2400 mm
 Max. Available Sash Width: 1150 mm (1550 mm With Extension Lock)
 Max. Available Sash Weight: 100 kg - 130 kg

Applicable Products

1- Tilt & Turn Espagnollettes	Page 24
2- Tilt & Turn Stay Arm	Page 26
3- Middle Locks	Page 26
4- Corner Drives	Page 27
5- Bottom Tilt Lock	Page 31
6- Pivot Tilt Locking Plates	Page 35
7- Stay Arm Hinge	Page 32
8- Stay Arm Bearing & Pin	Page 32
9- Rebate Hinge	Page 34
10- Bottom Corner Bearing	Page 33
11- Hinge Cover Set	Page 34
12- Faulty Usage Blocker & Striker	Page 37
13- Locking Strikers	Page 42



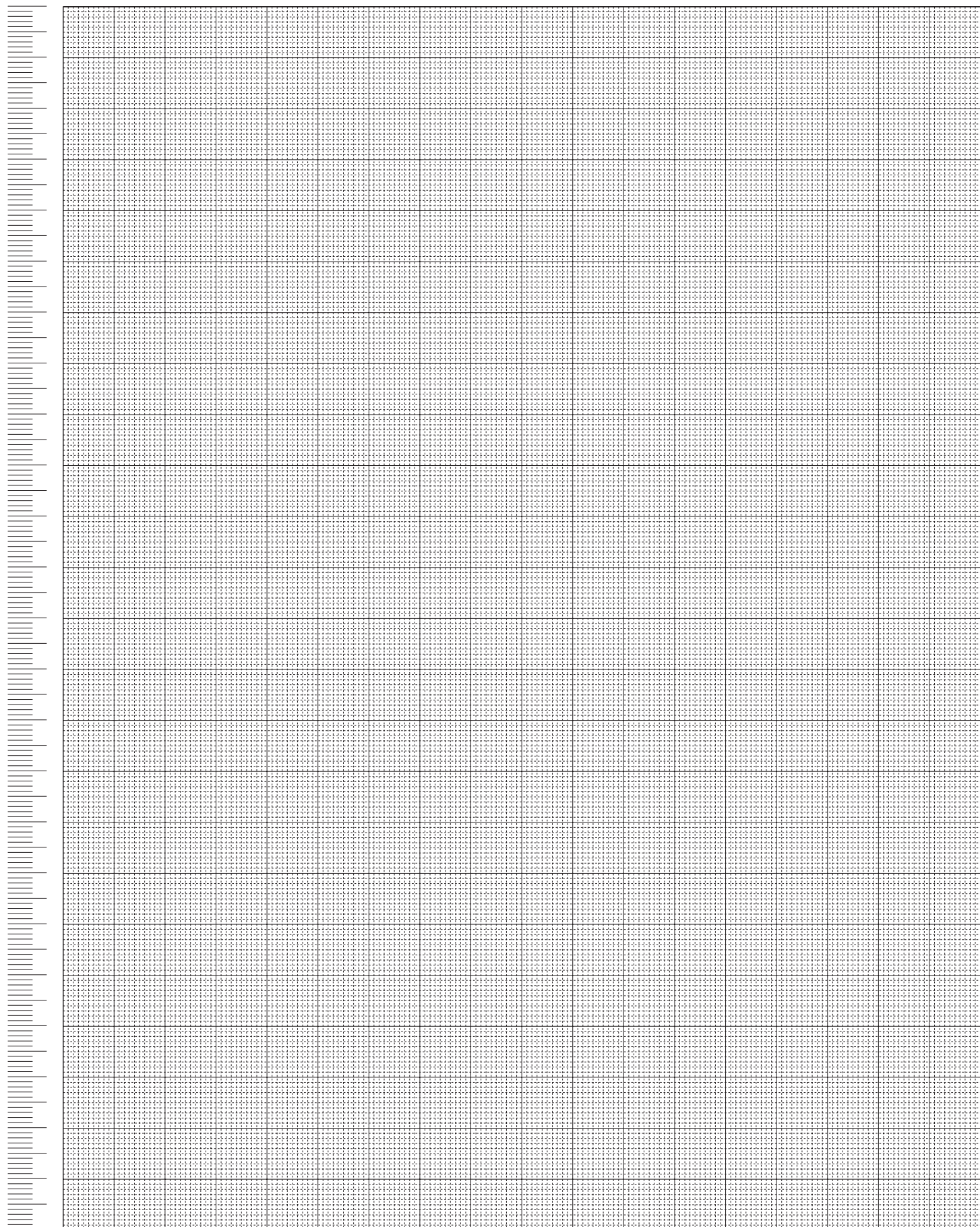
System Information

Espag. Backset: 15 mm
 Applicable Sash Overlap: 20 mm
 Sash Groove Position: 9 mm-13 mm
 Max. Available Sash Height: 2600 mm
 Max. Available Sash Width: 1700 mm
 Max. Available Sash Weight: 130 kg

Applicable Products

- SE- Standard Elements
- LE- Locking Elements
- LP- Locking Plates

Subject:





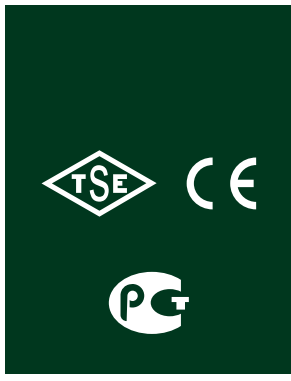
akpen[®]
New Line

“SALES POINTS”



30 *years*

www.akpennew.com



AKPEN PLASTİK PENNCERE
AKSESUARLARI NAKLİYE
SAN. İÇ VE DIŞ TİC. A.Ş.

[f facebook.com/akpennew](https://facebook.com/akpennew)
[@ instagram.com/akpennew](https://instagram.com/akpennew)
[@ info@akpennew.com](mailto:info@akpennew.com)
www.akpennew.com

Hadımköy Mah.Uçurtma Sk No:6
34555 Arnavutköy İSTANBUL TÜRKİYE
T:+90212 798 3434 F:+90212 798 3528

